

J115F1E, J115F2E, J115F3E

E197852

21.5 x 15.8 x 16.5 mm



Features

- 30A economical version
- Small size and light weight, low coil power consumption
- Heavy contact load, strong shock and vibration resistance

Contact Data

TÜV Contact Rating N.O. N.C.	30A @ 240VAC; 14VDC	Contact Resistance	< 30 milliohms initial
	20A @ 240VAC; 14VDC	Contact Material	AgSnO ₂ , AgCdO
UL Contact Rating N.O. N.C.	30A @ 240VAC Resistive	Maximum Switching Power	1120W, 9600VA
	20A @ 240VAC Resistive	Maximum Switching Voltage	277VAC, 110VDC
Contact Arrangement	1A = SPST N.O. 1B = SPST N.C. 1C = SPST N.O.	Maximum Switching Current	30A

Coil Data DC Parameters

Coil Voltage VDC		Coil Resistance Ω +/- 10%		Pick Up Voltage VDC (max)	Release Voltage VDC (min)	Coil Power W	Operate Time ms	Release Time ms
Rated	Max	.6W	.9W	75% of rated voltage	10% of rated voltage			
3	3.9	15	10	2.25	.3	.60 .90	15	10
5	6.5	42	28	3.75	.5			
6	7.8	60	40	4.50	.6			
9	11.7	135	90	6.75	.9			
12	15.6	240	160	9.00	1.2			
15	19.5	375	250	10.25	1.5			
18	23.4	540	360	13.50	1.8			
24	31.2	960	640	18.00	2.4			
48	62.4	3840	2560	36.00	4.8			
110	140.3	20167	13445	82.50	11.0			

General Data

Electrical Life @ rated load	100K cycles, typical	
Mechanical Life	10M cycles, typical	
Insulation Resistance	100M Ω min. @ 500VDC	
Dielectric Strength,	Coil to Contact	4000V rms min. @ sea level (H = high dielectric strength option)
	Contact to Contact	2500V rms min. @ sea level 1500V rms min. @ sea level
Shock Resistance	200m/s ² for 11 ms	
Vibration Resistance	1.50mm double amplitude 10~40Hz	
Terminal (Copper Alloy) Strength	10N	
Operating Temperature	-55°C to +125°C F Class	-40°C to +85°C B Class
Storage Temperature	-55°C to +155°C F Class	-40°C to +115°C B Class
Solderability	260°C for 5 s	
Weight	37g	

Dimensions shown in mm. Dimensions are shown for reference purposes only.

Specifications and availability subject to change without notice.

J115F1E, J115F2E, J115F3E

Ordering Information

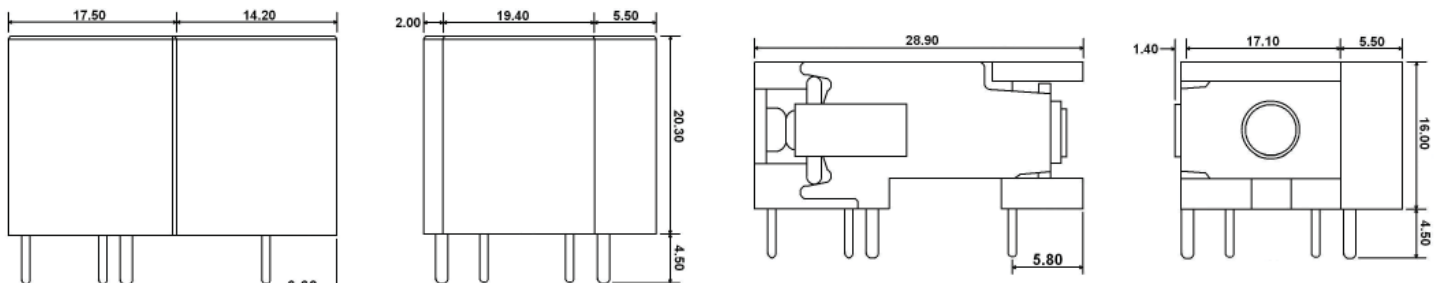
1. Series	J115F3E	1A	S	12D	S	X	.9	B	C
J115F1E (PC terminals only) J115F2E (PC and quick connect terminals) J115F3E (quick connect terminals only)									
2. Contact Arrangement									
1A = SPST N.O. 1B = SPST N.C. 1C = SPDT									
3. Profile									
S = Standard Profile L = Low Profile *J115F2E & J115F3E styles only N = No cover *J115F1E & J115F2E styles only									
4. Coil Voltage									
3D = 3VDC 5D = 5VDC 6D = 6VDC 9D = 9VDC 12D = 12VDC 15D = 15VDC 18D = 18VDC 24D = 24VDC 48D = 48VDC 110D = 110VDC									
5. Sealing Option									
S = Sealed X = No cover, non-sealed									
6. High Dielectric Strength Option									
X = Standard dielectric strength H = High dielectric strength *J115F1E style only									
7. Coil Power									
.9 = .9W DC Coil .6 = .6W DC Coil									
8. Insulation									
B = B Class F = F Class									
9. Contact Material									
Z = AgSnO ₂ C = AgCdO									

Specifications and availability subject to change without notice.

Dimensions shown in mm. Dimensions are shown for reference purposes only.

Dimensions - J115F1E

Units = mm



S = Standard Profile

N = No Cover

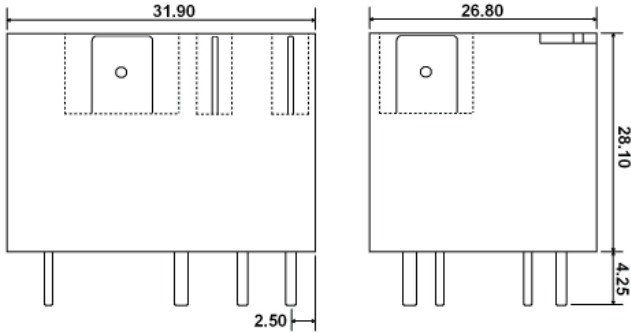
J115F1E, J115F2E, J115F3E

E197851

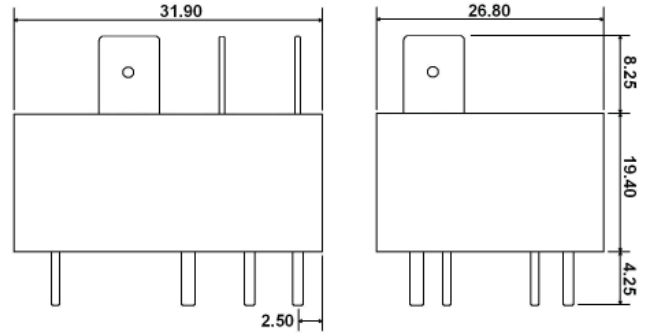
21.5 x 15.8 x 16.5 mm

Dimensions - J115F2E

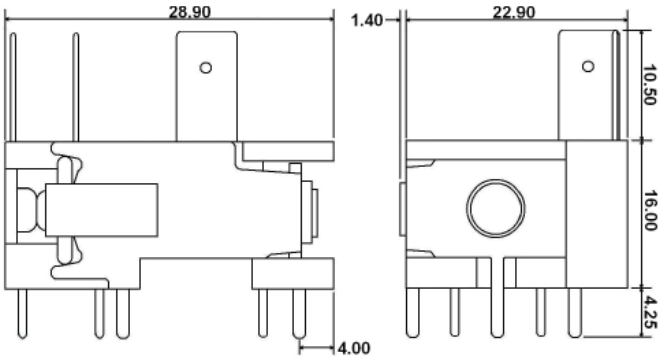
Units = mm



S = Standard Profile



L = Low Profile

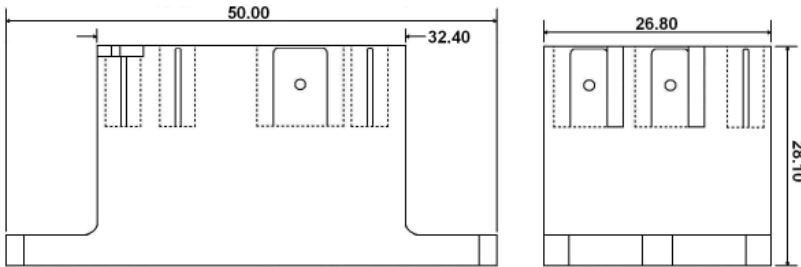


N = No Cover

**** Quick Connect Terminals :
 Contacts - 6.35 x .81mm (.250" x .032")**

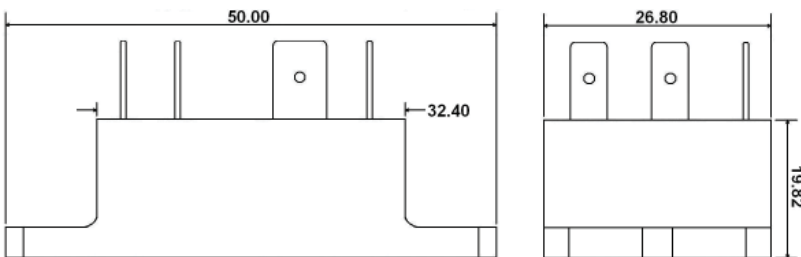
Dimensions - J115F3E

Units = mm



S = Standard Profile

**** Quick Connect Terminals :
 Contacts - 6.35 x .81mm (.250" x .032")
 Coil - 4.75 x .50mm (.187" x .020")**



L = Low Profile

**** Quick Connect Terminals :
 Contacts - 6.35 x .81mm (.250" x .032")
 Coil - 4.75 x .50mm (.187" x .020")**

Dimensions shown in mm. Dimensions are shown for reference purposes only.

Specifications and availability subject to change without notice.

J115F1E, J115F2E, J115F3E

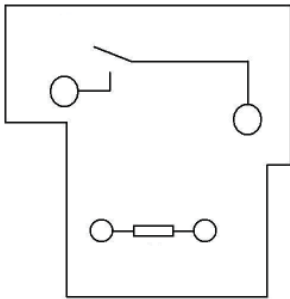
21.5 x 15.8 x 16.5 mm

E197851

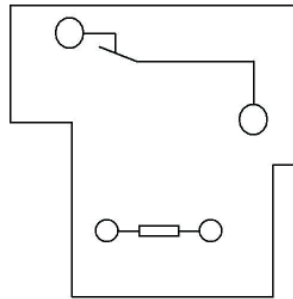
Schematics, PC Layouts & Panel Layouts

J115F1E

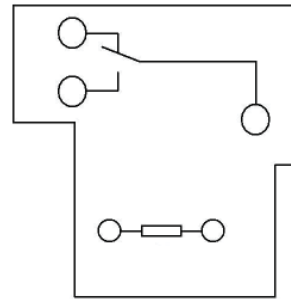
Bottom View



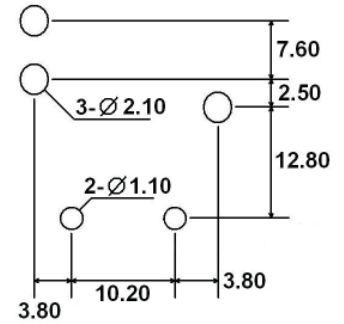
1A



1B

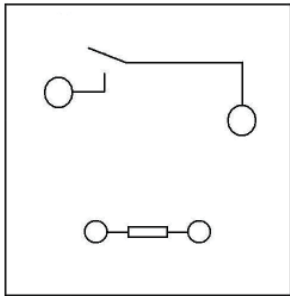


1C

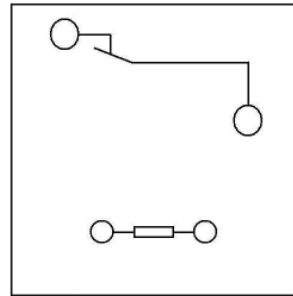


J115F2E

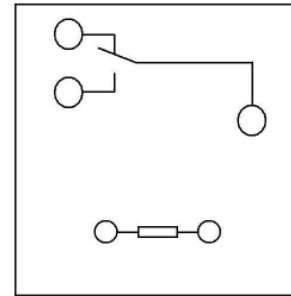
Bottom View



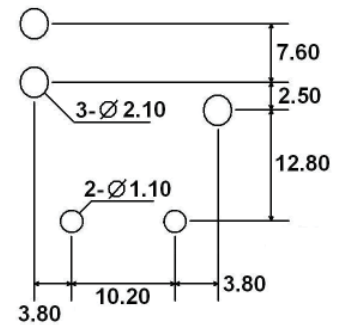
1A



1B

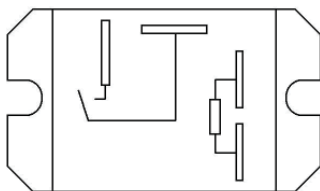


1C

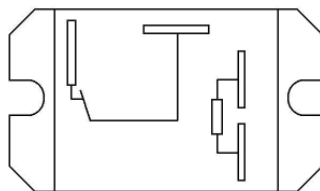


J115F3E

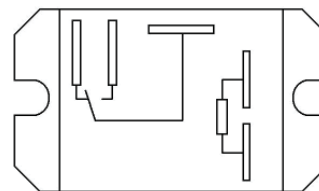
Top View



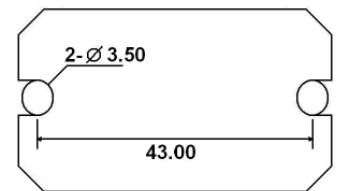
1A



1B



1C



Specifications and availability subject to change without notice.

Dimensions shown in mm. Dimensions are shown for reference purposes only.