

SPECIFICATIONS

Electrical Ratings	2A @ 36VDC; 1A @ 125VAC, 0.5A @ 250VAC
Electrical Life	50,000 cycles typical
Contact Resistance	< 50 mΩ initial
Actuation Force	16mm - 500 +/- 100gF; 19mm - 750 +/- 100gF
Actuator Travel	16mm - 1.6 +/- .25mm; 19mm - 2.0 +/- .25mm
Dielectric Strength:	2000Vrms min (contact to contact)
Insulation Resistance	>100MΩ min
Sealing	IP65
Operating Temperature	-25°C to 55°C
Storage Temperature	-25°C to 55°C



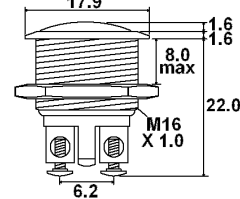
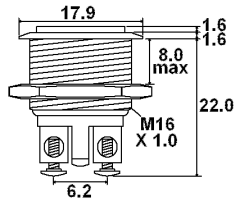
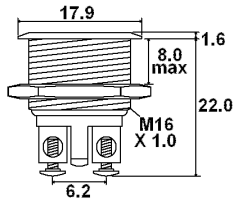
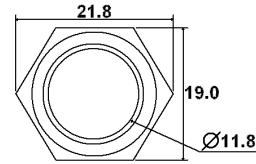
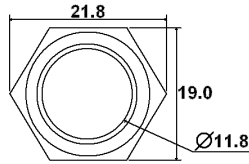
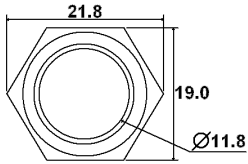
MATERIALS ←RoHS COMPLIANT

Actuator	Stainless Steel, Brass (Nickel or Gold plated), Aluminum (Black Anodized)
Threaded Body	Stainless Steel, Brass (Nickel or Gold plated), Aluminum (Black Anodized)
Nut	Stainless Steel, Brass (Nickel or Gold plated), Aluminum (Black Anodized)
Terminal Support	PBT
Contacts	Silver Alloy
Terminals	Brass, Nickel plated

ORDERING INFORMATION

1. Series:	BH	16	N	R	S	Z
BH						
2. Switch Body Diameter:						
16 = 16mm						
19 = 19mm						
3. Switch Function:						
N = Momentary						
4. Actuator Style:						
M = Round						
F = Flush						
R = Raised						
B = Flush – Ring Illuminated	**only available in 16mm diameter (for 19mm illuminated, see AH series)					
C = Flush – Dot Illuminated	**only available in 16mm diameter (for 19mm illuminated, see AH series)					
5. Switch Finish:						
B = Black Anodized Aluminum						
S = Brushed Stainless Steel						
N = Nickel Plated Brass						
P = Gold Plated Brass						
6. Terminal Options:						
Z = Screw Terminal						
B = Solder Lugs	**illuminated versions only available with solder lugs					
7. LED Color:	**only available in 16mm diameter					
X = No LED	RO = Red/Orange dual LED	YG = Yellow/Green dual LED				
R = Red	RY = Red/Yellow dual LED	YB = Yellow/Blue dual LED				
Y = Yellow	RG = Red/Green dual LED	GB = Green/Blue dual LED				
G = Green	RB = Red/Blue dual LED					
B = Blue	OY = Orange/Yellow dual LED					
W = White	OG = Orange/Green dual LED					
O = Orange	OB = Orange/Blue dual LED					

DIMENSIONS – 16mm

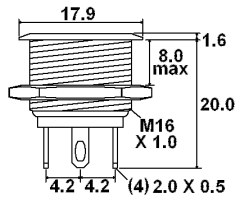
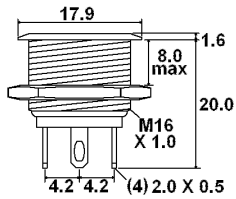
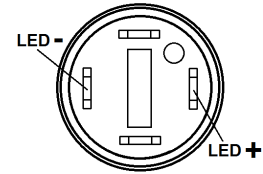
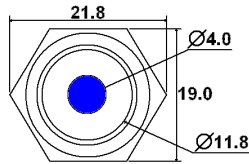
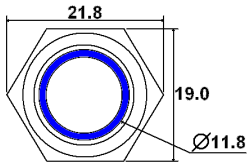


F

R

M

DIMENSIONS – 16mm ILLUMINATED

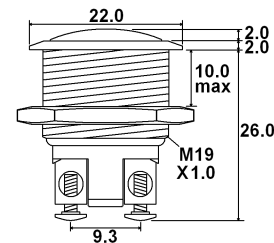
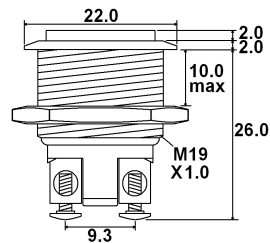
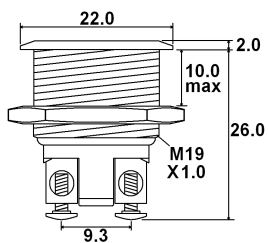
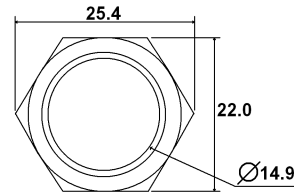
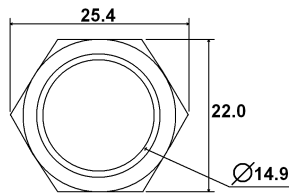
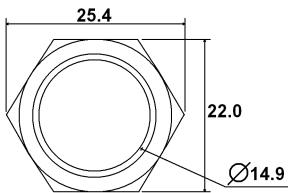


B

C

BOTTOM VIEW

DIMENSIONS – 19mm

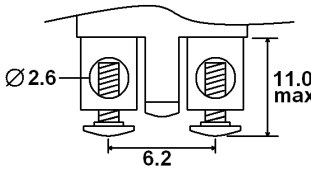
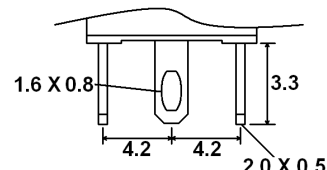
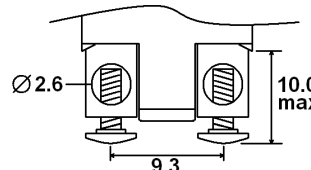
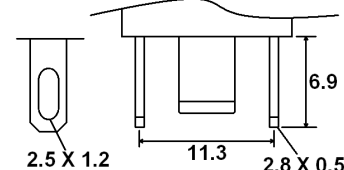


F

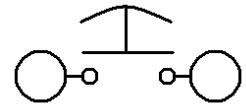
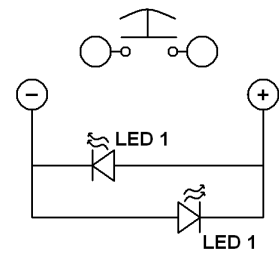
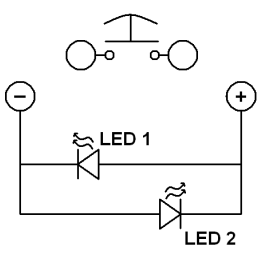
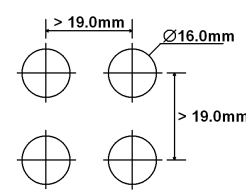
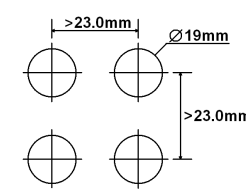
R

M

TERMINALS

16mm		19mm	
			
Z – SCREW TERMINAL	B – SOLDER LUG	Z – SCREW TERMINAL	B – SOLDER LUG

SCHEMATICS & PANEL CUT OUTS

				
SPST	SPST w/ LED	SPST w/ Dual LED	16mm	19mm

LED CHARACTERISTICS

LED Ratings		COLORS							Units
		R	Y	G	B	O	W		
Reverse Voltage	V_R	5	5	5	5	5	5	V	
Forward Current (avg)	I_F	25	25	30	30	25	30	mA	
Forward Current (peak)	I_{FS}	120	120	160	160	120	160	mA	
Reverse Current $V_R = 5V$	I_R	10	10	10	10	10	10	μA	
Power Dissipation	P_T	80	80	120	120	80	120	mW	
Operating & Storage Temperature	T_A	-40~ +85						$^{\circ}C$	
Forward Voltage (typ.), $I_F = 20mA$	V_F	2.1	2.1	3.3	3.3	2.0	3.0	V	
Forward Voltage (max.), $I_F = 20mA$	V_F	2.4	2.5	3.6	3.6	2.3	3.6	V	
Wavelength at Peak Emmission, $I_F = 20mA$	λ_P	635	592	516	463	606	N/A	nm	
Spectral Line Half-Width, $I_F = 20mA$	$\Delta\lambda$	14	12	28	20	12	N/A	nm	
Luminous Intensity, $I_F = 20mA$	LI	120	120	170	100	120	700	mcd	
Viewing Angle	Θ	145	145	145	145	145	145	Deg	