



RoHS Compliant

J105

E197852

18.5 x 10.2 x 15.8 mm

Features

- Switching capacity up to 10A
- Small size and light weight
- Low coil power consumption
- High contact load

Contact Data

Contact Arrangement	1A = SPST N.O. 1C = SPDT	Contact Resistance	< 50 milliohms initial
Contact Rating	4.2A @ 277VAC 5A @ 250VAC 10A @ 125VAC Resistive 1/4hp, 120/250/277VAC TV-5, 120VAC Pilot Duty C150	Contact Material	AgSnO ₂
		Maximum Switching Power	150W, 125VA
		Maximum Switching Voltage	277VAC, 30VDC
		Maximum Switching Current	10A

Coil Data

Coil Voltage VDC		Coil Resistance Ω +/- 10%	Pick Up Voltage VDC (max) 75% of rated voltage	Release Voltage VDC (min) 10% of rated voltage	Coil Power W	Operate Time ms	Release Time ms
Rated	Max						
		.45W			.45	10	10
3	3.9	20	2.25	.3			
5	6.5	55	3.75	.5			
6	7.8	80	4.50	.6			
9	11.7	180	6.75	.9			
12	15.6	320	9.00	1.2			
18	22.8	720	13.50	1.8			
24	31.2	1280	18.00	2.4			
48	62.4	5120	36.00	4.8			

General Data

Electrical Life @ rated load	100K cycles, typical
Mechanical Life	10M cycles, typical
Insulation Resistance	100M Ω min. @ 500VDC
Dielectric Strength, Coil to Contact Contact to Contact	4000V rms min. @ sea level 1000V rms min. @ sea level
Shock Resistance	100m/s ² for 11 ms
Vibration Resistance	1.50mm double amplitude 10~40Hz
Terminal (Copper Alloy) Strength	10N
Operating Temperature	-40°C to +85°C
Storage Temperature	-40°C to +155°C
Solderability	260°C for 5 s
Weight	9.5g

Caution
1. The use of any coil voltage less than the rated coil voltage may compromise the operation of the relay.

Specifications and availability subject to change without notice.

Dimensions shown in mm. Dimensions are shown for reference purposes only.

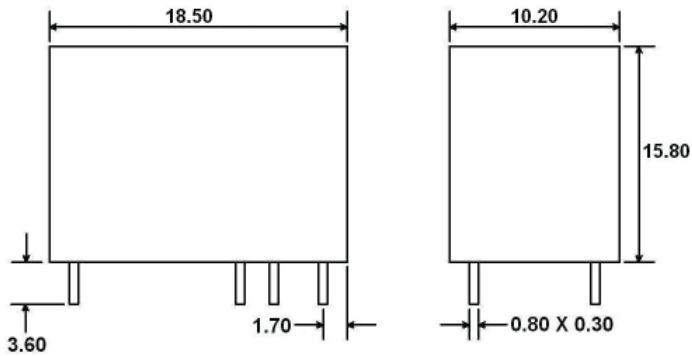
J105

Ordering Information

1. Series	J105	1C	9VDC	.45
J105				
2. Contact Arrangement				
1A = SPST N.O.				
1C = SPDT				
3. Coil Voltage				
3VDC				
5VDC				
6VDC				
9VDC				
12VDC				
18VDC				
24VDC				
48VDC				
4. Coil Power				
.45 = .45W				
5. Sealing Option				
Blank = Sealed (standard)				

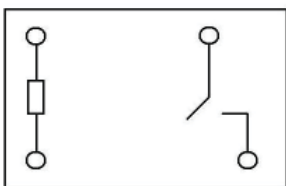
Dimensions

Units = mm

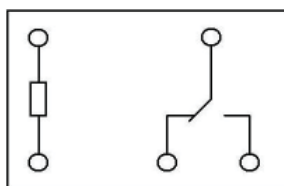


Schematics & PC Layouts

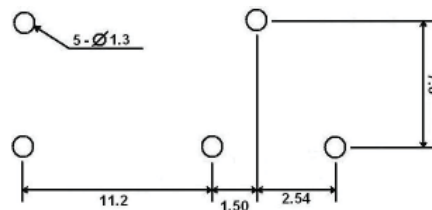
Bottom Views



1A



1C



Dimensions shown in mm. Dimensions are shown for reference purposes only.

Specifications and availability subject to change without notice.