



RoHS Compliant

CS1211

Surface Mount Tactile

Specifications

Electrical Ratings	50mA @ 50VDC
Electrical Life	100,000 cycles typical
Contact Resistance	≤ 50mΩ initial
Actuation Force	180gF ± 50gF
Actuation Travel	.25 ± 0.1mm

Dielectric Strength	250Vrms min
Insulation Resistance	≥ 100MΩ min
Operating Temperature	-40°C to +85°C
Storage Temperature	-40°C to +85°C

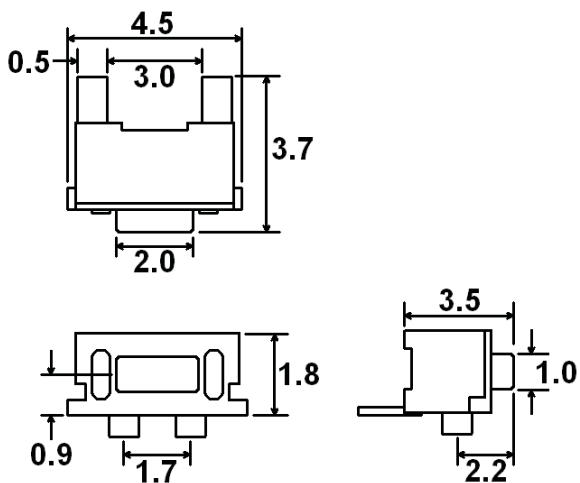
Materials

Actuator	4/6 Nylon
Housing	4/6 Nylon
Cover	Stainless Steel
Contacts	Stainless Steel, Silver Plated
Terminals	Brass, Silver Plated

Ordering Information

1. Series	CS1211
	CS1213

Dimensions



Schematic & PC Layout

