

SPECIFICATIONS

| | |
|-----------------------|------------------------|
| Electrical Ratings | 50mA @ 50VDC |
| Electrical Life | 100,000 cycles typical |
| Contact Resistance | < 50 mΩ initial |
| Actuation Force | 180+/- 50gF |
| Actuator Travel | .30 +/- .15mm |
| Dielectric Strength | 250Vrms min |
| Insulation Resistance | > 100MΩ min |
| Operating Temperature | -40°C to 85°C |
| Storage Temperature | -40°C to 85°C |



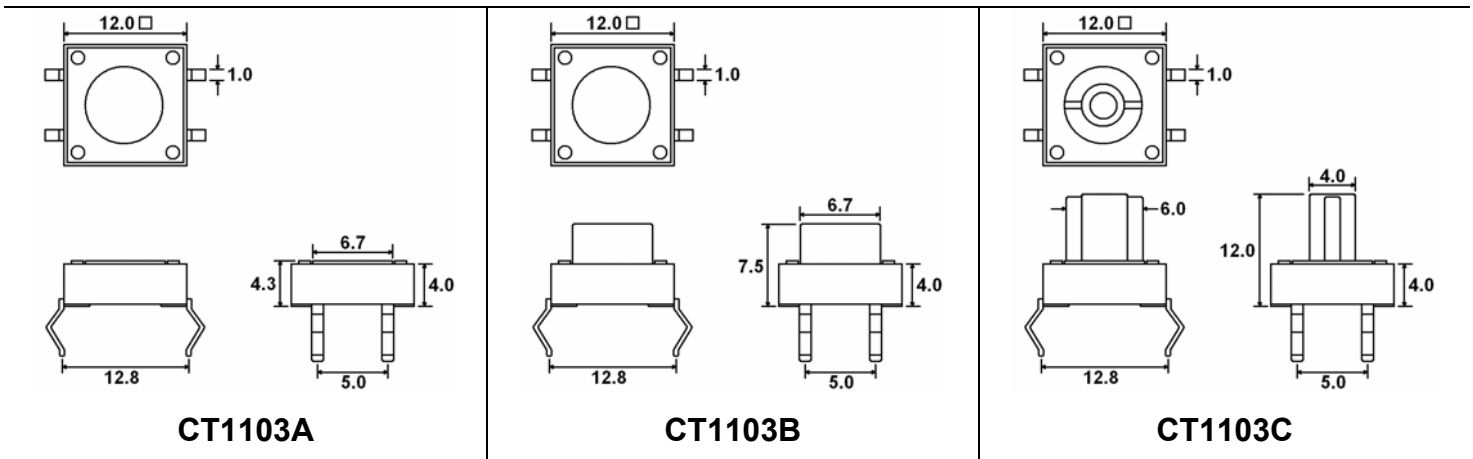
MATERIALS ←RoHS COMPLIANT

| | |
|-----------|--------------------------------|
| Actuator | 6/6 Nylon |
| Housing | 6/6 Nylon |
| Cover | Stainless Steel |
| Contacts | Phosphor Bronze, Silver Plated |
| Terminals | Brass, Silver Plated |

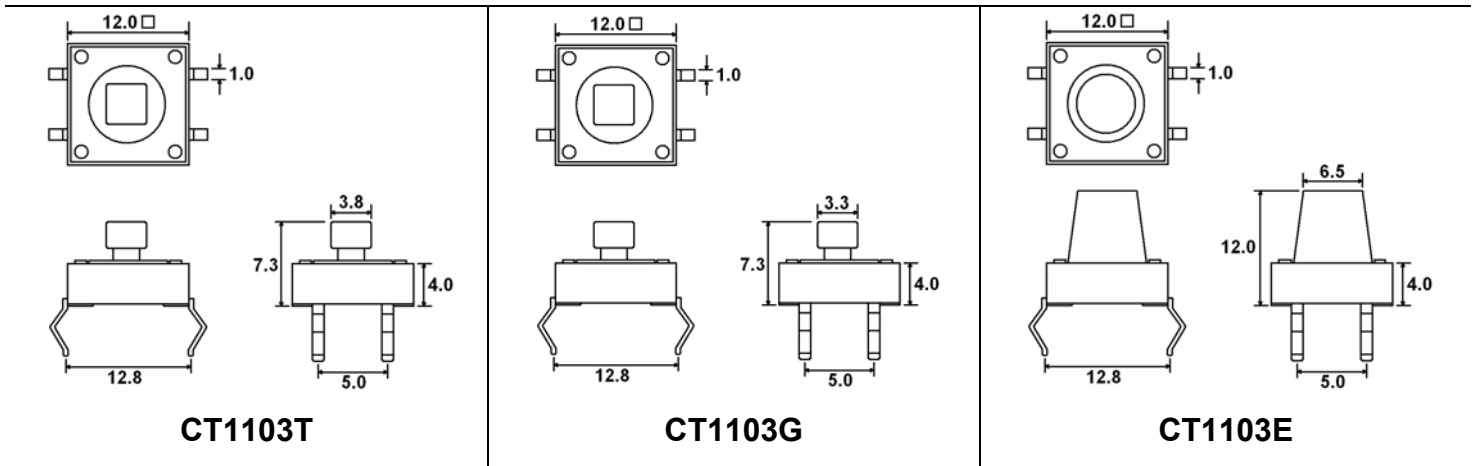
ORDERING INFORMATION

| | | | | |
|-----------------------------|--------------------|--|-------------|-------------|
| 1. Series: | CT1103 | G | F180 | C141 |
| CT1103 | | | | |
| 2. Actuator Options: | | | | |
| A | | | | |
| B | | | | |
| C | | | | |
| T | | | | |
| G | | | | |
| E | | | | |
| 3. Actuation Force: | | | | |
| F180 = 180gF | | | | |
| 4. Caps: | Cap Colors: | | | |
| Blank = No Cap | C19 | **See Cap Options for color availability ** Caps available with G actuator only | | |
| C11 | C22 | | | |
| C12 | C26 | | | |
| C13 | C27 | | | |
| C16 | C28 | | | |
| C18 | | | | |

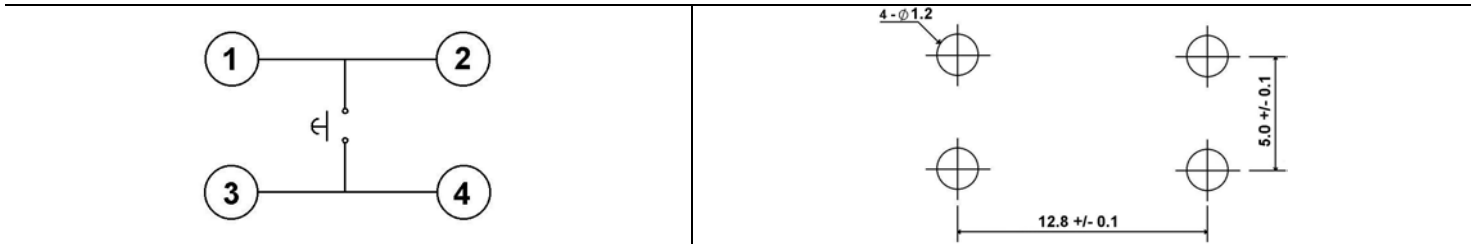
DIMENSIONS



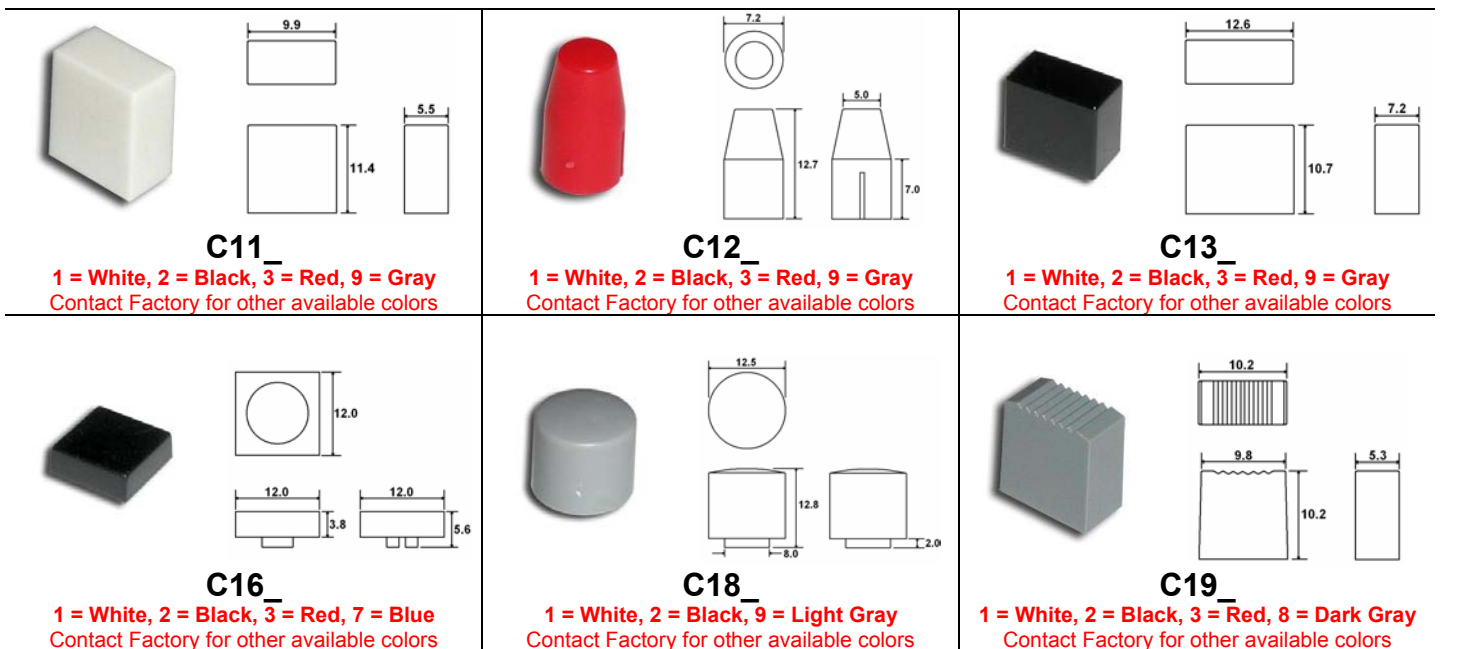
DIMENSIONS



SCHEMATIC & PC LAYOUT



CAP OPTIONS ← FOR G ACTUATOR



CAP OPTIONS ←FOR G ACTUATOR

| | | |
|---|---|---|
| <p>3D view of a light gray rectangular component. Dimensions: top width 5.5, height 8.8, bottom width 5.0.</p> <p>C22_ 2 = Black, 8 = Dark Gray, 9 = Light Gray Contact Factory for other available colors</p> | <p>3D view of a light gray rectangular component. Dimensions: top width 12.0, height 11.0, bottom width 5.7.</p> <p>C26_ 1 = White, 2 = Black, 3 = Red, 9 = Light Gray Contact Factory for other available colors</p> | <p>3D view of a black square component. Dimensions: top width 8.0, height 8.0, bottom width 8.0, bottom height 5.0.</p> <p>C27_ 1 = White, 2 = Black, 3 = Red, 8 = Dark Gray Contact Factory for other available colors</p> |
| <p>3D view of a black rectangular component. Dimensions: top width 11.0, height 4.0, bottom width 5.0, bottom height 5.0.</p> <p>C28_ 1 = White, 2 = Black, 3 = Red, 8 = Dark Gray Contact Factory for other available colors</p> | | |