



Specifications

Electrical Ratings	50mA @ 12VDC
Electrical Life	1,000,000 cycles typical (160gF) 500,000 cycles typical (260gF)
Mechanical Life	1,000,000 cycles typical
Contact Resistance	< 100mΩ initial

Actuation Force	160 ± 50gF 260 ± 50gF
Actuator Travel	.25 +.20mm / - .10mm
Dielectric Strength	500Vrms min between contacts
Insulation Resistance	≥ 100MΩ min @ 250VDC
Operating Temperature	-20°C to 70°C
Storage Temperature	-20°C to 70°C

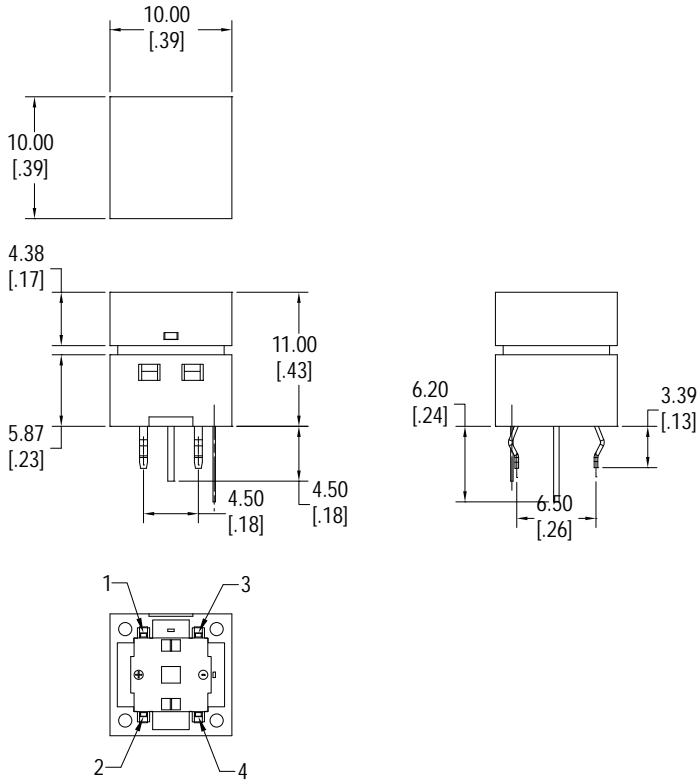
Materials

Lens	Polycarbonate (PC)
Actuator	Polybutylene Terephthalate (PBT)
Housing	Polybutylene Terephthalate (PBT)
Contacts	Silver Plated Copper Alloy
Terminals	Silver Plated Copper Alloy

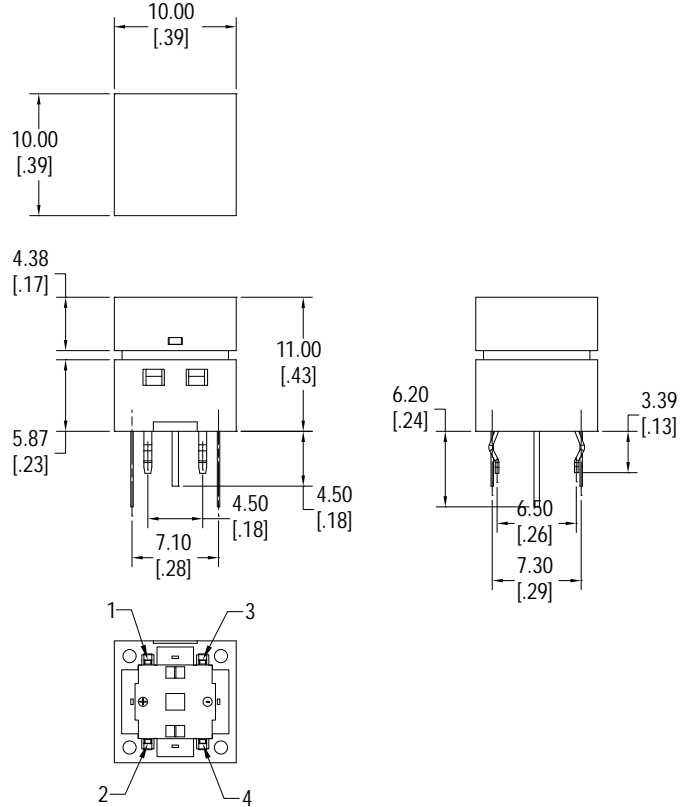
Ordering Information

1. Series	JA	10	F160	S	1	0T	R	B
2. Actuator Size	10 = 10mm							
3. Actuation Force	F160 = 160gF F260 = 260gF							
4. Actuator Style	S = Square							
5. Diffuser Color	1 = White Semi-Transparent							
6. Lens Color	0T = Clear Transparent 6T = Orange Transparent 3T = Red Transparent 7T = Blue Transparent 5T = Green Transparent							
7. LED 1 Options	X = No LED R = Red Y = Yellow G = Green B = Blue W = White							
8. LED 2 Options	X = No LED R = Red Y = Yellow G = Green B = Blue W = White							

Dimensions

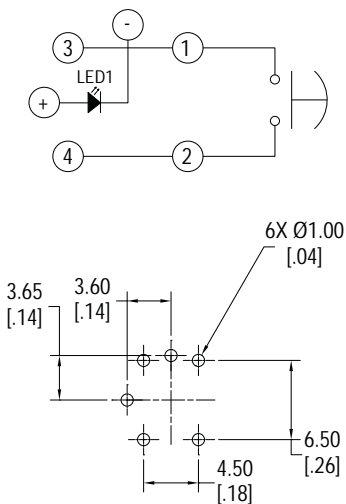


Single LED

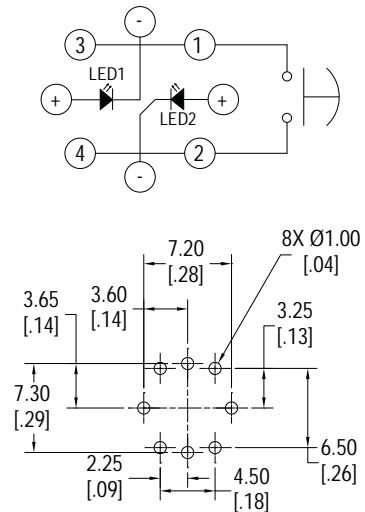


Dual LEDs

Schematics & PC Layout



Single LED



Dual LEDs

LED Characteristics

LED Ratings		Color					Units
		R	Y	G	B	W	
Reverse Voltage	V_R	5	5	5	5	5	V
Forward Current (avg)	I_F	30	30	30	30	30	mA
Forward Current (peak)	I_{FS}	125	125	125	125	125	mA
Reverse Current $V_R = 5V$	I_R	10	10	10	10	10	μA
Power Dissipation	P_T	111	75	111	108	111	mW
Operating & Storage Temperature	T_A	-40 ~ 85					$^{\circ}C$
Forward Voltage (typ) $I_F = 20mA$	V_F	2.0	2.0	3.3	3.1	3.2	V
Forward Voltage (max) $I_F = 20mA$	V_F	2.5	2.5	3.7	3.6	3.7	V
Wavelength at Peak Emission, $I_F = 20mA$	λ_P	635	595	525	460	n/a	nm
Spectral Line Half-Width, $I_F = 20mA$	$\Delta\lambda$	20	17	35	26	n/a	nm
Luminous Intensity, $I_F = 20mA$	LI	150	150	280	50	270	mcd
Viewing Angle	Θ	150	150	150	150	150	deg