



RoHS Compliant

MS2205

Miniature Slide, DPDT

Specifications

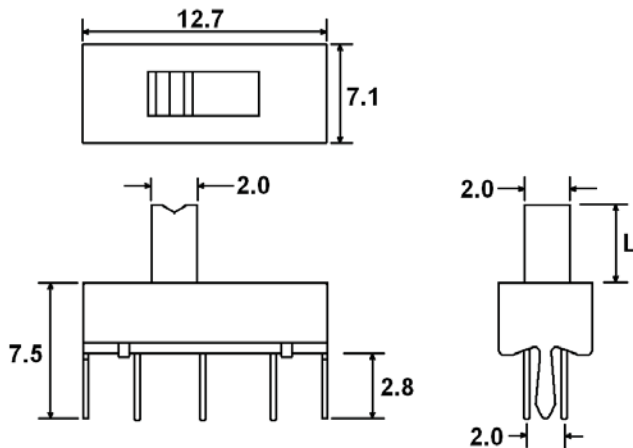
Electrical Ratings	300mA @ 30VDC
Electrical Life	10,000 cycles typical
Contact Resistance	<50mΩ initial
Actuation Force	200 ± 100gF
Actuation Travel	4.0mm total

Dielectric Strength	1000Vrms min
Insulation Resistance	>100MΩ min
Operating Temperature	-40°C to 85°C
Storage Temperature	-40°C to 85°C

Materials

Actuator	Acetal
Housing	Steel
Base	Phenolic
Contacts	Phosphor Bronze, Silver Plated
Terminals	Brass, Silver Plated

Dimensions



1. Series	MS2205	L6
MS2205		
2. Actuator Length		
L2 = 2mm		
L4 = 4mm		
L6 = 6mm		

Schematic & PC Layout

