



Specifications

Electrical Ratings	50mA @ 48VDC
Electrical Life	100,000 cycles typical 1,000,000 cycles typical (stainless steel dome only)
Contact Resistance	<50mΩ initial
Actuation Force	160 ± 50gF 200 ± 50gF 260 ± 50gF 520 ± 50gF

Actuator Travel	.45 ± .1mm
Dielectric Strength	250Vrms min
Insulation Resistance	>100MΩ min
Operating Temperature	-40°C to 85°C
Storage Temperature	-55°C to 90°C

Materials

Actuator	6/6 Nylon
Housing	6/6 Nylon
Cover	Stainless Steel
Contacts	Stainless Steel, Silver Plated
Terminals	Brass, Silver Plated

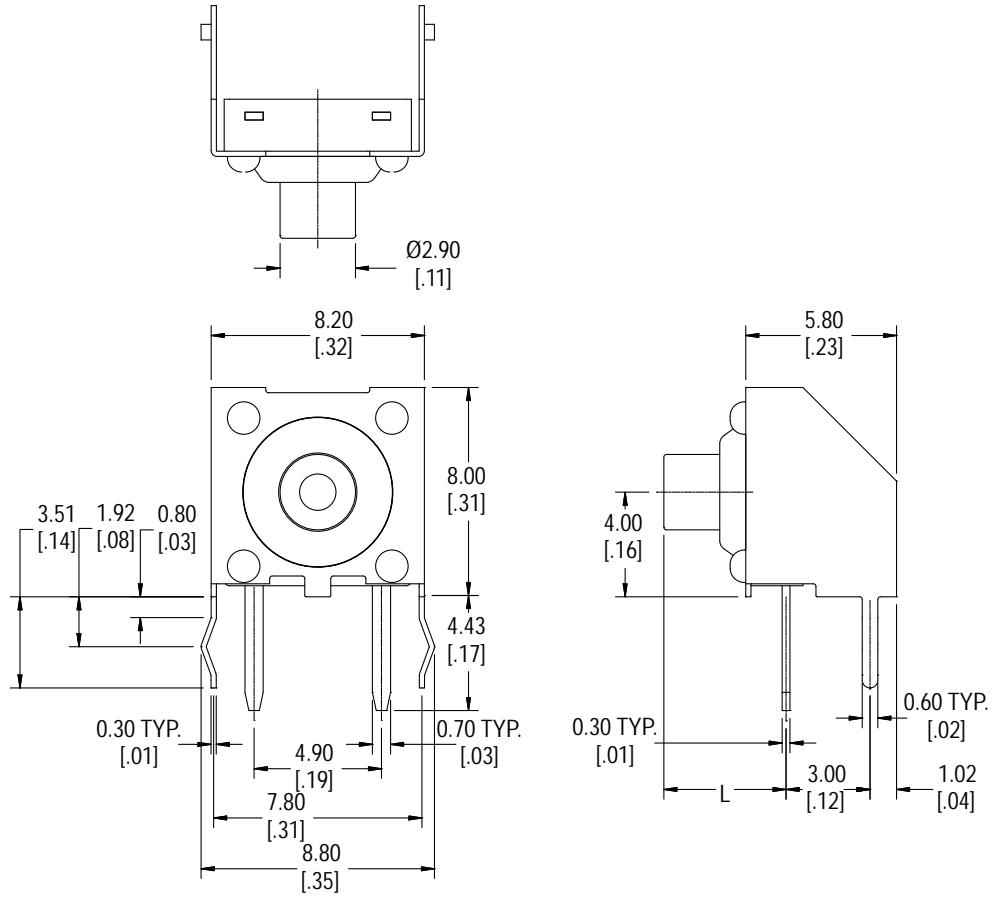
Ordering Information

1. Series	STV	4.35	L	F160	Q
STV					
2. Actuator Length					
4.35 = 4.35mm					
8.35 = 8.35mm					
3. Contact Options					
L = Stainless Steel					
4. Actuation Force					
F160 = F160gF					
F200 = F200gF					
F260 = F260gF					
F520 = F520gF					
5. Contact Material					
Q = Silver					

STV

Right Angle Dust Proof Tactile

Dimensions



Schematic & PC Layout

