



RoHS Compliant

16.9 x 14.5 (29.7) x 19.5 mm

Features

- Low coil power consumption
- Switching current up to 20A with small size and light weight
- Suitable for household appliances, automotive applications
- Dual relay available

Contact Data*

Contact Arrangement	1A & 1U = SPST N.O.	Contact Resistance	< 30 milliohms initial
	1C & 1W = SPDT	Contact Material	AgSnO ₂
	2A & 2U = (2) SPST N.O.	Max Switching Power	1A & 1C : 280W
	2C & 2W = (2) SPDT		1U & 1W : 2x280W
Contact Rating	1A & 1C = 10A @ 120VAC, 28VDC & 20A @ 14VDC	Max Switching Voltage	380VAC, 75VDC
	2A & 2C = 10A @ 120VAC, 28VDC & 20A @ 14VDC	Max Switching Current	20A
	1U & 1W = 2x10A @ 120VAC, 28VDC = 2x20A @ 14VDC		
	2U & 2W = 2x10A @ 120VAC, 28VDC = 2x20A @ 14VDC		

Coil Data*

Coil Voltage VDC		Coil Resistance Ω +/- 10%	Pick Up Voltage VDC (max)	Release Voltage VDC (min)	Coil Power W	Operate Time ms	Release Time ms
Rated	Max		70% of rated voltage	10% of rated voltage			
12	15.6	145	8.40	1.2	1.00	15	5
24	31.2	576	16.80	2.4			

General Data*

Electrical Life @ rated load	100K cycles, average
Mechanical Life	10M cycles, average
Insulation Resistance	100M Ω min. @ 500VDC initial
Dielectric Strength, Coil to Contact	1500V rms min. @ sea level initial
	Contact to Contact
Shock Resistance	100m/s ² for 11 ms
Vibration Resistance	1.27mm double amplitude 10~40Hz
Terminal (Copper Alloy) Strength	10N
Operating Temperature	-40°C to +85°C
Storage Temperature	-40°C to +155°C
Solderability	260°C for 5 s
Weight	12g & 24g

* Values can change due to the switching frequency, desired reliability levels, environmental conditions and in-rush load levels. It is recommended to test actual load conditions for the application. It is the user's responsibility to determine the performance suitability for their specific application. The use of any coil voltage less than the rated coil voltage may compromise the operation of the relay.

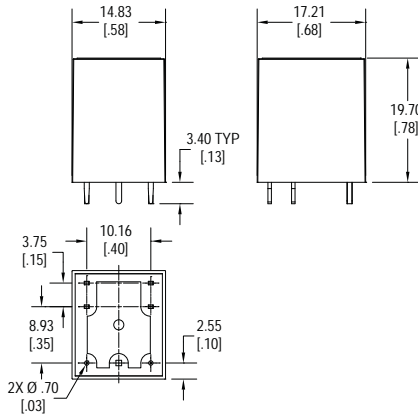
A4

Ordering Information

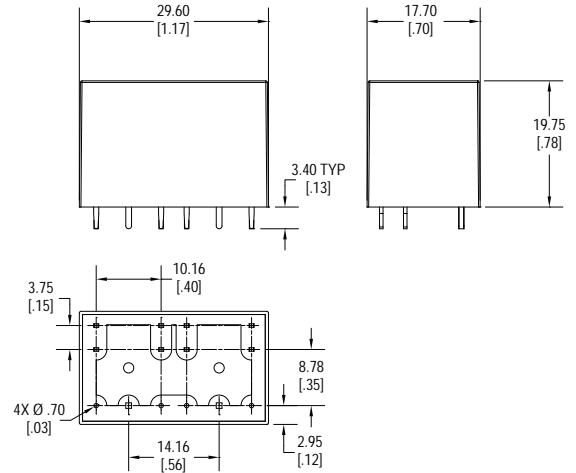
1. Series	A4	1C	S	12VDC
A4				
2. Contact Arrangement				
1A = SPST N.O.	2A = (2) SPST N.O.			
1C = SPDT	2C = (2) SPDT			
1U = SPST N.O.	2U = (2) SPST N.O.			
1W = SPDT	2W = (2) SPDT			
3. Sealing Option				
S = Sealed				
C = Dust cover				
4. Coil Voltage				
12VDC				
24VDC				

Dimensions

Units = mm



Single Package



Dual Package

Schematics & PC Layouts

Bottom Views

