

J115F1 50amp

31.7 x 26.9 x 20.3 mm

Features

- 50A version
- Small size and light weight, low coil power consumption
- Heavy contact load, strong shock and vibration resistance

UL US
E197852



Contact Data*

Contact Rating	N.O.	50A @ 240VAC Resistive, 10K cycles 40°C
	N.C.	35A @ 240VAC Resistive, 10K cycles 40°C
Contact Arrangement	1A = SPST N.O. 1B = SPST N.C. 1C = SPDT	

Contact Resistance	< 30 milliohms initial
Contact Material	AgSnO ₂ , AgSnO ₂ In ₂ O ₃
Maximum Switching Power	1200W, 12000VA
Maximum Switching Voltage	277VAC, 110VDC
Maximum Switching Current	50A

Coil Data DC Parameters*

Coil Voltage VDC		Coil Resistance Ω +/- 10%		Pick Up Voltage VDC (max)	Release Voltage VDC (min)	Coil Power W	Operate Time ms	Release Time ms
Rated	Max	.9W	1.5W	75% of rated voltage	10% of rated voltage			
5	6.5	28	16.7	3.75	.5	1.5W	15	10
9	11.7	90	54	6.75	.9			
12	15.6	160	96	9.00	1.2			
24	31.2	640	384	18.00	2.4			
48	62.4	2560	1536	36.00	4.8			

Coil Data AC Parameters*

Coil Voltage VAC		Coil Resistance Ω +/- 10%	Pick Up Voltage VAC (max)	Release Voltage VAC (min)	Coil Power VA	Operate Time ms	Release Time ms
Rated	Max	2.7VA	75% of rated voltage	30% of rated voltage			
24	31.2	96	18.0	7.2	2.7VA	15	10
120	156	2320	90.0	36.0			
220	286	9500	165.0	66.0			
240	312	11600	180.0	72.0			
277	360	15600	207.0	83.1			

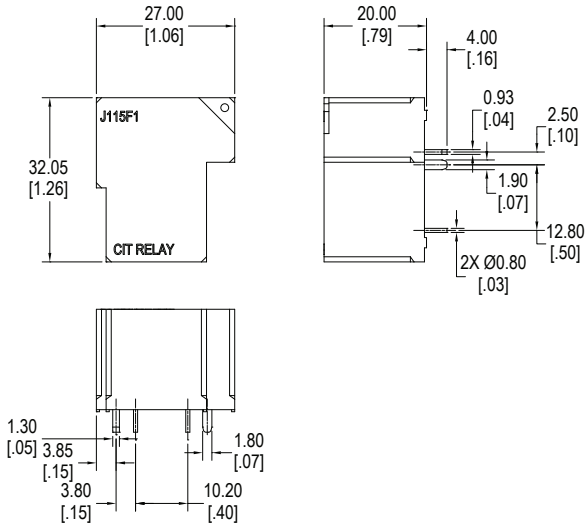
Ordering Information

1. Series	J115F1	1A	H	12VDC	S	1.5
J115F1						
2. Contact Arrangement	1A = SPST N.O. 1B = SPST N.C. 1C = SPDT					
3. Contact Rating	H = 50A					
4. Profile	Blank = Standard Profile N = No Cover					
5. Coil Voltage	5VDC 24VAC 9VDC 120VAC 12VDC 220VAC 24VDC 240VAC 48VDC 277VAC					
6. Sealing Option	S = Sealed standard, <i>not available with N Style Profile</i> N = No cover, non-sealed					
7. Dielectric Strength	6 = Standard dielectric strength H = High dielectric strength					
8. Coil Power	.9 = .9W 1.5 = 1.5W					
9. Contact Material	Blank = AgSnO ₂ U = AgSnO ₂ In ₂ O ₃					

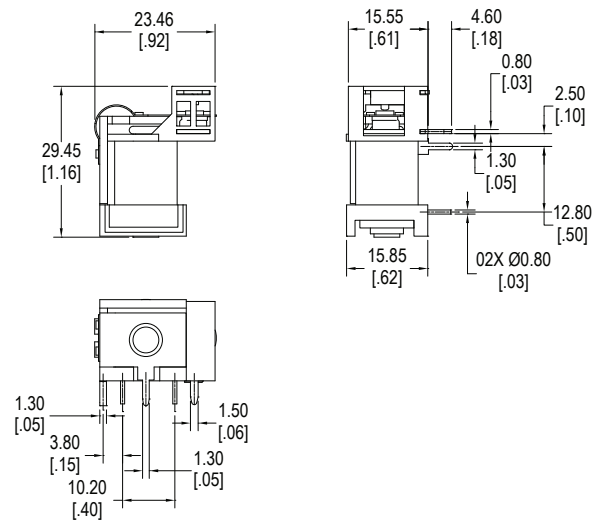
J115F1 50amp

Dimensions

Units = mm



Standard Profile



N = No Cover

Schematics & PC Layouts

Bottom View

