

FEATURES

- Micro Size Plug-In Design
- 1A & 1C Contact Forms
- -40°C to 125°C Operating Temperature
- PC Board Option
- Internal Diode or Resistor Option
- See SC782 for available sockets



CONTACT RATINGS

Contact Form	1A SPST N.O. 1C SPDT
Contact Rating	1A 35A @ 14 VDC, resistive 15A @ 28VDC, resistive 1C NO 30A @ 14VDC, resistive NC 25A @ 14VDC, resistive NO 15A @ 28VDC, resistive NC 10A @ 28VDC, resistive

CHARACTERISTICS

Insulation Resistance	100 MΩ min. at 500 VDC
Dielectric Strength	500 Vrms, 50 Hz, between contacts 1000 Vrms, 50 Hz, between coil & contacts
Power Consumption	1.2 W (1A contacts); 1.5W (1C contacts)
Terminal Strength	8N (QC terminals); 4N (PC terminals)
Solderability	260°C 5 s ± 0.5 s
Operating Temperature	-40°C to 125°C
Storage Temperature	-40°C to 155°C
Shock Resistance	100 m/s ² 11 ms
Vibration Resistance	10-40Hz; 2.7mm double amplitude
Weight	18.5g

CONTACT DATA

Maximum Switching Power	350 W
Maximum Switching Voltage	48 VDC
Maximum Continuous Current	35 A
Material	AgSnO ₂
Initial Contact Resistance	50 mΩ max.
Service Life	Mechanical 1 x 10 ⁷ operations Electrical 1 x 10 ⁵ operations

Values can change due to the switching frequency, desired reliability levels, environmental conditions, and in-rush current levels. It is recommended to test to actual load conditions for the application. It is the users responsibility to determine the performance suitability for their specific application. The use of any coil voltage less than the rated coil voltage may compromise the operation of the relay.

ORDERING INFORMATION

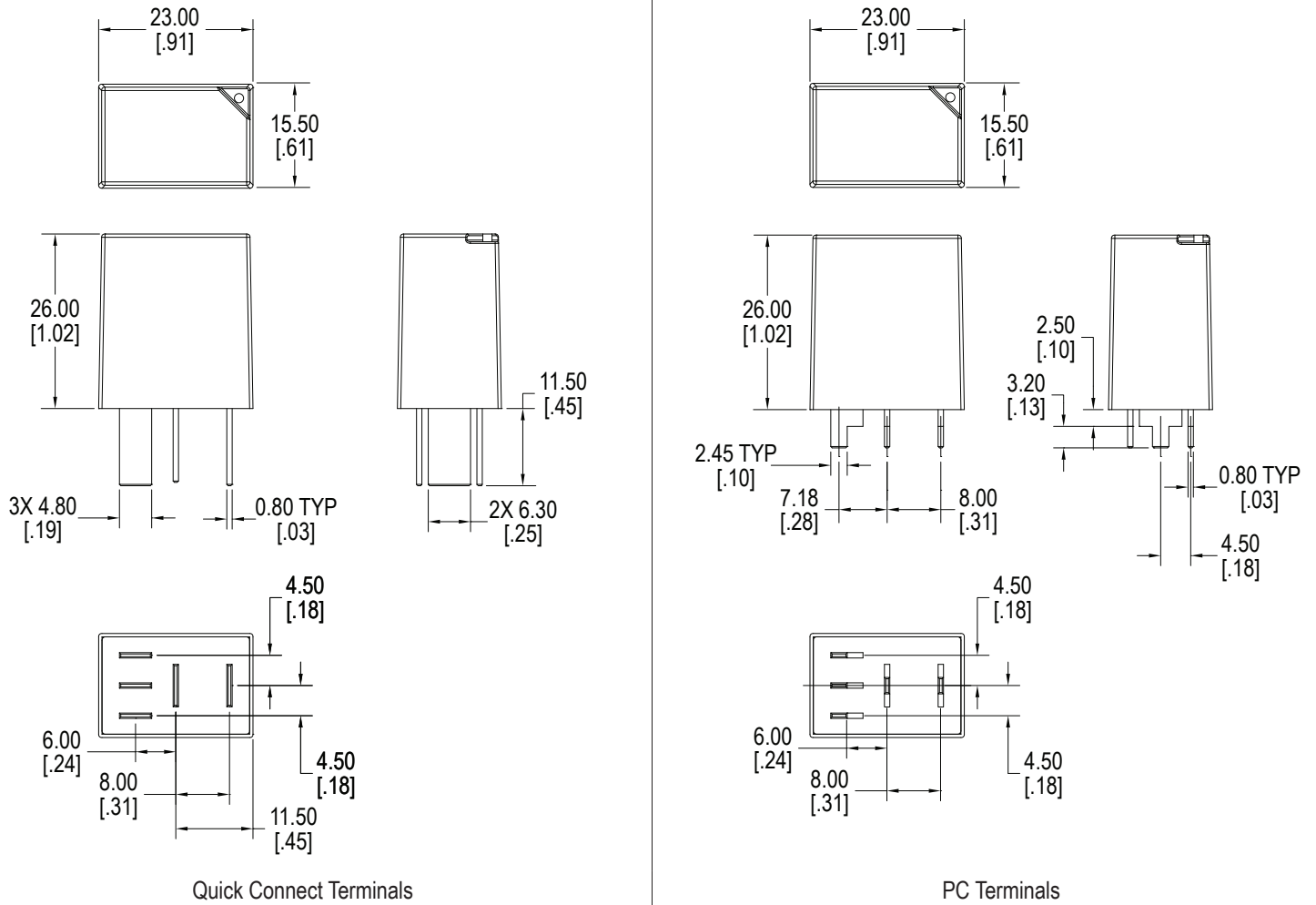
Example	PC782	-1C	-P	-12	S	-R	-X
Model:	PC782						
Contact Form:	1A 1C						
Mounting Version:	Nil = Plug-In P = PCB						
Coil Voltage:	6 = 6VDC 12 = 12VDC 24 = 24VDC 48 = 48VDC						
Enclosure:	C = Dust Cover S = Sealed S1 = Flux Tight (1)						
Parallel Component	Nil = None D = Diode R = Resistor						
RoHS Compliant	-X						

(1) Flux Tight relays are constructed such that Flux will not enter the relay in an automated soldering process, they are NOT suitable for water wash cleaning.

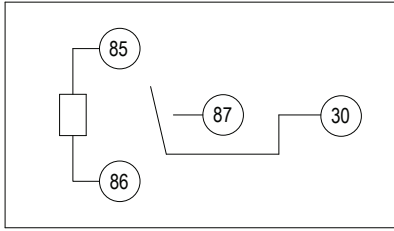
COIL DATA

Coil Voltage		Resistance (Ohms $\pm 10\%$)		Pick Up Voltage Max. VDC	Release Voltage Min. VDC	Coil Power W	Operate Time ms	Release Time ms
Rated	Maximum	1.2W	1.5W					
6	7.8	30	24	4.2	.60	1.2 or 1.5	10	7
12	15.6	120	96	8.40	1.20			
24	31.2	480	384	18.00	2.40			
48	62.4	1920	1536	33.60	4.80			

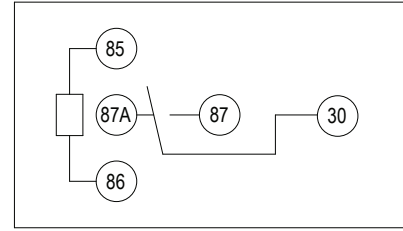
DIMENSIONS mm (inches)



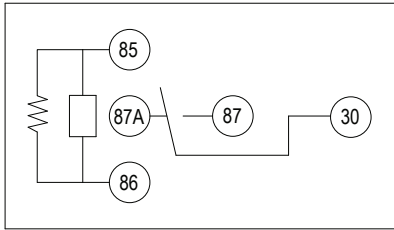
SCHEMATICS *Bottom Views*



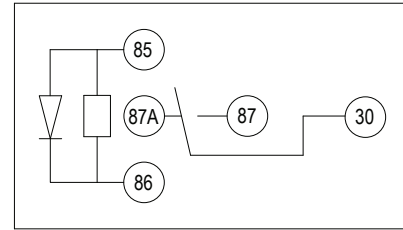
1A



1C



1C with Resistor



1C with Diode

PC Layout *Bottom View*

