


**FEATURES**

- 40 Amps Continuous Carrying Current
- Internal Diode or Resistor Option
- Sockets Available
- Fully Automated Assembly


**CONTACT RATINGS**

Contact Form		1A SPST N.O. 1C SPDT 1AA SPST N.O. (2 #87 Terminals)
Contact Rating	1A	40A @ 14VDC, resistive 20A @ 28VDC, resistive
	1C	40A @ 14VDC, resistive 20A @ 28VDC, resistive
	1AA	40A @ 14VDC, resistive 20A @ 28VDC, resistive

**CHARACTERISTICS**

Insulation Resistance	100 MΩ min. at 500 VDC
Dielectric Strength	500 Vrms, 50 Hz, between contacts 750 Vrms, 50 Hz, between coil & contacts
Power Consumption	1.6W, 1.9W, 2.3W
Terminal Strength	8N quick connect
Solderability	260°C 5 s ± 0.5 s
Operating Temperature	-40°C to 125°C
Storage Temperature	-40°C to 155°C
Shock Resistance	147 m/s <sup>2</sup> 11 ms
Vibration Resistance	10-40Hz; 1.5mm double amplitude
Weight	31.0g

**CONTACT DATA**

Maximum Switching Power	560 W	
Maximum Switching Voltage	75 VDC	
Maximum Continuous Current	40 A	
Material	AgSnO <sub>2</sub>	
Initial Contact Resistance	30 mΩ max.	
Service Life	Mechanical	1 x 10 <sup>7</sup> operations
	Electrical	1 x 10 <sup>5</sup> operations

Values can change due to the switching frequency, desired reliability levels, environmental conditions, and in-rush current levels. It is recommended to test to actual load conditions for the application. It is the users responsibility to determine the performance suitability for their specific application. The use of any coil voltage less than the rated coil voltage may compromise the operation of the relay.

**ORDERING INFORMATION**

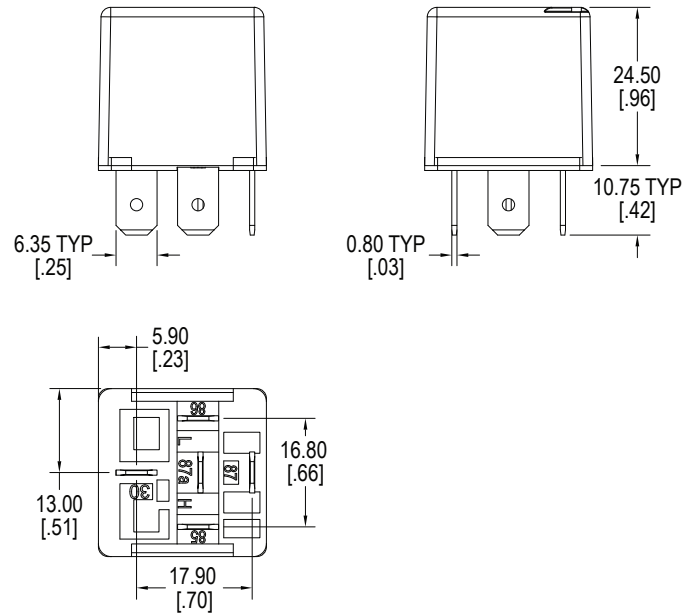
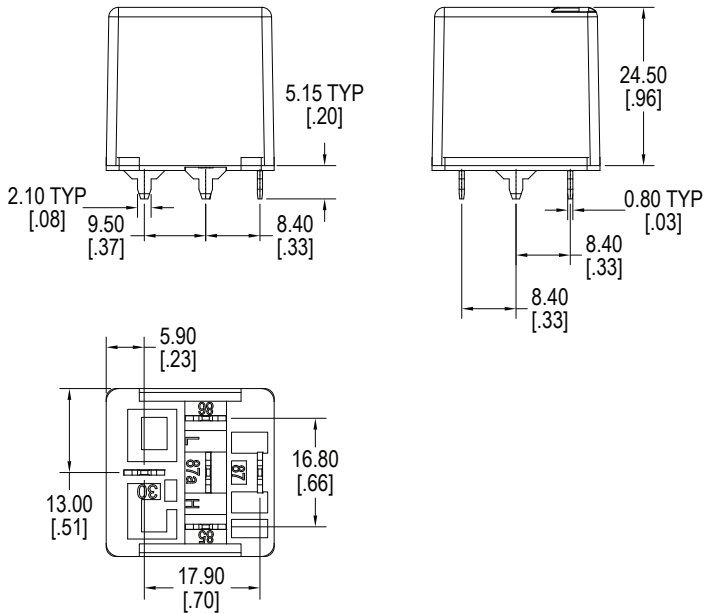
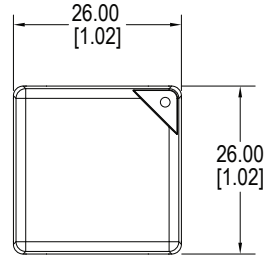
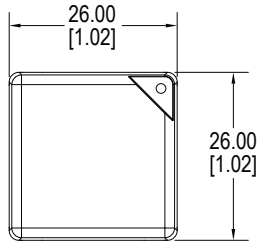
Example Model:	PC792B	-1C	-C	-12	S	1.9	-D	N	-X
Contact Form:	1A 1C 1AA								
Mounting Version:	C = Plug-In C1 = Plastic Bracket C2 = Metal Bracket C3 = Weatherproof Case with Metal Bracket* P = PC Pins <i>*only available sealed</i>								
Coil Voltage:	6 = 6VDC 9 = 9VDC 12 = 12VDC 24 = 24VDC 48 = 48VDC								
Enclosure:	C = Dust Cover S = Sealed S1 = Flux Tight (1)								
Coil Power:	Nil = 1.6W 1.9 = 1.9W 2.3 = 2.3W (2)								
Parallel Component:	Nil = None D = Diode D1 = Reverse Diode R = Resistor								
Terminal Plating:	Nil = PC Pin N = Tin Plated Terminals, standard on all Plug-In models								
RoHS Compliant:	-X								

(1) Flux Tight relays are constructed such that Flux will not enter the relay in an automated soldering process, they are NOT suitable for water wash cleaning.  
 (2) Special coil - minimum order quantities apply.

**COIL DATA**

Coil Voltage		Resistance (Ohms ± 10%)			Pick Up Voltage Max. VDC	Release Voltage Min. VDC	Coil Power W	Operate Time ms	Release Time ms
Rated	Maximum	1.6W	1.9W	2.3W					
6	7.8	22.5	19	15.6	3.9	0.6	1.6 1.9 2.3	≤10	≤10
9	11.7	50.6	n/a	n/a	5.9	0.9			
12	15.6	90	75.8	62.6	7.8	1.2			
24	31.2	360	303.2	250.4	15.6	2.4			
48	62.4	1440	n/a	n/a	31.2	4.8			

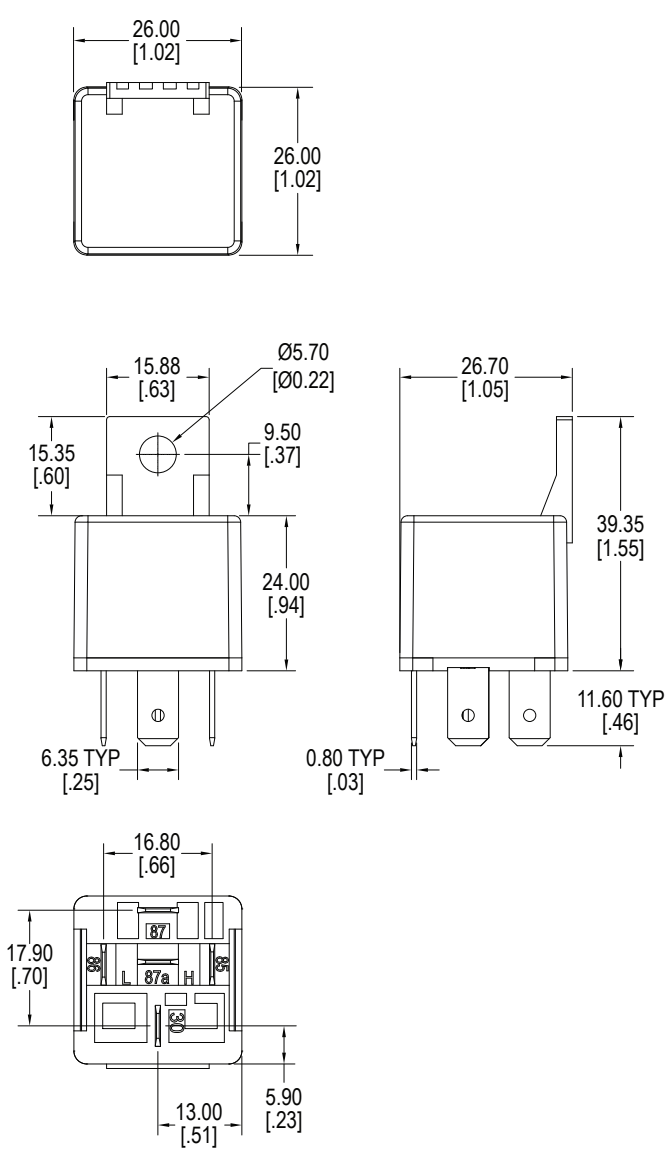
**DIMENSIONS** mm (inches)



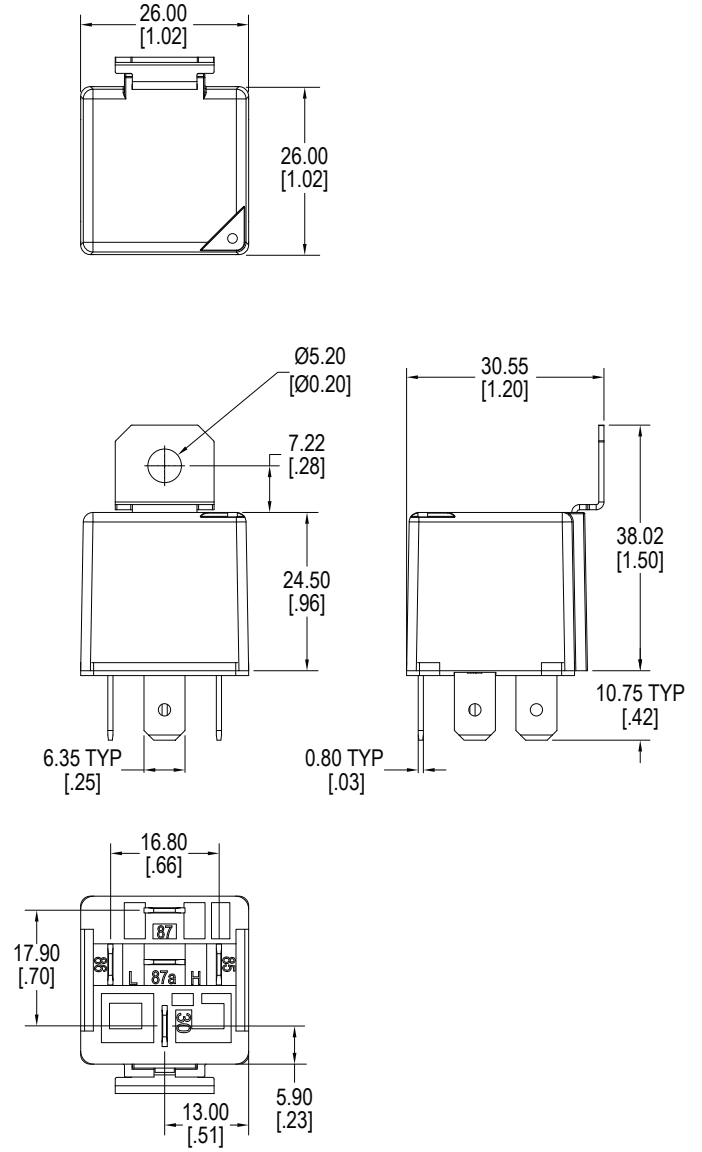
Standard with PC Pins (P)

Standard with Quick Connect (C)

DIMENSIONS mm (inches)

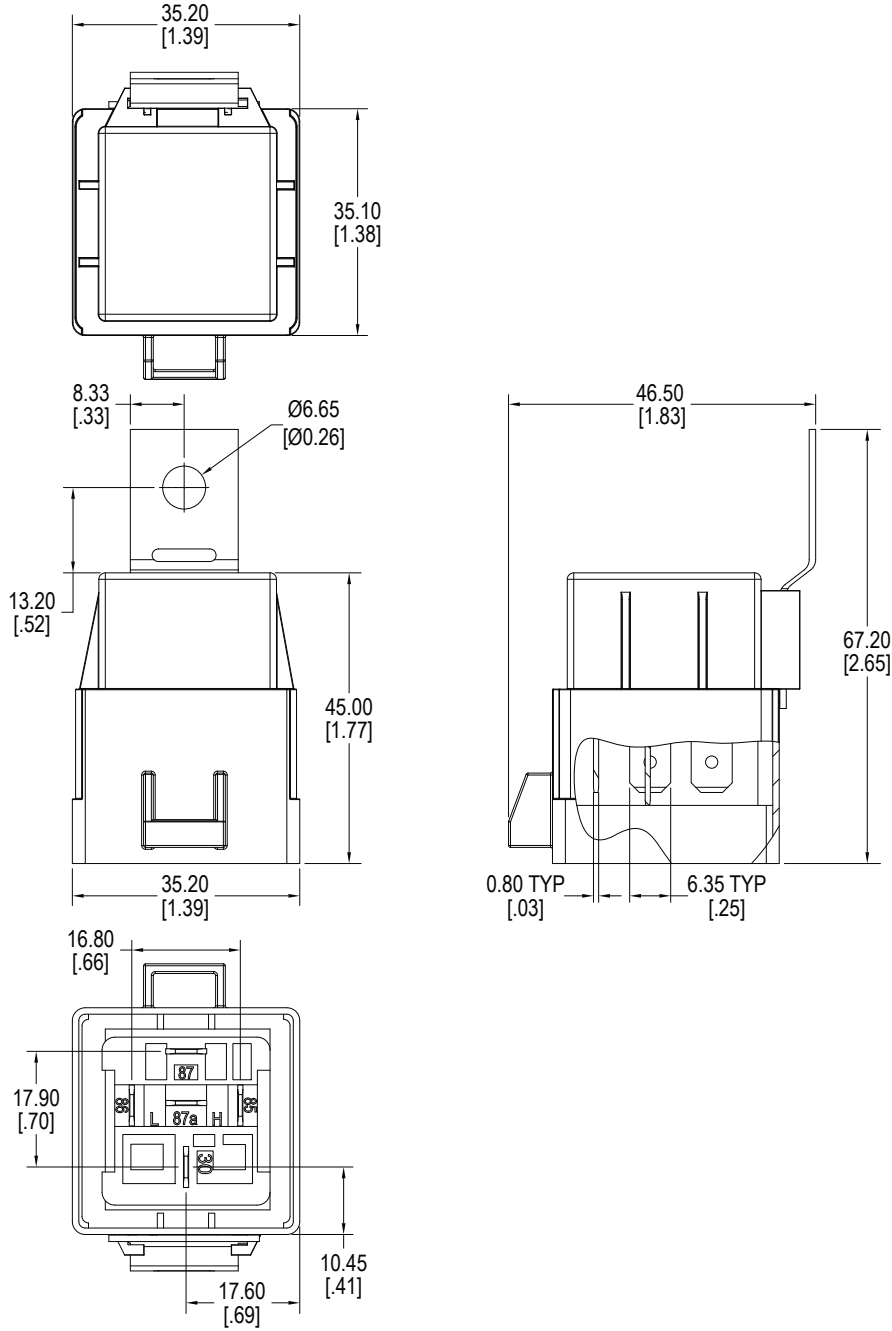


Quick Connect with Plastic Bracket (C1)



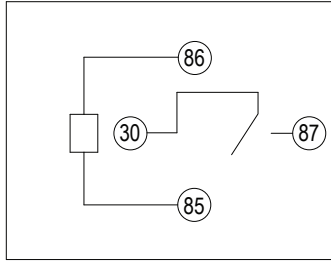
Quick Connect with Metal Bracket (C2)

**DIMENSIONS** mm (inches)

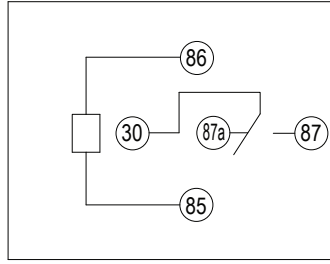


Quick Connect with Weatherproof Shroud (C3)

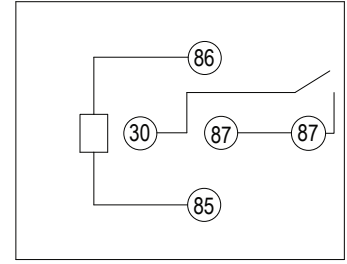
**SCHEMATICS** *Bottom Views*



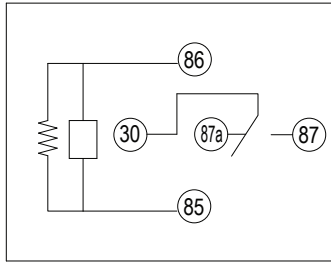
1A



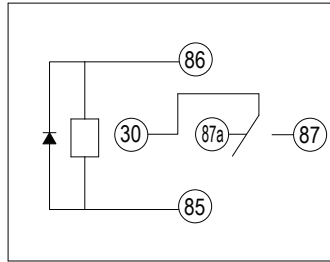
1C



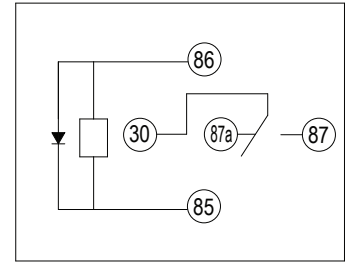
1AA



1C with Resistor



1C with Diode



1C with Reverse Diode

**PC LAYOUT**

