

Process Sealed Miniature Rocker

Specifications

Electrical Ratings	5A @ 120VAC, 28VDC 2A @ 250VAC See Contact Options	Dielectric Strength	1500Vrms min
Electrical Life	30,000 cycles typical	Insulation Resistance	>100MΩ min
Contact Resistance	<20mΩ initial @ 2-4VDC, 100mA	Operating Temperature	-40°C to 85°C
		Storage Temperature	-40°C to 85°C
		Sealing Degree	IP67

Materials

Actuator	6/6 Nylon, Glass Filled, Flame Retardant Heat Stabilized, UL94V-0
Housing	6/6 Nylon, Glass Filled, Flame Retardant Heat Stabilized, UL94V-0
Support Bracket	Brass, Tin Plated
Contacts	Copper Alloy, Silver Plated or Gold Plated
Terminals	Copper Alloy, Silver Plated or Gold Plated

Features

- Wide variety of applications from consumer electronics to commercial
- Process sealed terminations
- Gold contacts available for low power applications
- Available support brackets for greater stability
- Up to three poles with six functions available
- Many rocker and paddle style actuators to choose from
- Wide variety of terminal options

Ordering Information

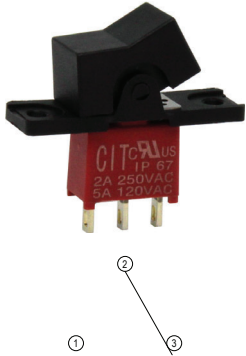
1. Series	ASR	1	3	R11	2			C	Q
ASR									
2. Number of Poles									
1 = SPDT									
2 = DPDT									
3 = 3PDT*									
3. Switch Function									
1 = ON-NONE-ON									
2 = ON-NONE-(ON) <i>not available with 3PDT</i>									
3 = ON-OFF-ON <i>not available with 3PDT</i>									
4 = (ON)-OFF-(ON) <i>not available with 3PDT</i>									
5 = ON-OFF-(ON) <i>not available with 3PDT</i>									
6 = ON-ON-ON [†] <i>not available with 3PDT</i>									
4. Actuator									
R11P / R11 = Rocker, PC mount / Panel mount									
R21P / R21 = Rocker, PC mount / Panel mount									
P13P / P13 = Paddle, PC mount / Panel mount									
P23P / P23 = Paddle, PC mount / Panel mount									
R15P = Rocker, PC mount									
R43P = Rocker, PC mount									
R47P = Rocker, PC mount									
R48P = Rocker, PC mount									
5. Actuator Color									
1 = White									
2 = Black									
3 = Red									
4 = Orange									
5 = Yellow									
6 = Green									
7 = Blue									
8 = Brown									
9 = Gray									
6. Actuator Marking Style									
Blank = No Marking									
A, B, C, D, E, F, G									
7. Actuator Marking Color									
Blank = No marking									
W = White, standard									
B = Black									
8. Terminals									
B = Solder Lugs									
C = PC pin									
D = Quick Connect									
H = Horizontal mount, right angle PC pin									
HS = Horizontal mount, right angle Snap-in V = Vertical mount, right angle PC pin									
S20 = PC pin with support bracket S25 = PC pin with support bracket									
V20 = Snap-in support bracket									
V25 = Snap-in support bracket									
9. Contacts									
Q = Silver plated									
R = Gold plated									
G = Gold over Silver plated									

*Available Switch Function 1 only

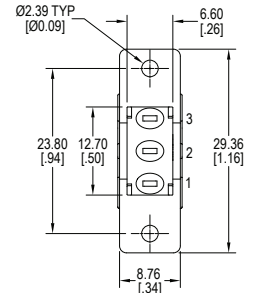
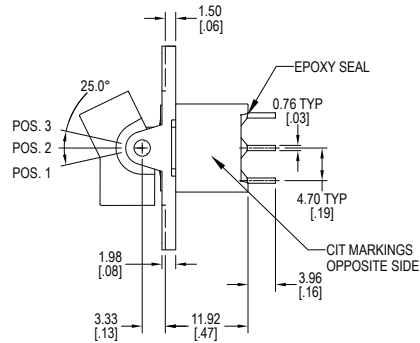
[†]See Three Way Wiring Section for details

Switch Function

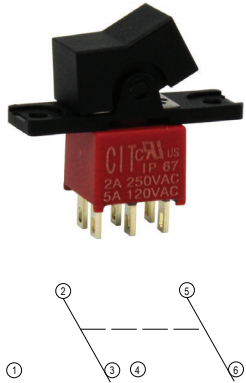
SPDT



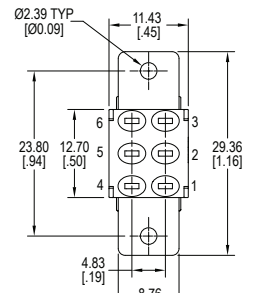
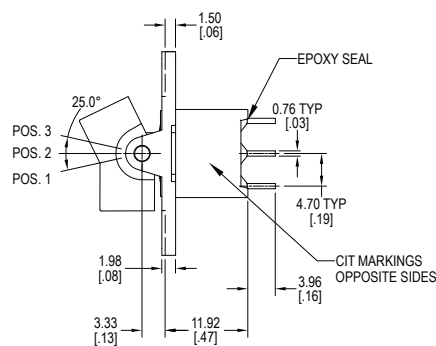
Function	Rocker Position		
1	ON	NONE	ON
2	ON	NONE	(ON)
3	ON	OFF	ON
4	(ON)	OFF	(ON)
5	ON	OFF	(ON)
Terminals	2-3	-	2-1



DPDT



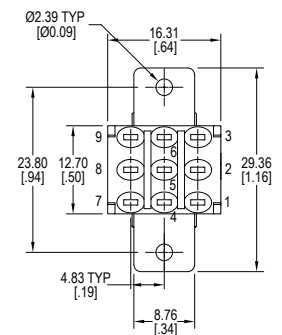
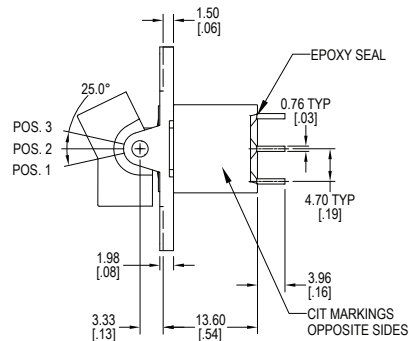
Function	Rocker Position		
1	ON	NONE	ON
2	ON	NONE	(ON)
3	ON	OFF	ON
4	(ON)	OFF	(ON)
5	ON	OFF	(ON)
Terminals	2-3	-	2-1
6	ON	ON	ON
Terminals	2-3 5-6	2-3 5-4	2-1 5-4



3PDT

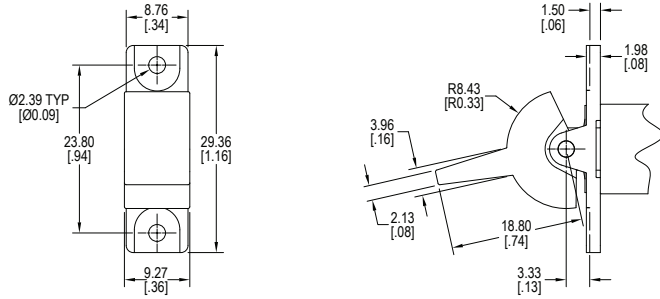


Function	Rocker Position		
1	ON	NONE	ON
2	ON	NONE	(ON)
3	ON	OFF	ON
4	(ON)	OFF	(ON)
5	ON	OFF	(ON)
Terminals	2-3 5-6 8-9	-	2-1 5-4 8-7

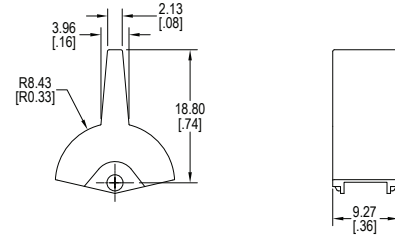


Actuator Options

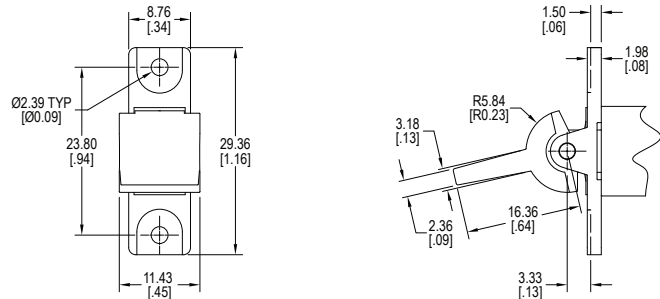
P13, panel mount



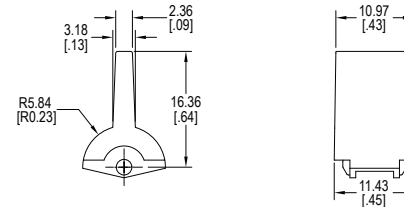
P13P, PC mount



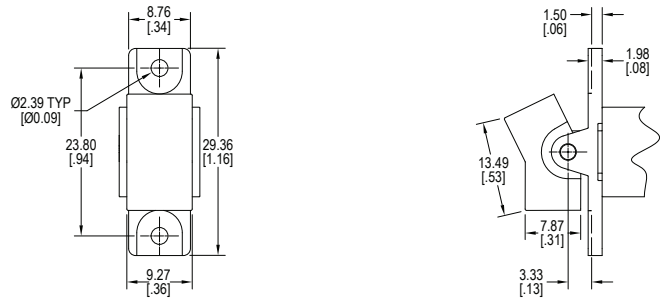
P23, panel mount



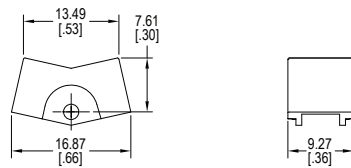
P23P, PC mount



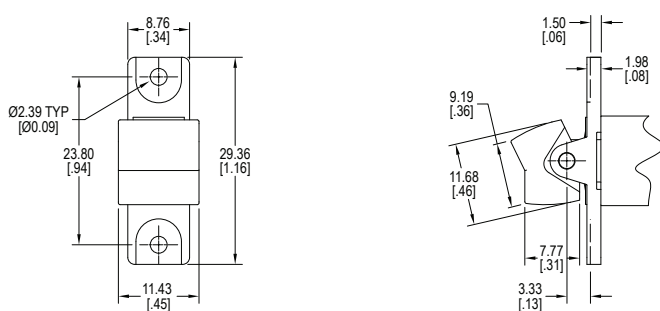
R11, panel mount



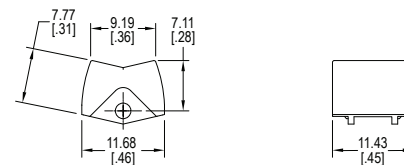
R11P, PC mount



R21, panel mount

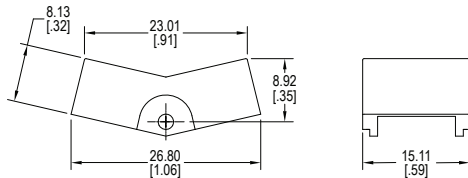


R21P, PC mount

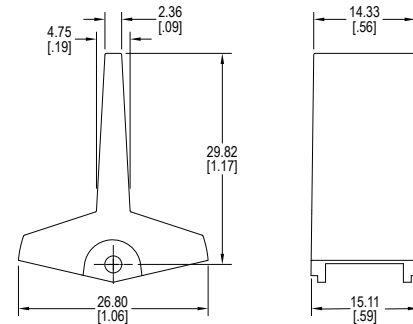


Actuator Options

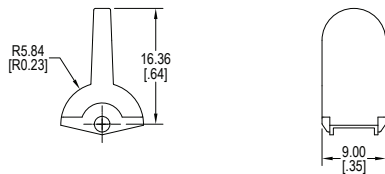
R15P, PC mount



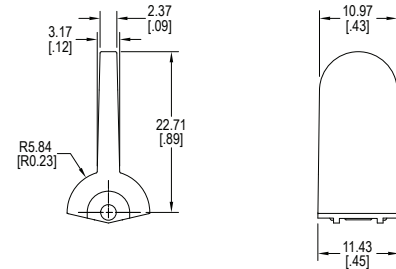
R43P, PC mount



R47P, PC mount

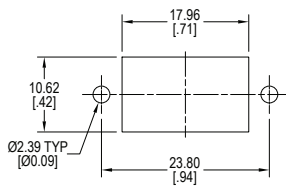


R48P, PC mount

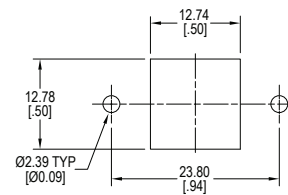


Panel Mounting

For R11 & P13



For R21 & P23

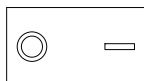


Actuator Marking

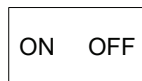
A Style



B Style



C Style



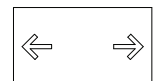
D Style



E Style

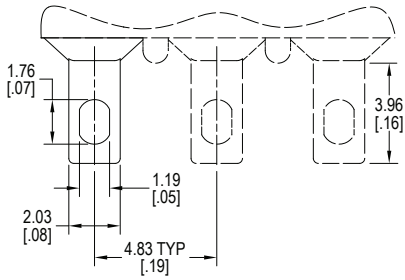


F Style

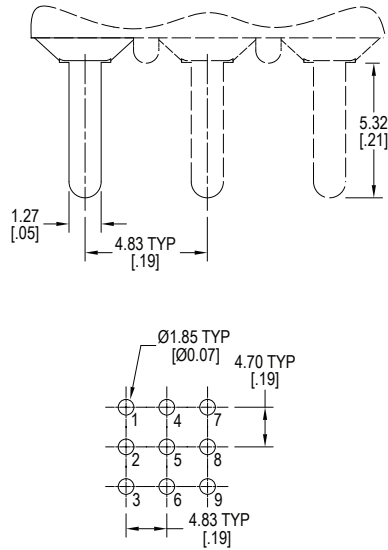


Terminal Options

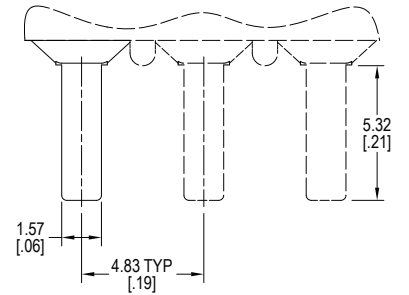
B, Solder Lugs



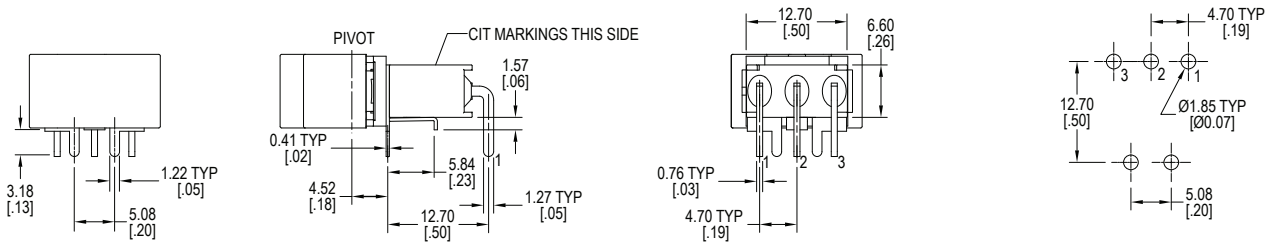
C, PC Pins



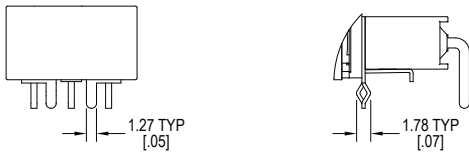
D, Quick Connect



H, horizontal mount, right angle PC pins, SPDT

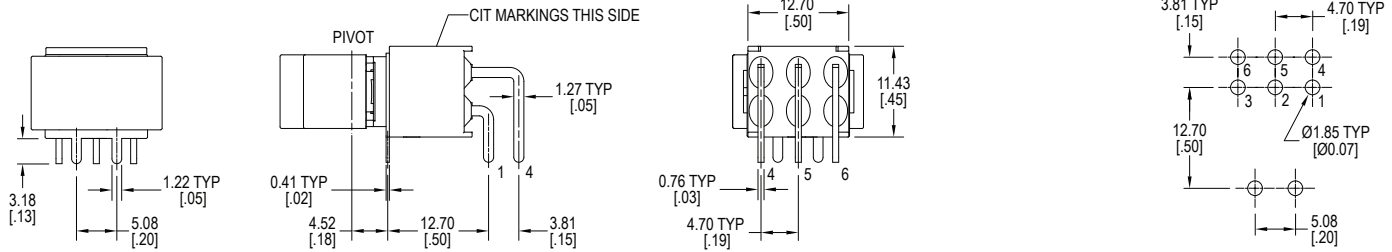


HS, horizontal mount, snap-in, right angle PC pins, SPDT

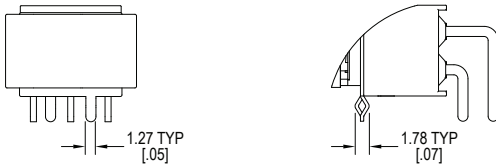


Terminal Options

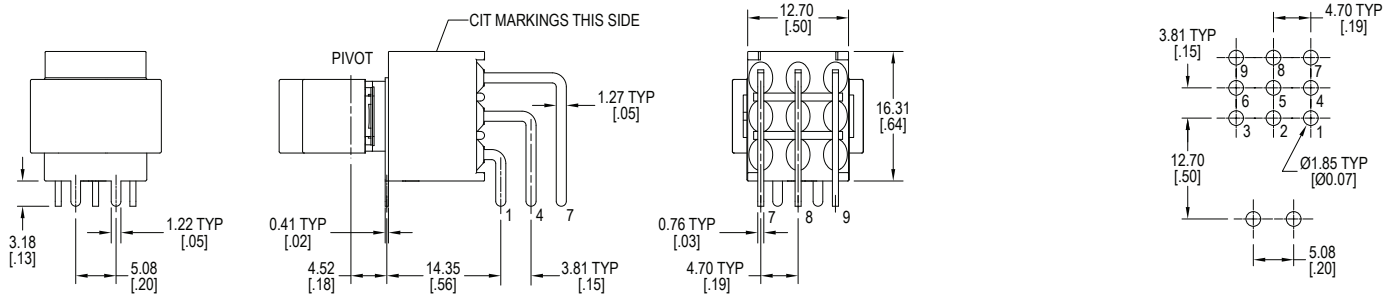
H, horizontal mount, right angle PC pins, DPDT



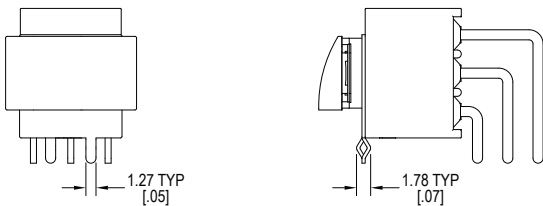
HS, horizontal mount, snap-in, right angle PC pins, DPDT



H, horizontal mount, right angle PC pins, 3PDT

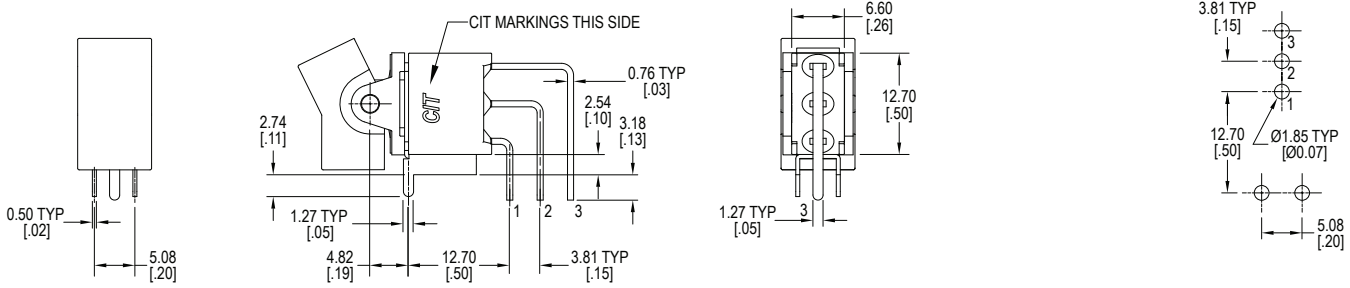


HS, horizontal mount, snap-in, right angle PC pins, 3PDT

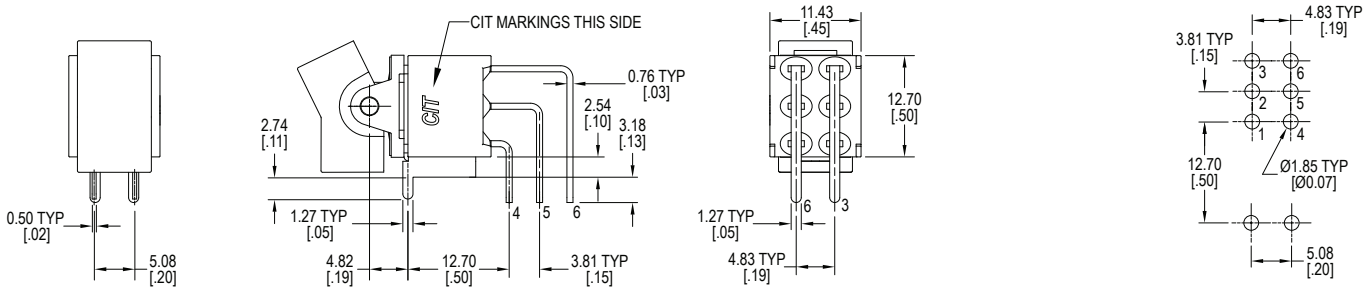


Terminal Options

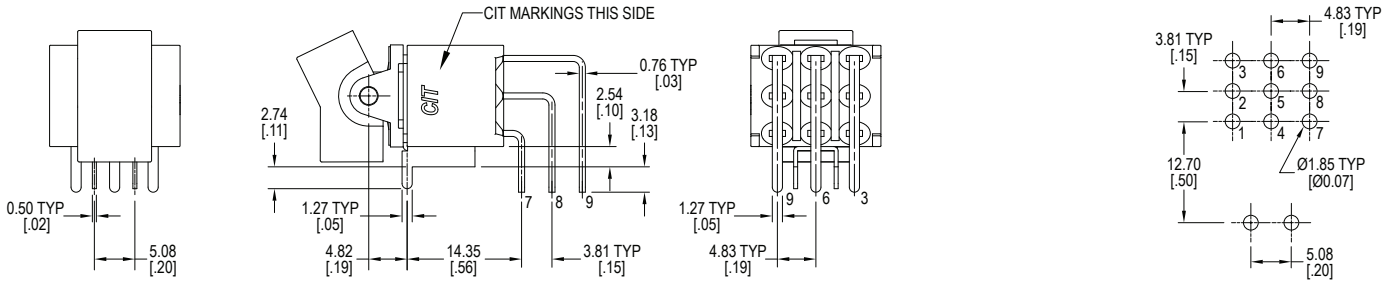
V, vertical mount, right angle PC pins, SPDT



V, vertical mount, right angle PC pins, DPDT

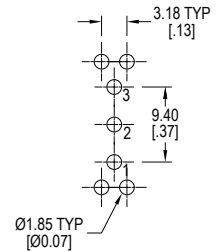
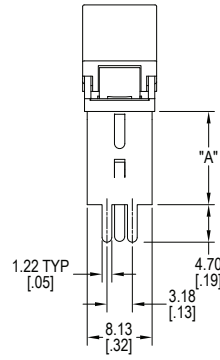
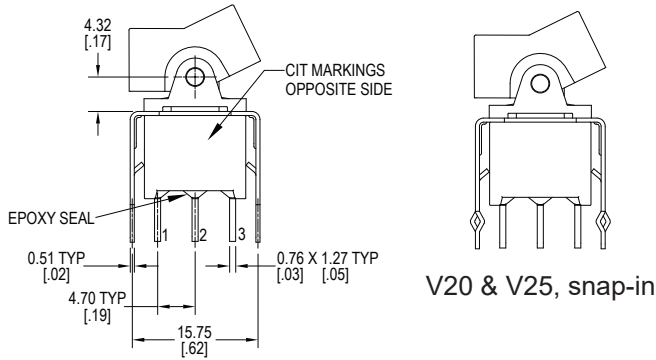


V, vertical mount, right angle PC pins, 3PDT



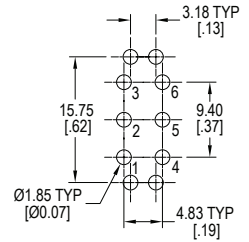
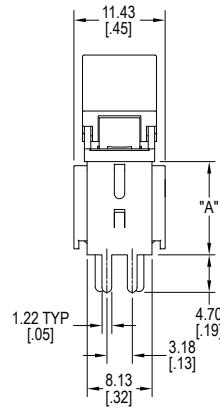
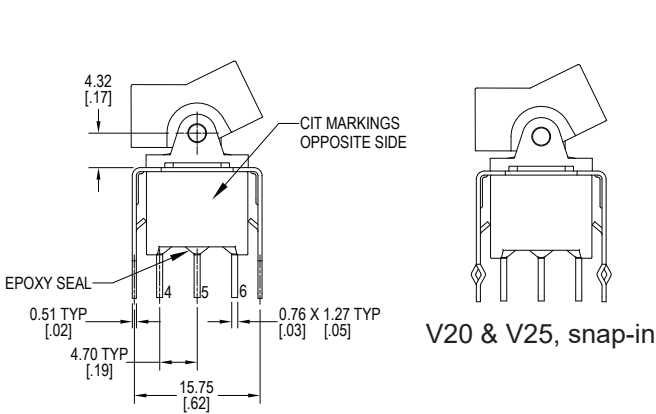
Terminal Options

S20 & S25, PC pins with support bracket, SPDT



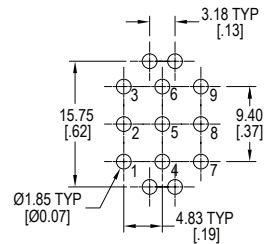
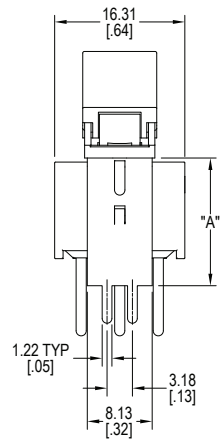
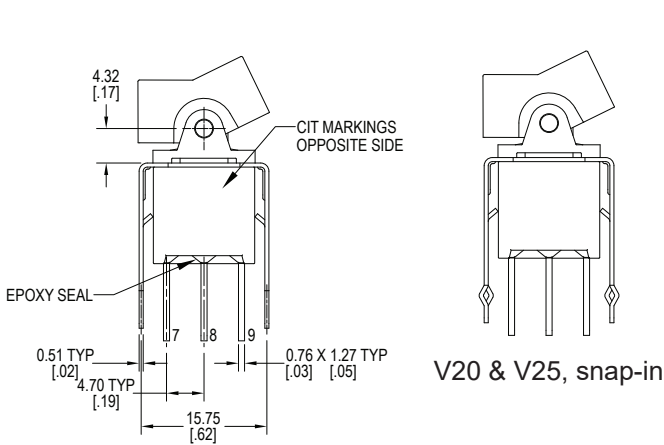
Terminal Option	"A" Dimension
S20 / V20	11.68 [.46]
S25 / V25	16.00 [.63]

S20 & S25, PC pins with support bracket, DPDT



Terminal Option	"A" Dimension
S20 / V20	11.68 [.46]
S25 / V25	16.00 [.63]

S20 & S25, PC pins with support bracket, 3PDT



Terminal Option	"A" Dimension
S20 / V20	11.68 [.46]
S25 / V25	16.00 [.63]

Contact Options

Designator	Contact Material	Terminal Material	Electrical Ratings
Q	Silver Plating	Silver Plating	5A @ 120VAC, 28VDC; 2A @ 250VAC
R	Gold over Nickel Plating	Gold over Nickel Plating	0.4VA max @ 20VAC or VDC max
G	Gold over Silver Plating	Gold over Silver Plating	0.4VA max @ 20VAC or VDC max or 5A @ 120VAC, 28VDC; 2A @ 250VAC

Three Way Wiring Diagram

