



Illuminated Anti-Vandal Pushbutton – 16mm or 19mm

Specifications

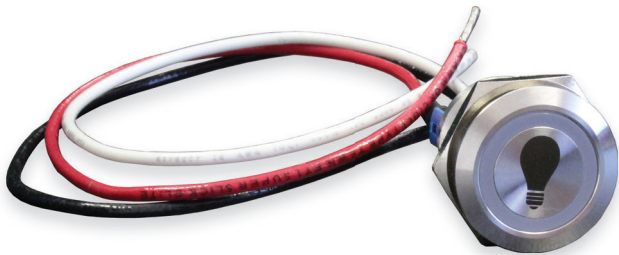
Electrical Ratings	2A @ 36VDC	Actuation Force 16mm	500 ± 100gF
	1A @ 125VAC	19mm	550 ± 100gF
Sealing Degree	IP67	Actuation Travel 16mm	1.6 ± .25mm
		19mm	2.0 ± .25mm
Electrical Life	50,000 cycles typical	Insulation Resistance	≥ 100MΩ min
Contact Resistance	≤ 50mΩ initial	Operating Temperature	-40°C to +85°C
Dielectric Strength	2000Vrms min contact to contact	Storage Temperature	-40°C to +85°C
	2000Vrms min contact to LED		

Materials

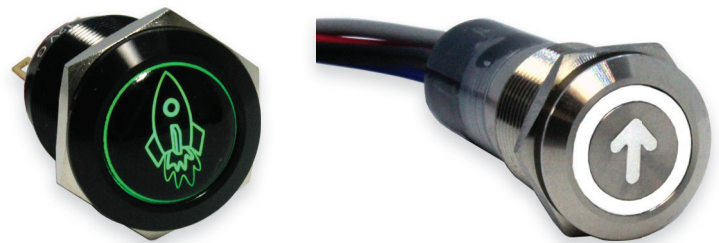
Actuator	Stainless Steel or Nickel Plated Brass or Gold Plated Brass, Aluminum
LED Lens	Polycarbonate (PC)
Threaded Body	Stainless Steel or Nickel Plated Brass or Gold Plated Brass, Aluminum
Terminal Support	Polybutylene Terephthalate (PBT)
Contacts	Silver Alloy
Terminals	Brass, Epoxy Sealed
Hardware	One Hex Nut & One “O” Ring Supplied

Custom Capabilities Contact Factory

Cable Assemblies



Shine Through Symbols



Custom Laser Etching



Custom Plastic Convex Actuators



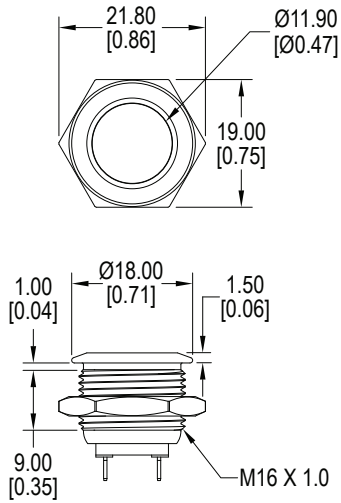
Illuminated Anti-Vandal Pushbutton – 16mm or 19mm

Ordering Information

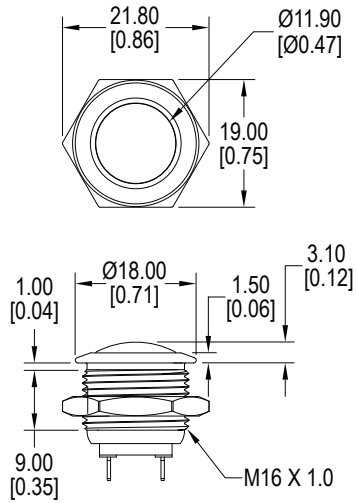
1. Series	BH16	N	R	S	Z	X
BH16 = 16mm BH19 = 19mm						
2. Bezel Style Blank = Standard Bezel H = Straight Bezel						
3. Switch Function N = Momentary						
4. Actuator Style: F = Flush M = Round R = Raised B = Flush, ring illuminated C = Flush dot illuminated E = Raised, ring illuminated Available in 16mm only G = Flush, international stand-by symbol illuminated Available in 16mm only J = Round, ring illuminated Available in 16mm only K = Round, dot illuminated Available in 16mm only L = Raised, dot illuminated Available in 16mm only EC = Epoxy ConvEX contact factory for details						
5. Switch Finish: B = Black anodized aluminum G = Green anodized aluminum Contact factory for availability N = Nickel plated brass P = Gold plated brass R = Red anodized aluminum Contact factory for availability S = Brushed stainless steel U = Blue anodized aluminum Contact factory for availability Y = Yellow anodized aluminum Contact factory for availability						
6. Terminal Options B = Solder Lugs C = Quick Connect Terminal Z = Screw Terminal Not available with RGB LED						
7. LED Color						
X = No LED	RO = Red / Orange dual LED					
R = Red	RY = Red / Yellow dual LED					
Y = Yellow	RG = Red / Green dual LED					
G = Green	RB = Red / Blue dual LED					
B = Blue	OY = Orange / Yellow dual LED					
W = White	OG = Orange / Green dual LED					
O = Orange	OB = Orange / Blue dual LED					
	OW = Orange / White dual LED					
	YG = Yellow / Green dual LED					
	YB = Yellow / Blue dual LED					
	GB = Green / Blue dual LED					
	GW = Green / White dual LED					
	RGB = Red / Green / Blue Available in 16mm only					

Dimensions – 16mm

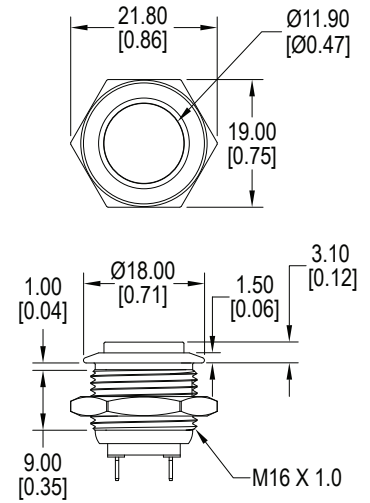
F Actuator



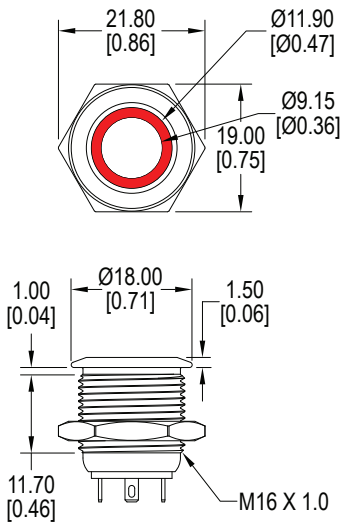
M Actuator



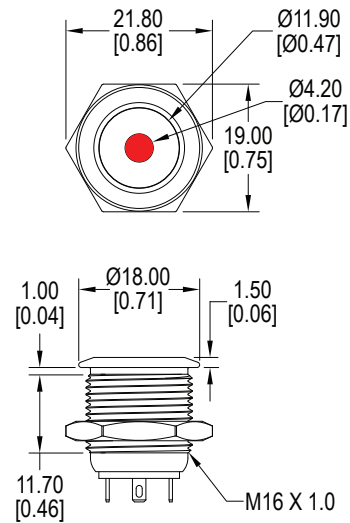
R Actuator



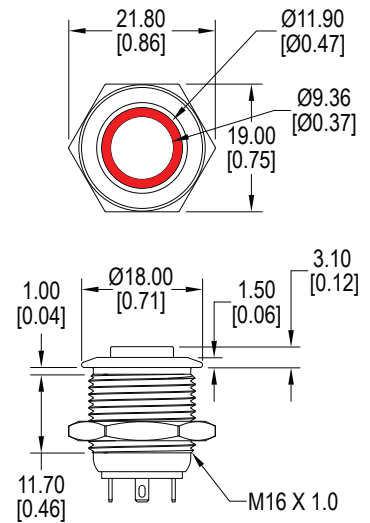
B Actuator



C Actuator

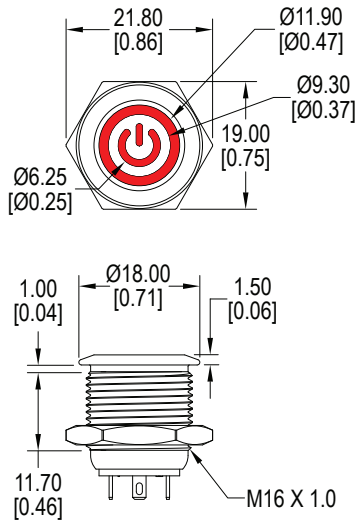


E Actuator

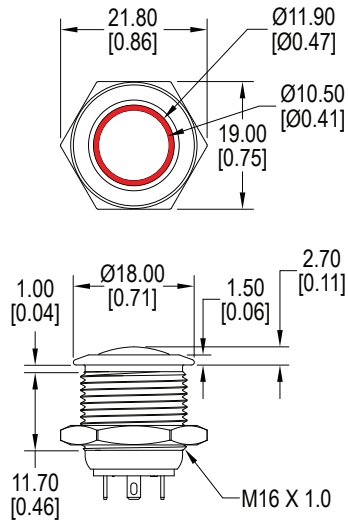


Dimensions – 16mm

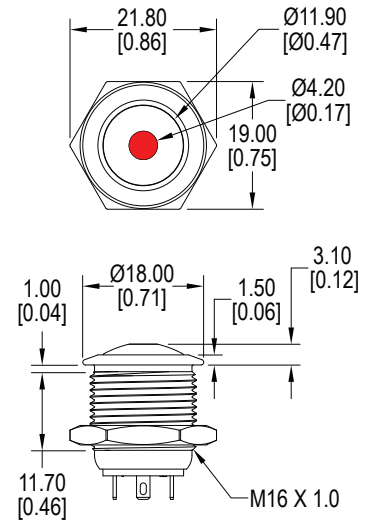
G Actuator



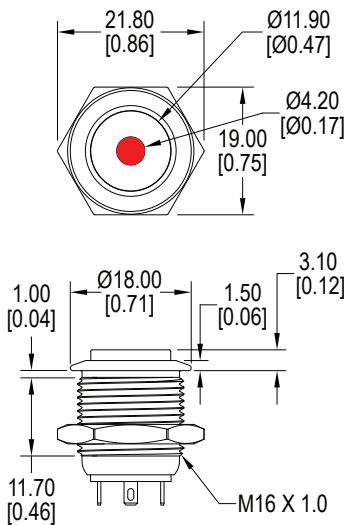
J Actuator



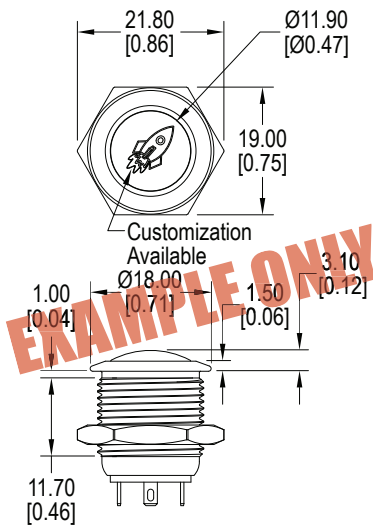
K Actuator



L Actuator

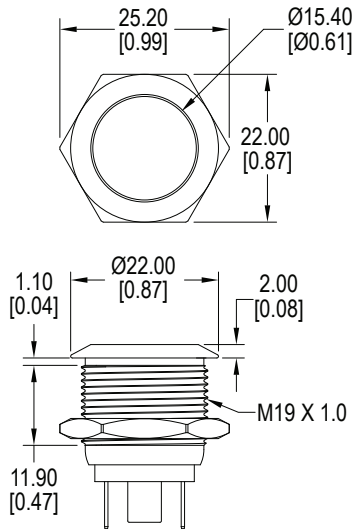


EC Actuator - contact factory

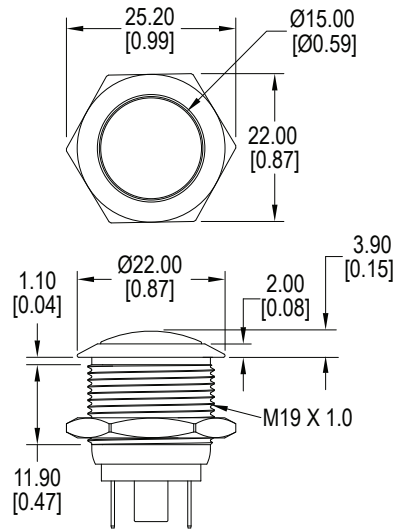


Dimensions – 19mm

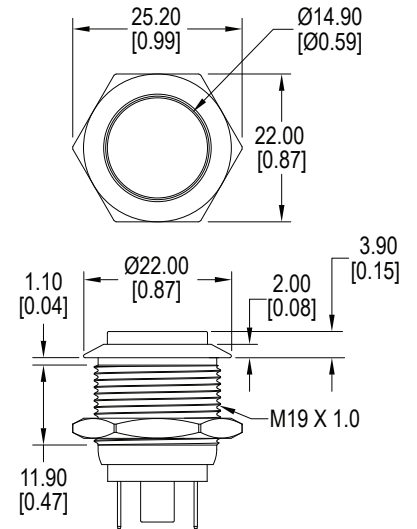
F Actuator



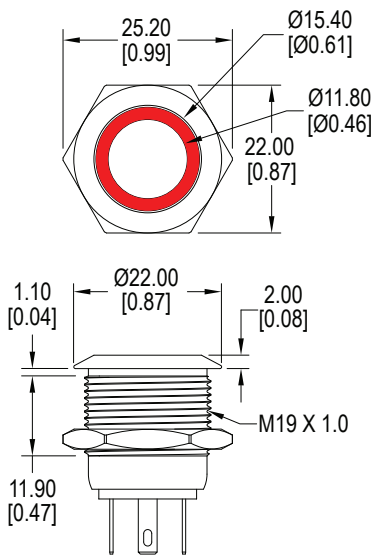
M Actuator



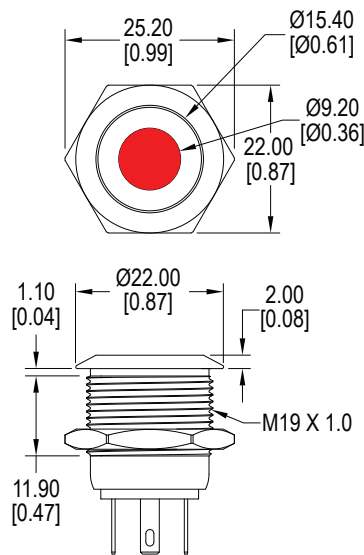
R Actuator



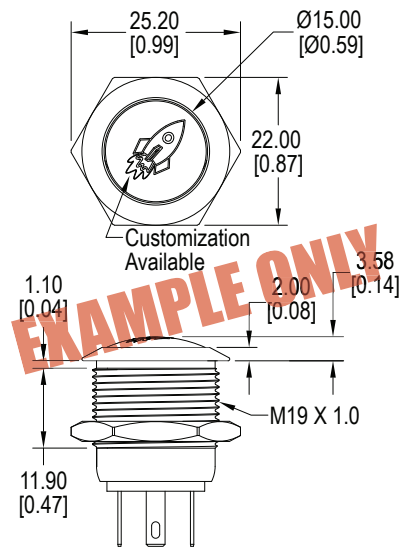
B Actuator



C Actuator



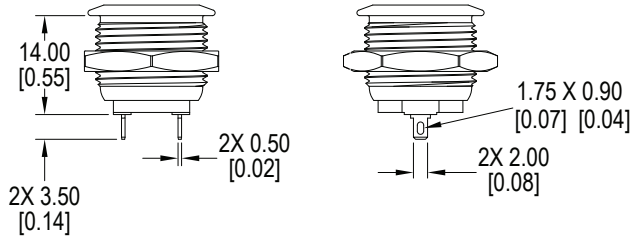
EC Actuator - contact factory



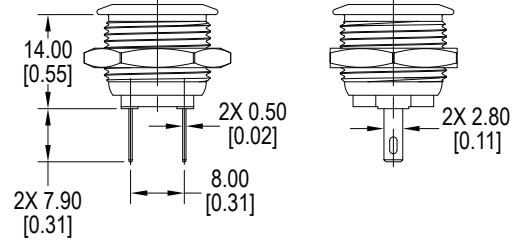
Illuminated Anti-Vandal Pushbutton – 16mm or 19mm

Terminal Options – 16mm

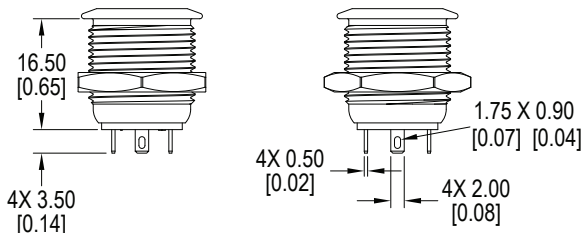
Solder Lug, Non-Illuminated



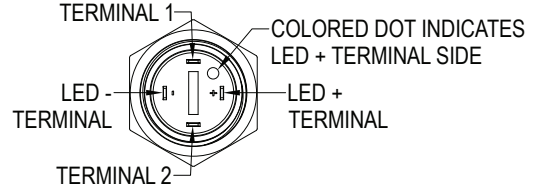
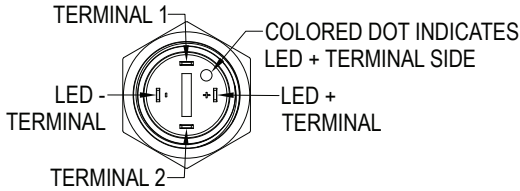
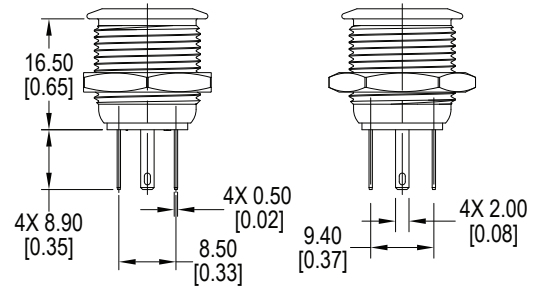
Quick Connect, Non-Illuminated



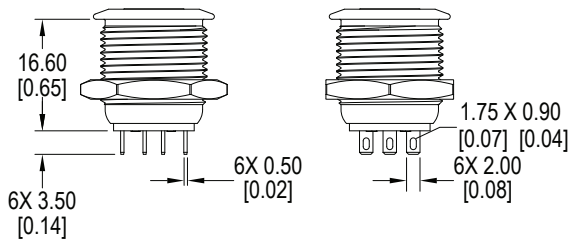
Solder Lug, Illuminated



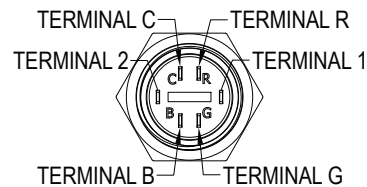
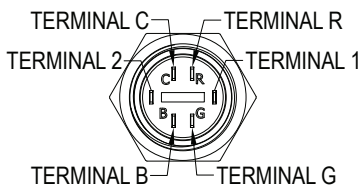
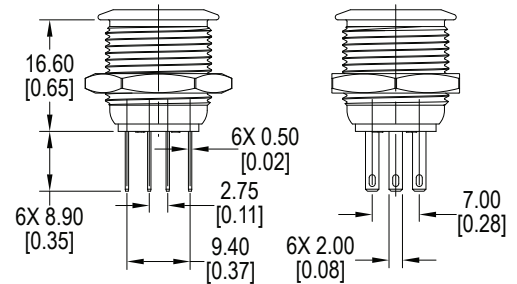
Quick Connect, Illuminated



Solder Lug, Illuminated, RGB

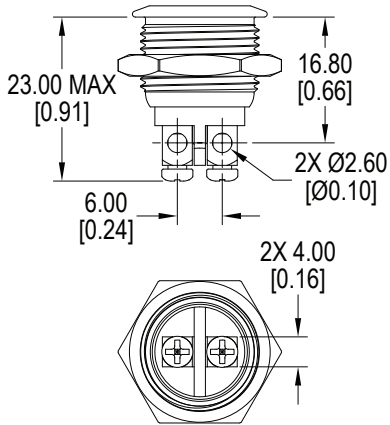


Quick Connect, Illuminated, RGB

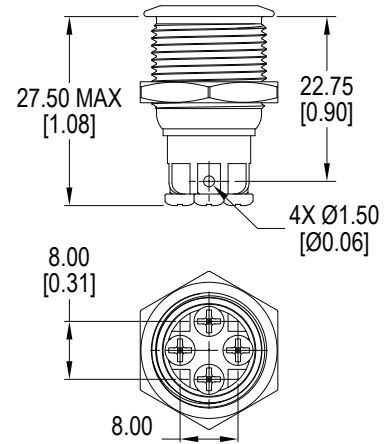


Terminal Options – 16mm continued

Screw Terminal, Non-Illuminated

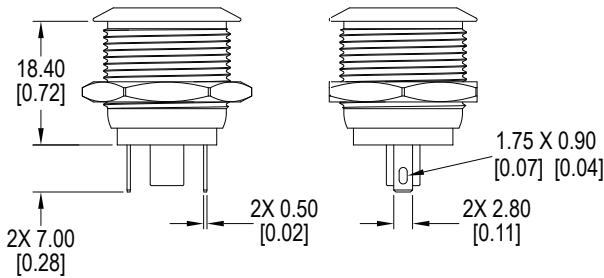


Screw Terminal, Non-Illuminated

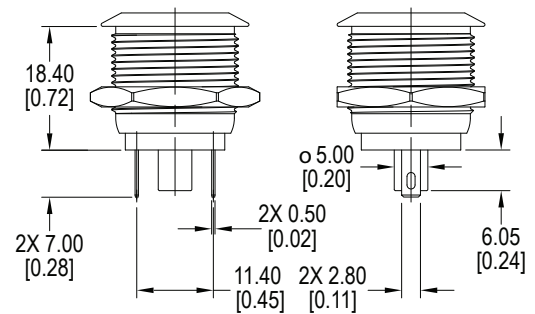


Terminal Options – 19mm

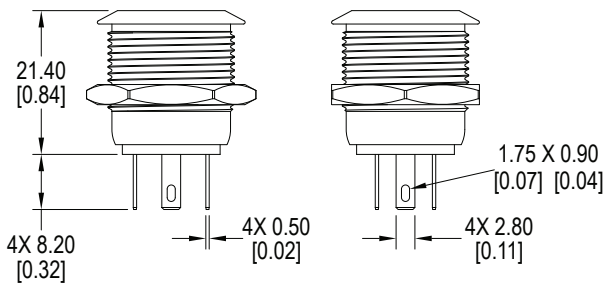
Solder Lug, Non-Illuminated



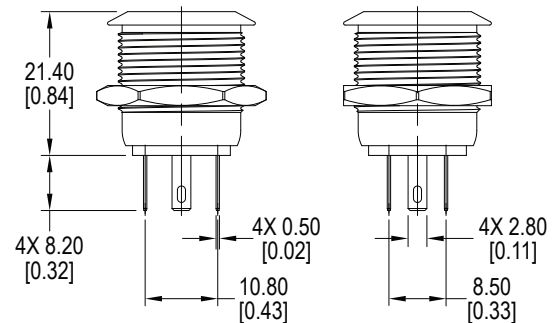
Quick Connect, Non-Illuminated



Solder Lug, Illuminated



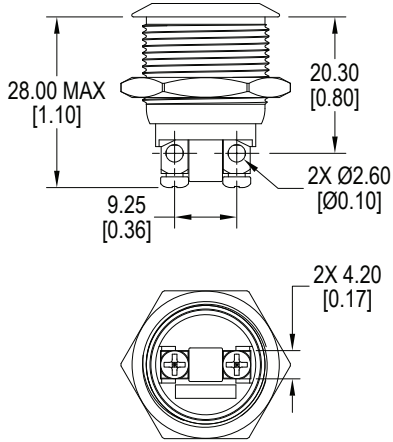
Quick Connect, Illuminated



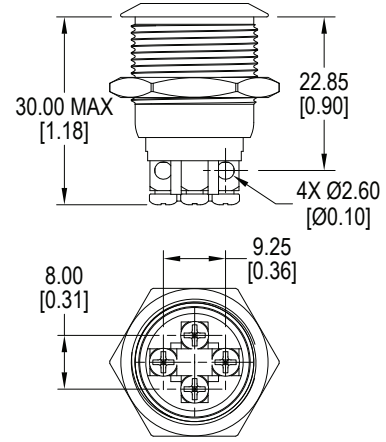
Illuminated Anti-Vandal Pushbutton – 16mm or 19mm

Terminal Options – 19mm continued

Screw Terminal, Non-Illuminated

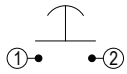


Screw Terminal, Non-Illuminated

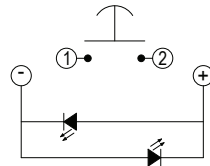


Schematics

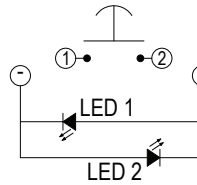
Non-Illuminated



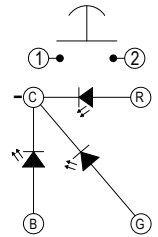
Single LED



Dual LED

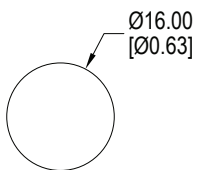


RGB LED

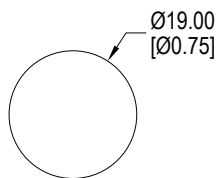


Panel Cutout

16mm



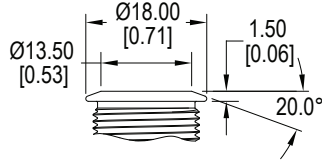
19mm



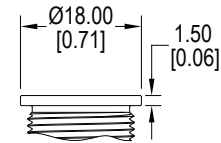
Bezel Detail

16mm

Standard

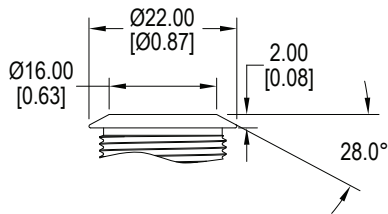


Straight

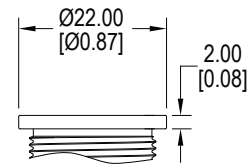


19mm

Standard



Straight



LED Characteristics

LED Ratings		Color						
		R	Y	G	B	O	W	Units
Reverse Voltage	V_R	5	5	5	5	5	5	V
Forward Current (avg)	I_F	25	25	30	30	25	30	mA
Forward Current (peak)	I_{FS}	120	120	160	160	120	160	mA
Reverse Current $V_R = 5V$	I_R	10	10	10	10	10	10	μA
Power Dissipation	P_T	80	80	120	120	80	120	mW
Operating & Storage Temperature	T_A	-40 ~ +85						C°
Forward Voltage (typ) $I_F = 20mA$	V_F	2.1	2.1	3.3	3.3	2.0	3.0	V
Forward Voltage (max) $I_F = 20mA$	V_F	2.4	2.5	3.6	3.6	2.3	3.6	V
Wavelength at Peak Emmission $I_F = 20mA$	λ_P	635	592	516	463	606	n/a	nm
Spectral Line Half-Width $I_F = 20mA$	$\Delta\lambda$	14	12	28	20	12	n/a	nm
Luminous Intensity, $I_F = 20mA$	LI	120	120	170	100	120	700	mcd
Viewing Angle	Θ	145	145	145	145	145	145	deg