

Process Sealed Sub-Miniature Rocker

Specifications

Electrical Ratings	3A @ 120VAC, 28VDC 1.5A @ 250VAC See Contact Options	Dielectric Strength	1000Vrms min
Electrical Life	30,000 cycles typical	Insulation Resistance	>1000MΩ min
Contact Resistance	<20mΩ initial @ 2-4VDC, 100mA	Operating Temperature	-40°C to 85°C
		Storage Temperature	-40°C to 85°C
		Sealing Degree	IP67

Materials

Actuator	6/6 Nylon, Glass Filled, Flame Retardant Heat Stabilized, UL94V-0
Housing	6/6 Nylon, Glass Filled, Flame Retardant Heat Stabilized, UL94V-0
Support Bracket	Brass, Tin Plated
Contacts	Copper Alloy, Silver Plated
Terminals	Copper Alloy, Silver Plated

Ordering Information

1. Series	BSR	1	3	R1	2			C	Q
BSR									
2. Number of Poles									
1 = SPDT									
2 = DPDT									
3. Switch Function									
1 = ON-NONE-ON									
2 = ON-NONE-(ON)									
3 = ON-OFF-ON									
4 = (ON)-OFF-(ON) **Only available in SPDT									
5 = ON-OFF-(ON) **Only available in SPDT									
4. Actuator									
R1 = Rocker, PC mount									
R2 = Rocker, PC mount									
5. Actuator Color									
1 = White									
2 = Black									
3 = Red									
6. Actuator Marking Style									
Blank = No Marking									
A									
B									
C									
7. Actuator Marking Color									
Blank = No marking									
W = White, standard									
B = Black									
8. Terminals									
C = PC pin									
H = Horizontal mount, right angle PC pin; HS = Snap-in									
V = Vertical mount, right angle PC pin; VS = Snap-in									
A5 = PC pin with support bracket; A5S = Snap-in support bracket									
9. Contacts									
Q = Silver plated									
R = Gold plated									
G = Gold over Silver plated									

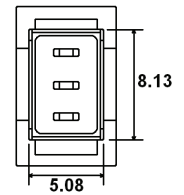
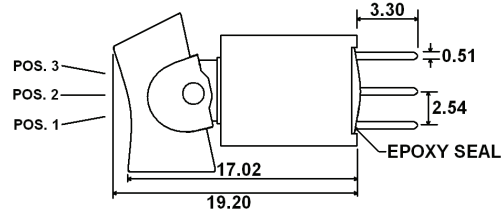
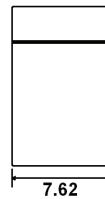
Switch Function



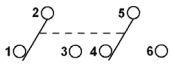
SPDT



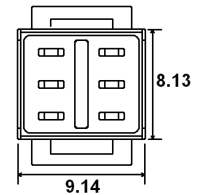
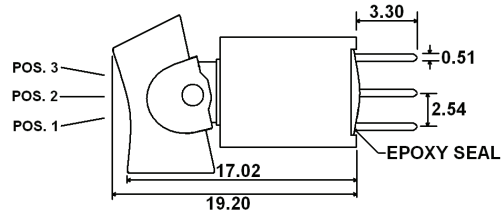
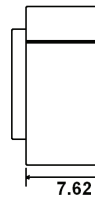
Function	Rocker Position		
1	ON	NONE	ON
2	ON	NONE	(ON)
3	ON	OFF	ON
4	(ON)	OFF	(ON)
5	ON	OFF	(ON)
Terminals	2-3	-	2-1



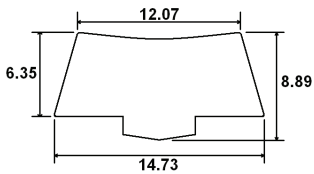
DPDT



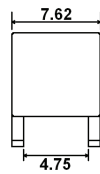
Function	Rocker Position		
1	ON	NONE	ON
2	ON	NONE	(ON)
3	ON	OFF	ON
Terminals	2-3	-	2-1



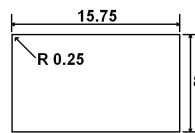
Actuator Options



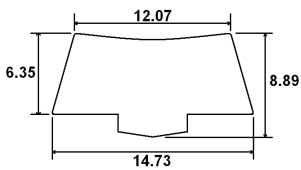
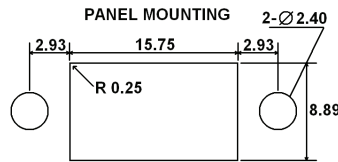
R1



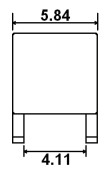
PC MOUNTING



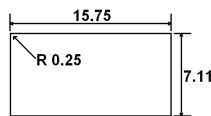
PANEL MOUNTING



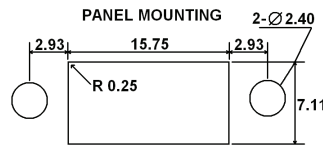
R2



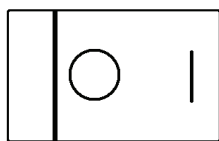
PC MOUNTING



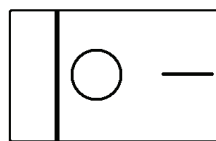
PANEL MOUNTING



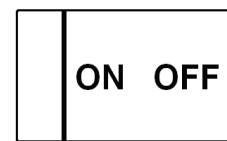
Actuator Markings



A

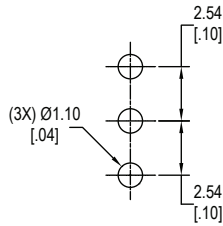
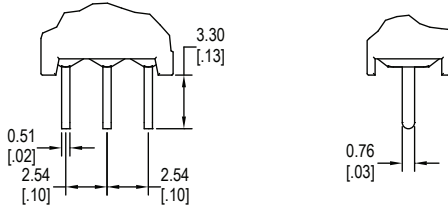


B

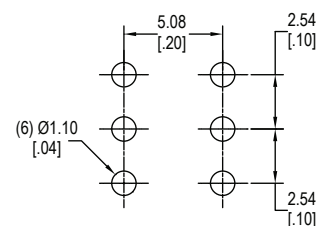
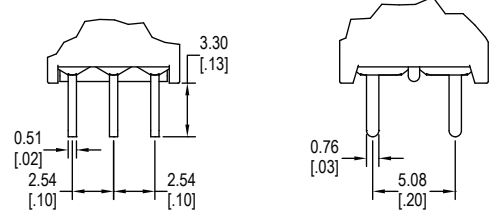


C

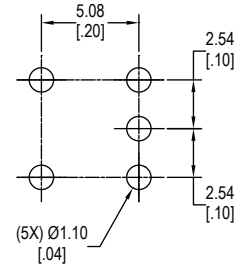
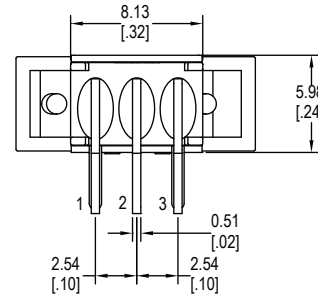
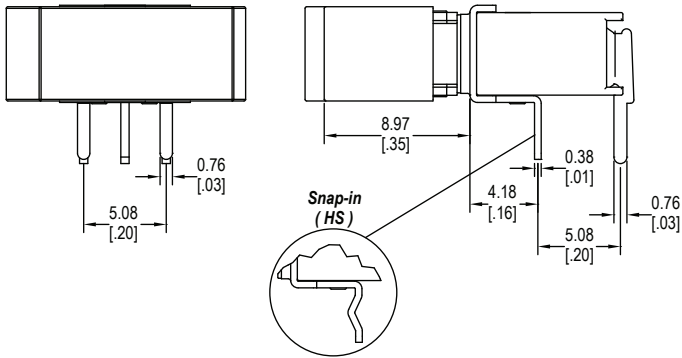
Terminal Options



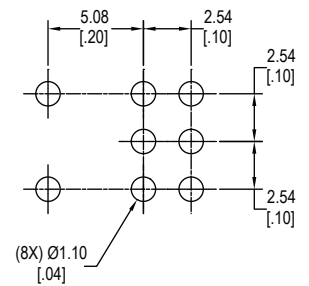
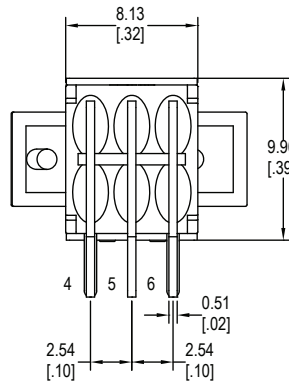
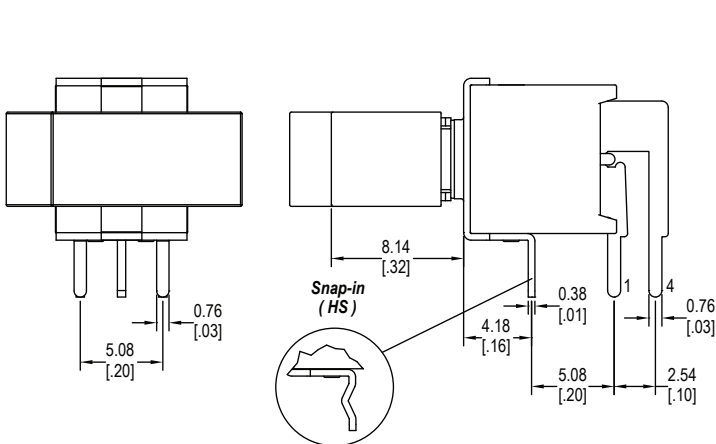
C SPDT



D DPDT

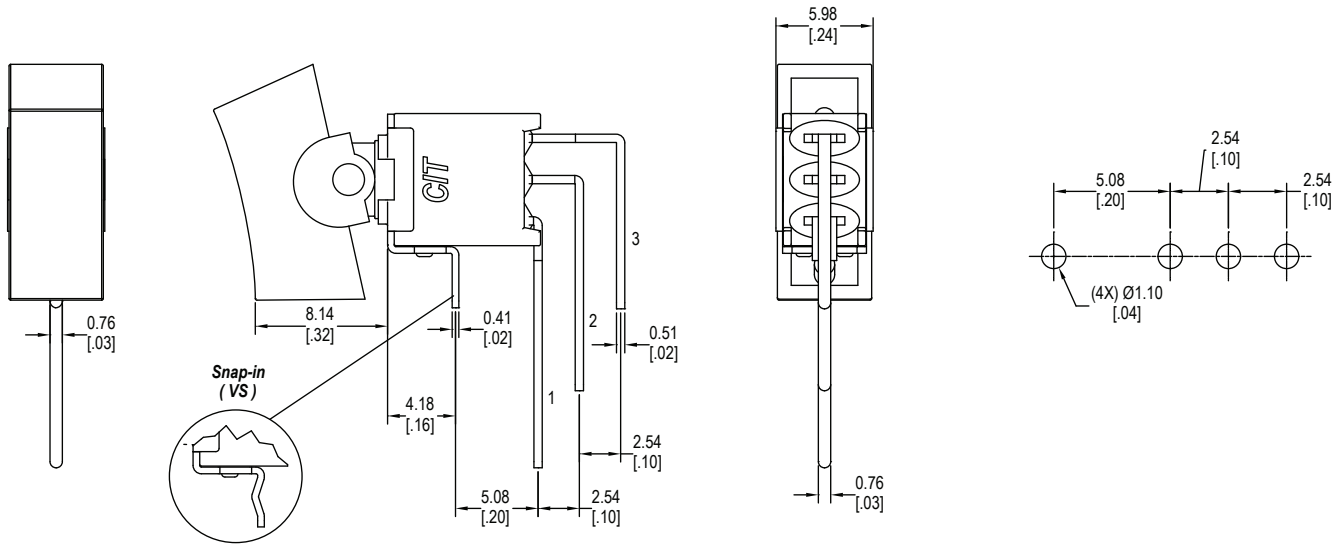


H (HS - Snap In) = Horizontal mount, right angle PC pins, single pole

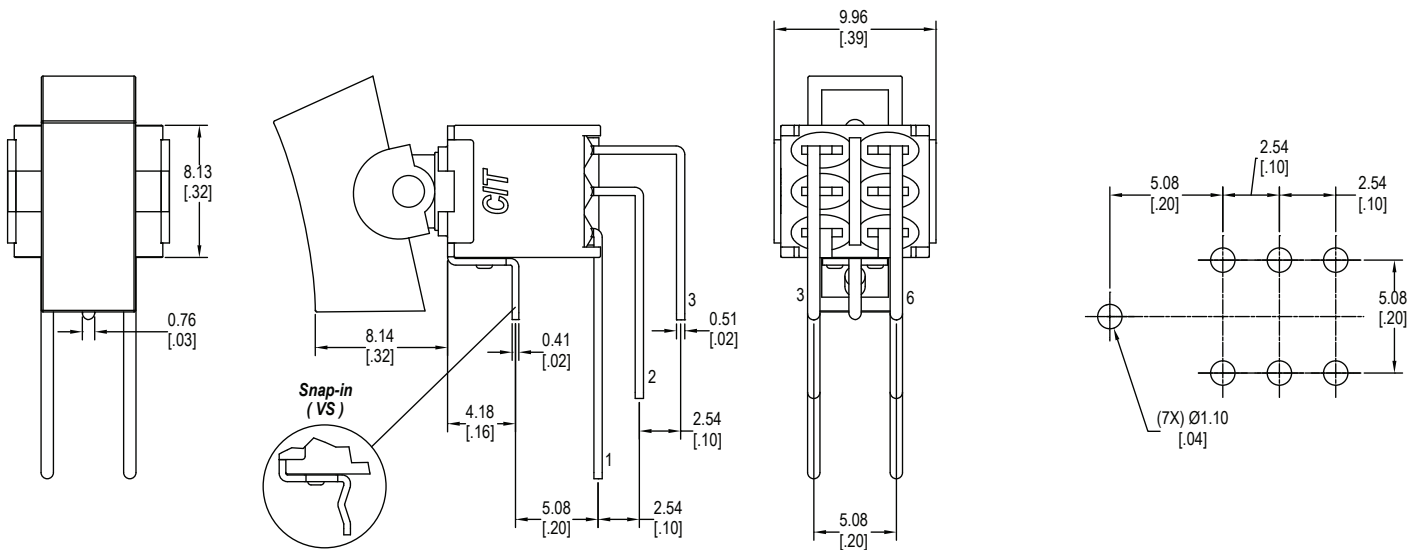


H (HS - Snap In) = Horizontal mount, right angle PC pins, double pole

Terminal Options

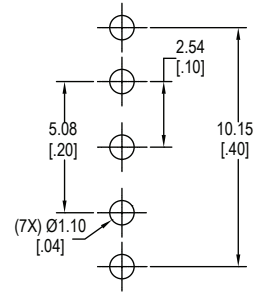
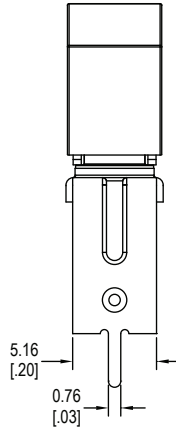
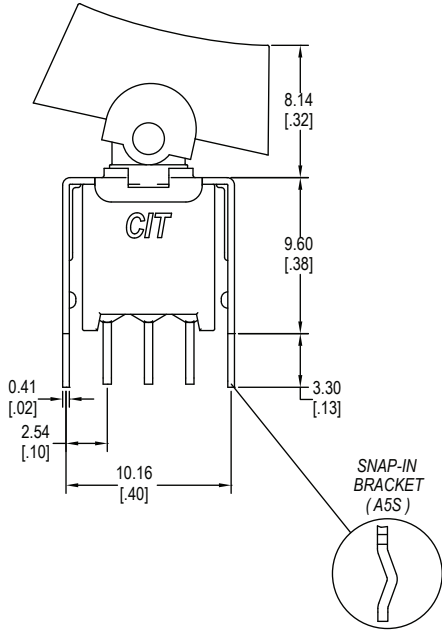


V (VS - Snap In) = Vertical mount, right angle PC pins, single pole

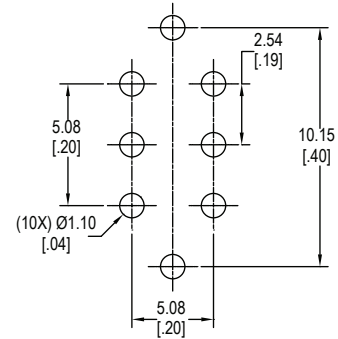
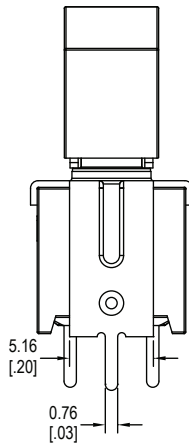
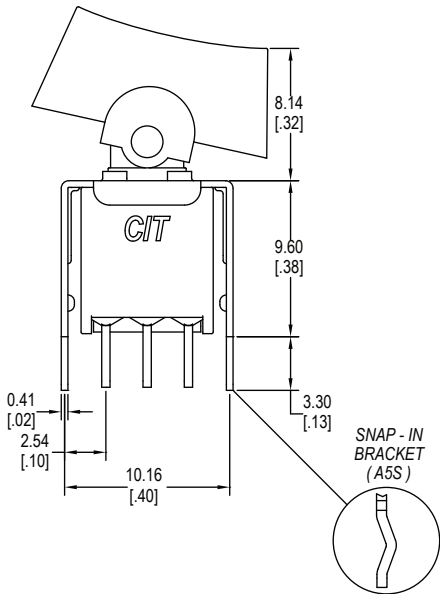


V (VS - Snap In) = Vertical mount, right angle PC pins, double pole

Terminal Options



A5 (A5S - Snap In support bracket) = PC pins with support bracker, single pole



A5 (A5S - Snap In support bracket) = PC pins with support bracket, double pole

Contact Options

Designator	Contact Material	Terminal Material	Electrical Ratings
Q	Silver Plating	Silver Plating	3A @ 120VAC, 28VDC; 1.5A @ 250VAC
R	Gold over Nickel Plating	Gold over Nickel Plating	0.4VA max @ 20VAC or VDC max
G	Gold over Silver Plating	Gold over Silver Plating	0.4VA max @ 20VAC or VDC max or 3A @ 120VAC, 28VDC; 1.5A @ 250VAC