



RoHS Compliant

CS1104

Surface Mount Tactile

Specifications

Electrical Ratings	50mA @ 50VDC
Electrical Life	100,000 cycles typical
Contact Resistance	≤ 50mΩ initial
Actuation Force	160gF ± 50gF 260gF ± 50gF
Actuation Travel	.25 ± 0.1mm

Dielectric Strength	1000Vrms min
Insulation Resistance	≥ 100MΩ min
Operating Temperature	-40°C to +85°C
Storage Temperature	-40°C to +85°C

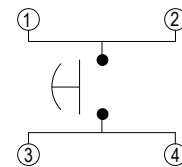
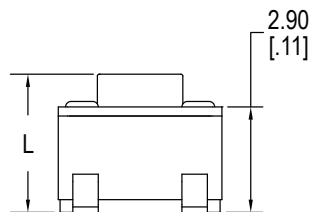
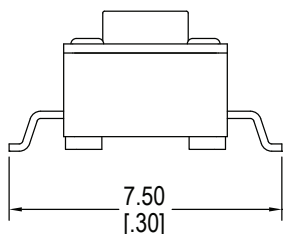
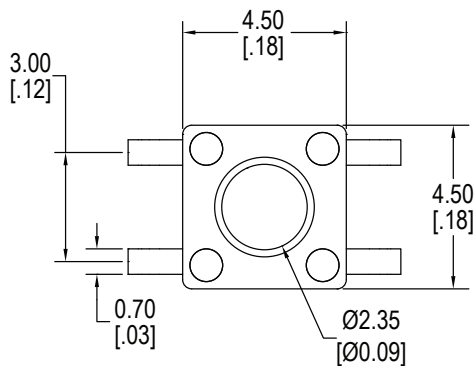
Materials

Actuator	4/6 Nylon
Base	4/6 Nylon
Cover	Stainless Steel
Contacts	Phosphor Bronze, Silver Plated
Terminals	Brass, Silver Plated

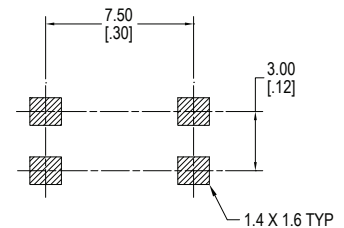
Ordering Information

1. Series	CS1104	3.8	F180
CS1104			
2. Actuation Length "L"			
3.8 = 3.8mm			
7.0 = 7.0mm			
3. Actuation Force			
F160 = 160gF			
F260 = 260gF			

Dimensions



Schematic



PC Layout