

RoHS Compliant

CS1110

Surface Mount Tactile

Specifications

Electrical Ratings	50mA @ 50VDC
Electrical Life	100,000 cycles typical
Contact Resistance	<50mΩ initial
Actuation Force	160 ± 50gF
Actuation Travel	.25 ± .1mm

Dielectric Strength	250Vrms min
Insulation Resistance	>100MΩ min
Operating Temperature	-40°C to 85°C
Storage Temperature	-40°C to 85°C

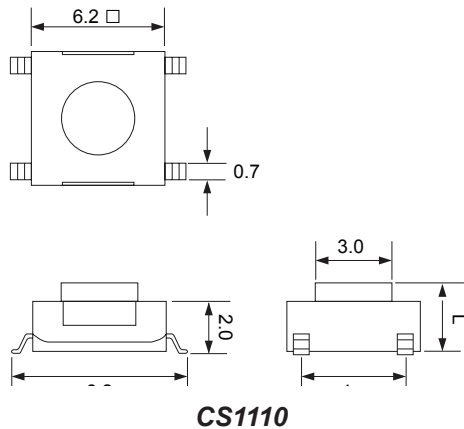
Materials

Actuator	4/6 Nylon
Housing	4/6 Nylon
Cover	Steel
Contacts	Phosphor Bronze, Silver Plated
Terminals	Brass, Silver Plated

Ordering Information

1. Series	CS1110	3.1
	CS1110	
	CS1110A with grounding pin	
2. Actuator Length "L" mm		
	2.0	
	2.3	
	2.5	
	3.1	

Dimensions



Schematic & PC Layout

