

RoHS Compliant

CS1204

Surface Mount Tactile

Specifications

Electrical Ratings	50mA @ 50VDC
Electrical Life	100,000 cycles typical
Contact Resistance	<50mΩ initial
Actuation Force	160 ± 50gF 260 ± 50gF
Actuation Travel	.25 ± .1mm

Dielectric Strength	250Vrms min
Insulation Resistance	>100MΩ min
Operating Temperature	-40°C to 85°C
Storage Temperature	-40°C to 85°C

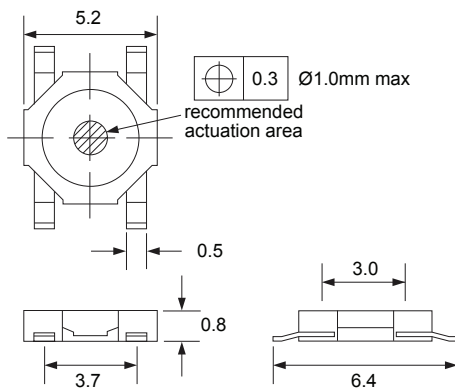
Materials

Actuator	Brass
Housing	PA6T Nylon
Cover	Stainless Steel
Contacts	Stainless Steel, Silver Plated
Terminals	Phosphor Bronze, Silver Plated

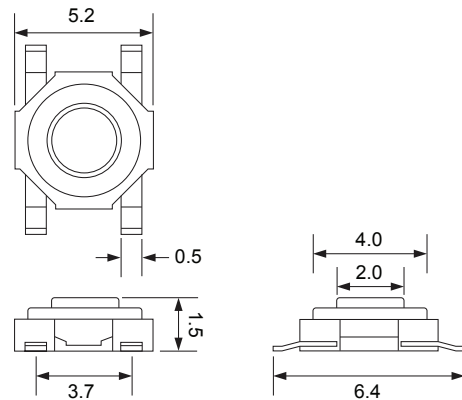
Ordering Information

1. Series	CS1204	F160
	CS1204 CS1204A	
2. Actuation Force	F160 = 160gF F260 = 260gF	

Dimensions



CS1204



CS1204A

Schematic & PC Layout

