



RoHS Compliant

# CS1210

Surface Mount Tactile

## Specifications

Electrical Ratings	50mA @ 50VDC
Electrical Life	100,000 cycles typical
Contact Resistance	<50mΩ initial
Actuation Force	160 ± 50gF 260 ± 50gF
Actuation Travel	.20 ± .1mm

Dielectric Strength	250Vrms min
Insulation Resistance	>100MΩ min
Operating Temperature	-40°C to 85°C
Storage Temperature	-40°C to 85°C

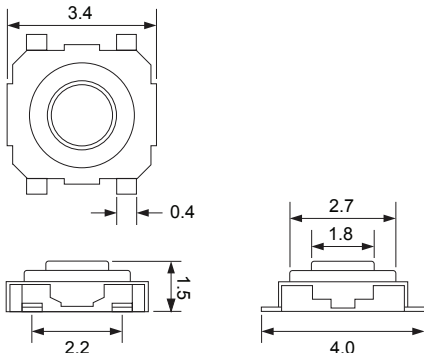
## Materials

Actuator	PA6T Nylon
Housing	PA6T Nylon
Cover	Stainless Steel
Contacts	Stainless Steel, Silver Plated
Terminals	Phosphor Bronze, Silver Plated

## Ordering Information

1. Series	CS1210	F160
	CS1210	
2. Actuation Force		
	F160 = 160gF	
	F260 = 260gF	

## Dimensions



## Schematic & PC Layout

