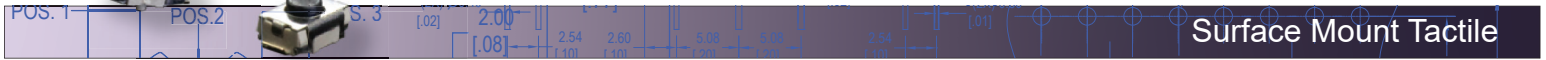


RoHS Compliant



Specifications

Electrical Ratings	50mA @ 50VDC
Electrical Life	200,000 cycles typical
Contact Resistance	≤ 50mΩ initial
Actuation Force	160gF ± 50gF 260gF ± 50gF
Actuation Travel	.15 ± 0.05mm

Dielectric Strength	250Vrms min
Insulation Resistance	≥ 100MΩ min
Operating Temperature	-40°C to +85°C
Storage Temperature	-40°C to +85°C

Materials

Actuator	4/6 Nylon
Housing	4/6 Nylon
Cover	Stainless Steel
Contacts	Stainless Steel, Silver Plated
Terminals	Brass, Silver Plated

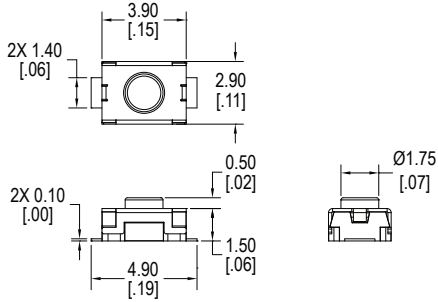
Ordering Information

1. Series	CS1213	A	J	F160
CS1213				
2. Locating Boss Option				
A = Without Boss				
B = With Boss				
3. Terminal Option				
G = Gull Wing				
J = J Lead				
4. Actuation Force				
F160 = 160gF				
F260 = 260gF				

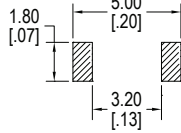
CS1213

Surface Mount Tactile

Dimensions



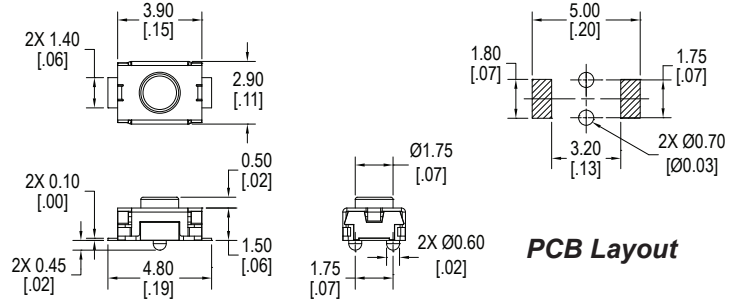
CS1213AG



PCB Layout



Schematic

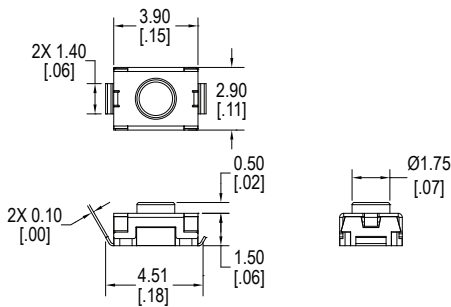


CS1213BG

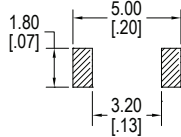
PCB Layout



Schematic



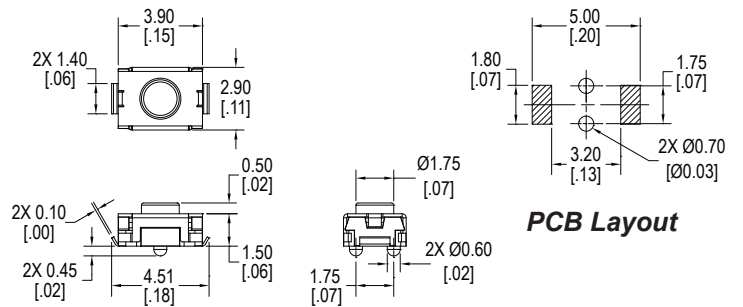
CS1213AJ



PCB Layout



Schematic



CS1213BJ

PCB Layout



Schematic