

RoHS Compliant

CS1214

Surface Mount Tactile

Specifications

Electrical Ratings	50mA @ 50VDC
Electrical Life	100,000 cycles typical
Contact Resistance	<50mΩ initial
Actuation Force	160 ± 50gF 260 ± 50gF
Actuation Travel	.25 ± .1mm

Dielectric Strength	250Vrms min
Insulation Resistance	>100MΩ min
Operating Temperature	-40°C to 85°C
Storage Temperature	-40°C to 85°C

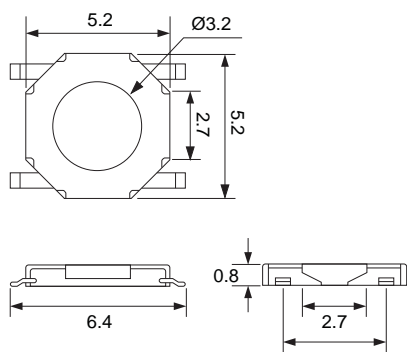
Materials

Actuator	Brass
Housing	LCP
Cover	Stainless Steel
Contacts	Stainless Steel, Silver Plated
Terminals	Phosphor Bronze, Silver Plated

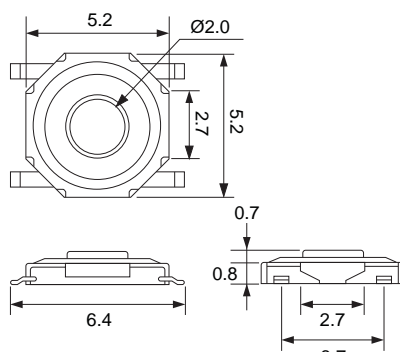
Ordering Information

1. Series	CS1214	J	F160
CS1214 CS1214E			
2. Actuation Option Blank = Flat Actuator A = Extended Actuator			
3. Terminal Option G = Gull Wing J = J Lead			
4. Actuation Force F160 = 160gF F260 = 260gF			

Dimensions

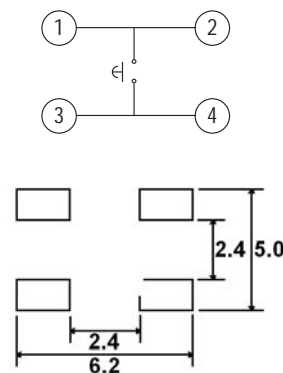


CS1214G



CS1214AG

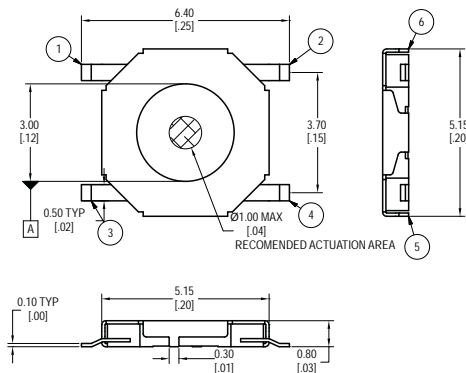
Schematic & PC Layout



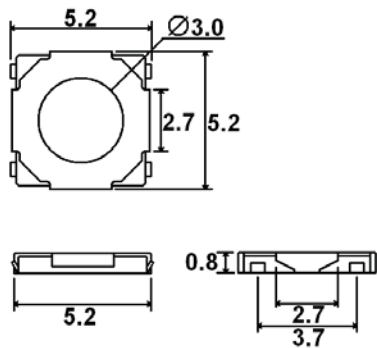
CS1214

Surface Mount Tactile

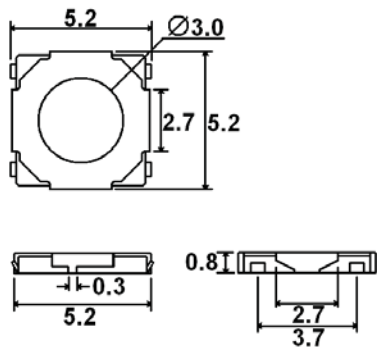
Dimensions



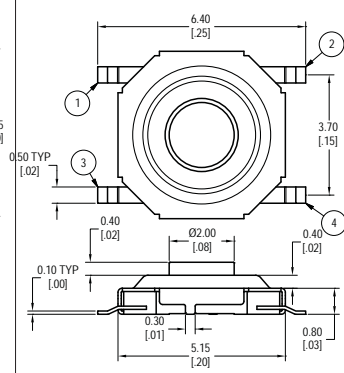
CS1214EG



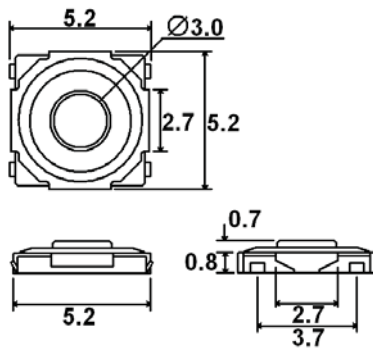
CS1214J



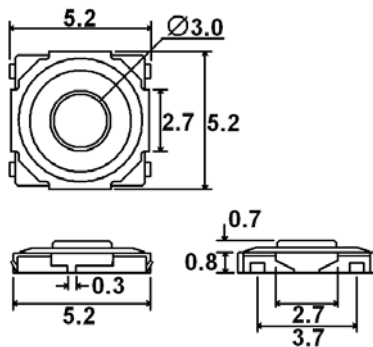
CS1214EJ



CS1214EAG



CS1214AJ



CS1214EAJ

Schematic & PC Layout

