



RoHS Compliant

CS1215

Surface Mount Tactile

Specifications

Electrical Ratings	50mA @ 50VDC
Electrical Life	100,000 cycles typical
Contact Resistance	<50mΩ initial
Actuation Force	160 ± 100gF 260 ± 100gF 450 ± 100gF

Dielectric Strength	250Vrms min
Insulation Resistance	>100MΩ min @ 500VDC
Operating Temperature	-40°C to 85°C
Storage Temperature	-40°C to 85°C
Packaging Information	3,000 pieces per reel

Materials

Actuator	LCP
Housing	LCP
Cover	Stainless Steel
Contacts	Copper Alloy, Silver Plated
Terminals	Copper Alloy, Silver Plated

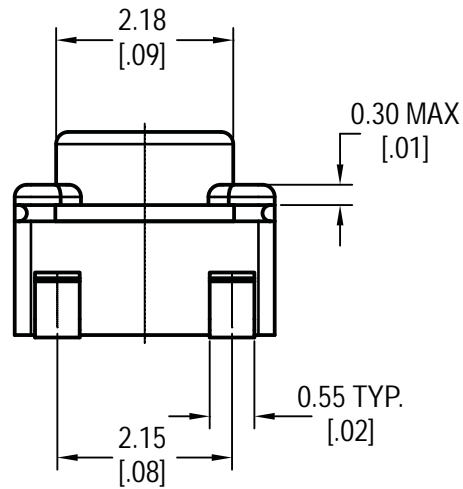
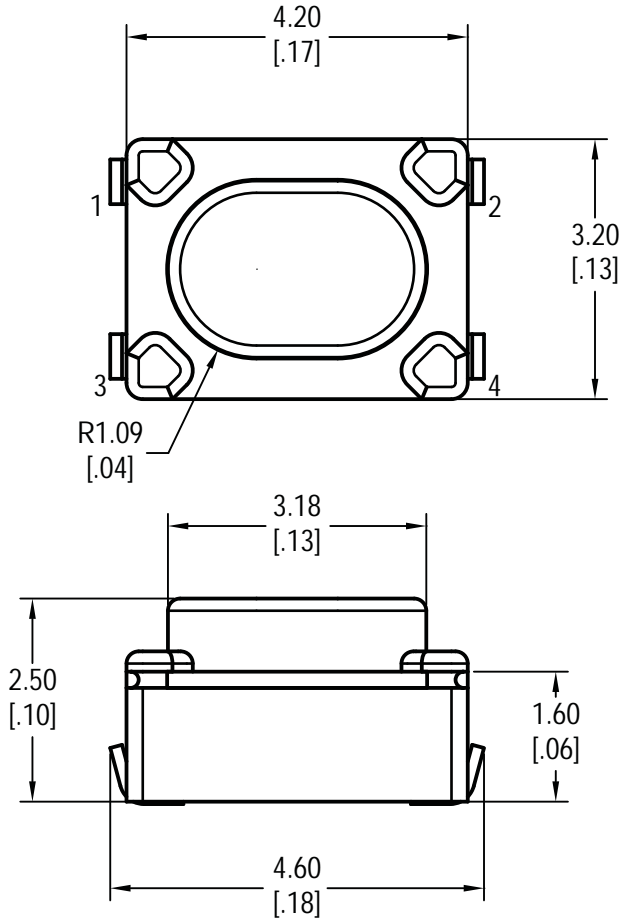
Ordering Information

1. Series	CS1215	A	J	F160
CS1215				
2. Actuation Option	A = 2.50mm			
3. Terminal Option	J = J Lead			
4. Actuation Force	F160 = 160gF F260 = 260gF F450 = 450gF			

CS1215

Surface Mount Tactile

Dimensions



Schematic & PC Layout

