



RoHS Compliant

CS3304

Surface Mount Tactile

Specifications

Electrical Ratings	50mA @ 50VDC
Electrical Life	100,000 cycles typical
Contact Resistance	≤ 50mΩ initial
Actuation Force	160gF ± 50gF
Actuation Travel	.25 ± 0.1mm

Dielectric Strength	250Vrms min
Insulation Resistance	≥ 100MΩ min
Operating Temperature	-40°C to 85°C
Storage Temperature	-40°C to 85°C
Standard Packaging	
3.4mm :	1,500 pieces per reel
5.1mm :	1,000 pieces per reel

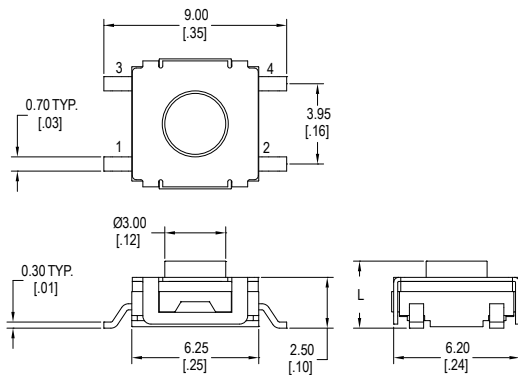
Materials

Actuator	Rubber
Housing	PA6T Nylon
Cover	Steel
Contacts	Phosphor Bronze, Silver Clad
Terminals	Brass, Silver Plated

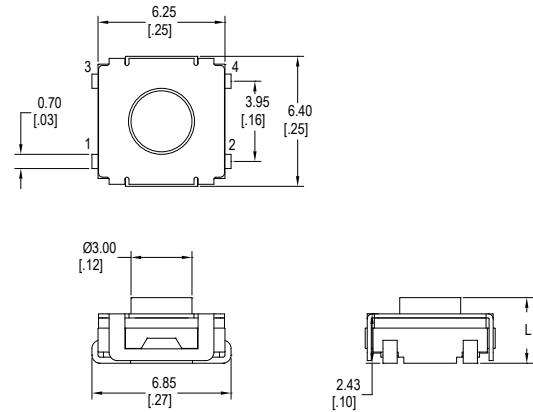
Ordering Information

1. Series	CS3304	3.4	G
CS3304			
2. Actuation Length "L"			
3.4 = 3.4mm			
5.1 = 5.1mm			
3. Terminal Options			
G = Gull Wing			
J = J Lead			

Dimensions

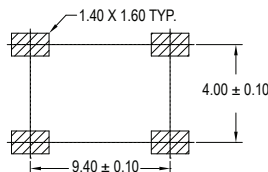
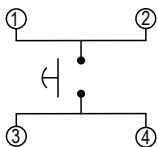


CS3304G

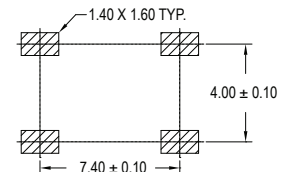


CS3304J

Schematic & PC Layout



CS3304G



CS3304J