

RoHS Compliant

Process Sealed Sub-Miniature Pushbutton

**Specifications**

Electrical Ratings	.4VA max @ 20VAC or VDC max
Electrical Life	40,000 cycles typical
Contact Resistance	≤100mΩ initial
Actuation Force	250 ± 100gF
Actuator Full Travel	1.0 ± 0.3mm

Dielectric Strength	500Vrms min between contacts
Insulation Resistance	≥500MΩ min
Operating Temperature	-40°C to 85°C
Storage Temperature	-40°C to 85°C
Sealing Degree	IP67

**Materials**

Actuator	6/6 Nylon, Glass Filled, Flame Retardant, Heat Stabilized, UL94V-0
Housing	6/6 Nylon, Glass Filled, Flame Retardant, Heat Stabilized, UL94V-0
Bracket	Steel, Tin Plated
Contacts	Copper Alloy, Gold over Nickel Plated
Terminals	Copper Alloy, Gold over Nickel Plated

**Ordering Information**

1. Series	CSP	1	0	P	C	R	C882
CSP							
2. Number of Poles 1 = Single Pole 2 = Double Pole							
3. Switch Function 0 = OFF- (ON) 1 = ON - (ON)							
4. Actuator / Bushing P = 3.30mm actuator, non-threaded							
5. Terminals C = PC pin H = Horizontal mount, right angle PC pin V = Vertical mount, right angle PC pin							
6. Contacts R = Gold plated							
8. Cap Options	Cap Colors						
C88	1 = White 2 = Black 3 = Red						

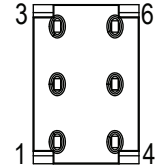
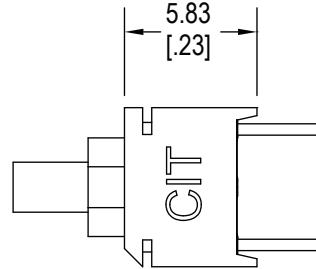
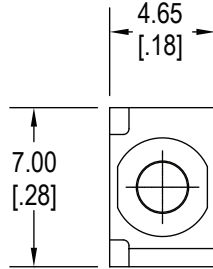
## Switch Function



**SPST NO**



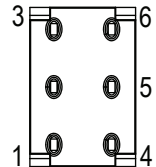
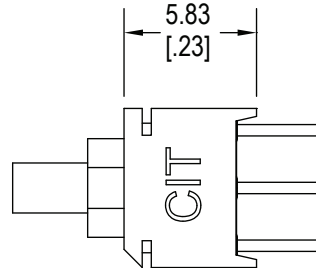
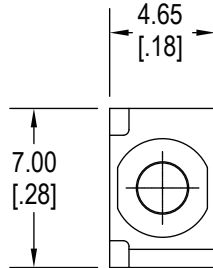
FUNCTION	PUSHBUTTON POSITION	
0	OFF	(ON)
TERMINALS	--	4-6



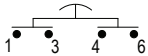
**SPDT**



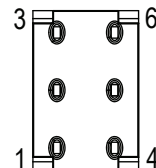
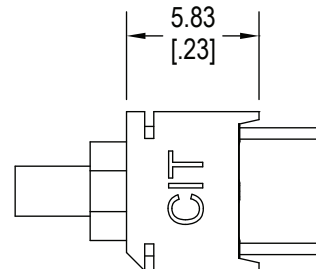
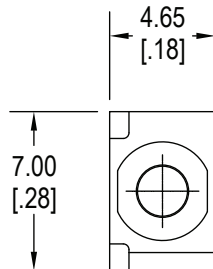
FUNCTION	PUSHBUTTON POSITION	
1	ON	(ON)
TERMINALS	5-6	5-4



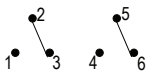
**DPST NO**



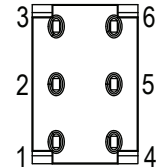
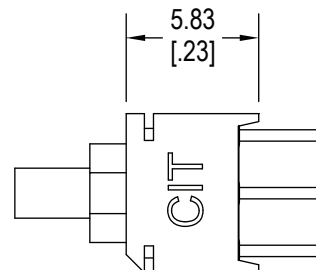
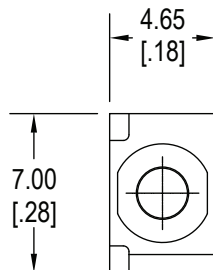
FUNCTION	PUSHBUTTON POSITION	
0	OFF	(ON)
TERMINALS	--	1-3,4-6



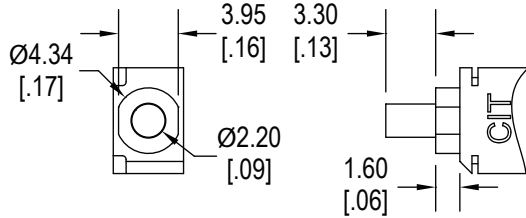
**DPDT**



FUNCTION	PUSHBUTTON POSITION	
1	ON	(ON)
TERMINALS	2-3,5-6	2-1,5-4

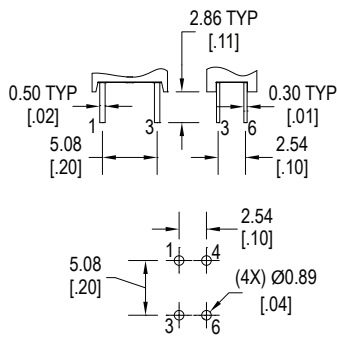


**Actuator / Bushing Options**

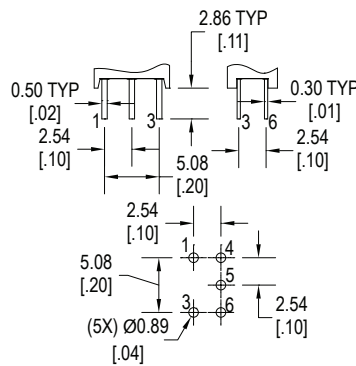


**P**

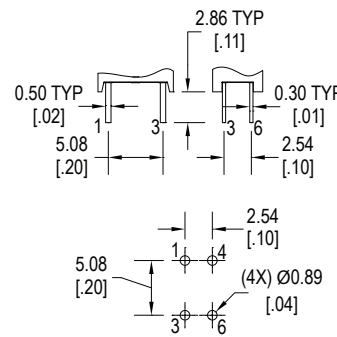
**Terminal Options**



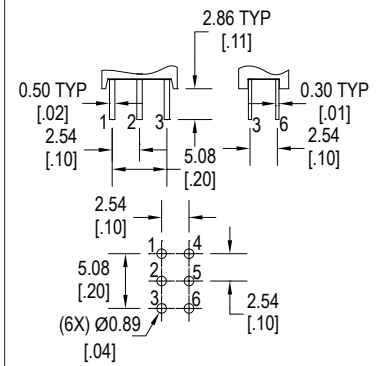
**C SPST NO**



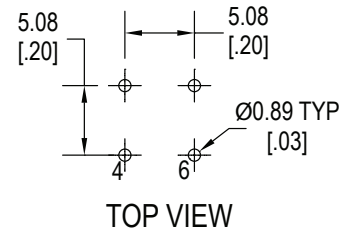
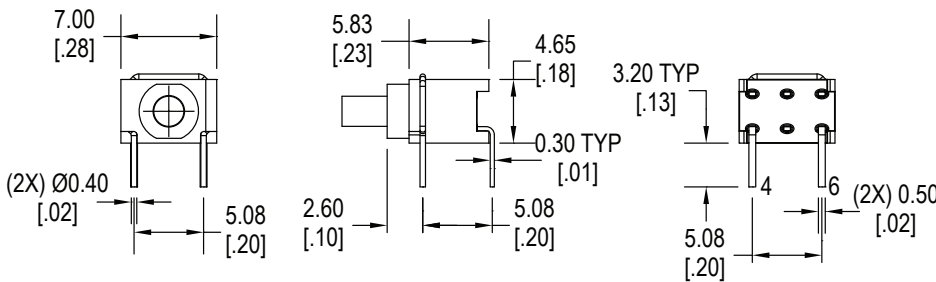
**C SPDT**



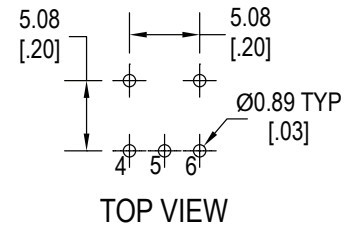
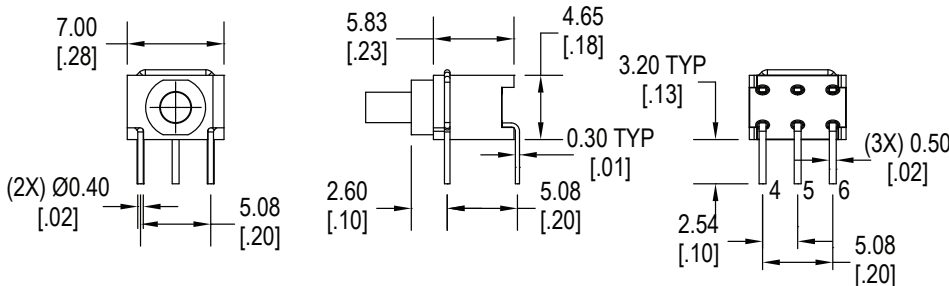
**C DPST NO**



**C DPDT**

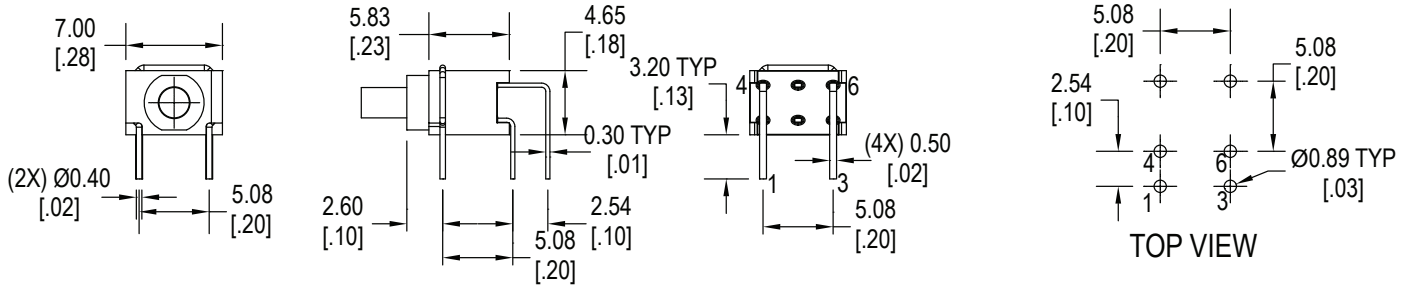


**H = Horizontal mount, right angle PC pins, SPST NO**

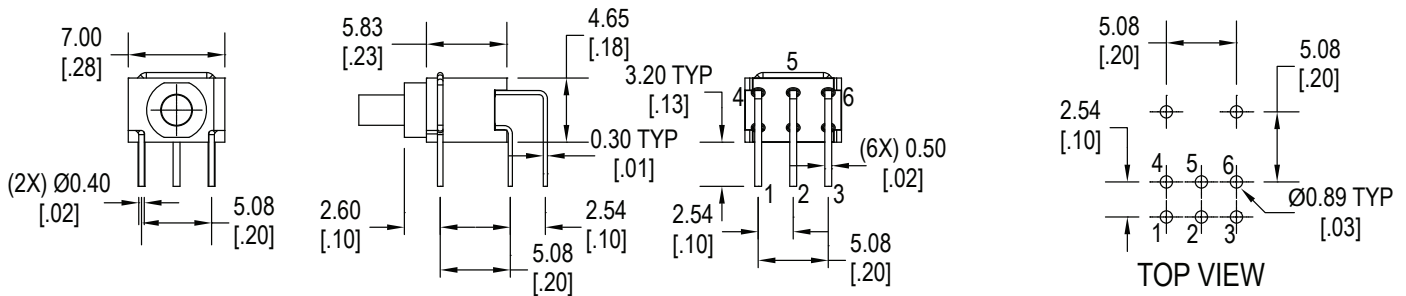


**H = Horizontal mount, right angle PC pins, SPDT**

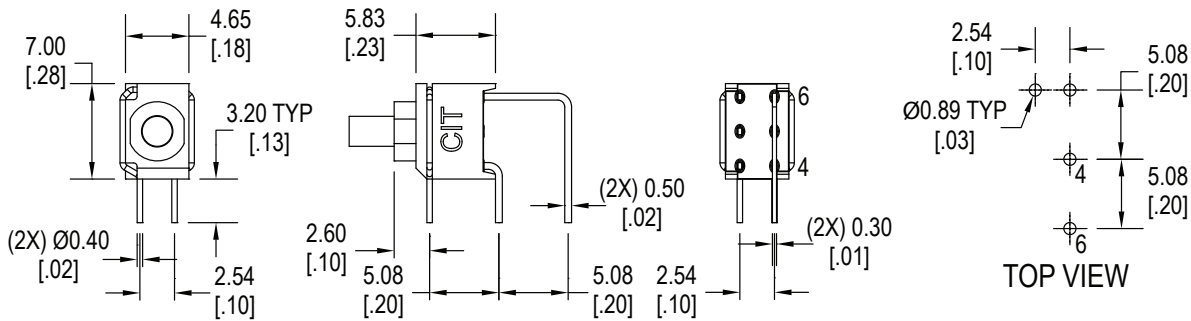
**Terminal Options**



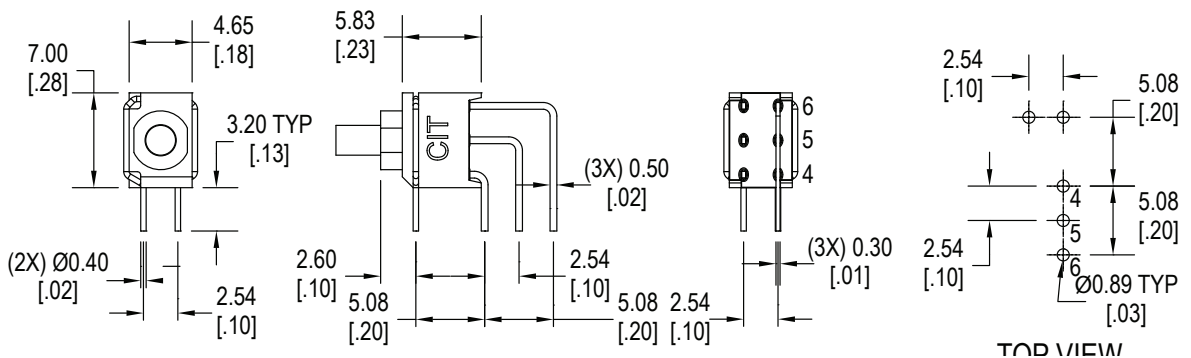
**H = Horizontal mount, right angle PC pins, DPST NO**



**H = Horizontal mount, right angle PC pins, DPDT**

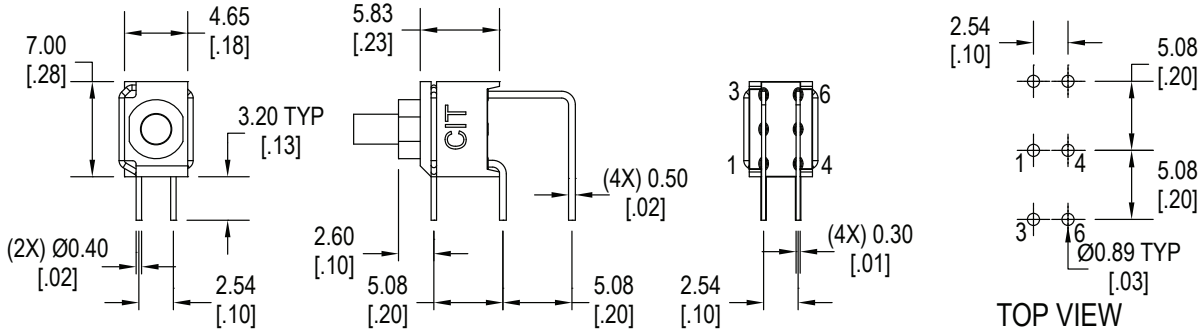


**V = Vertical mount, right angle PC pins, SPST NO**

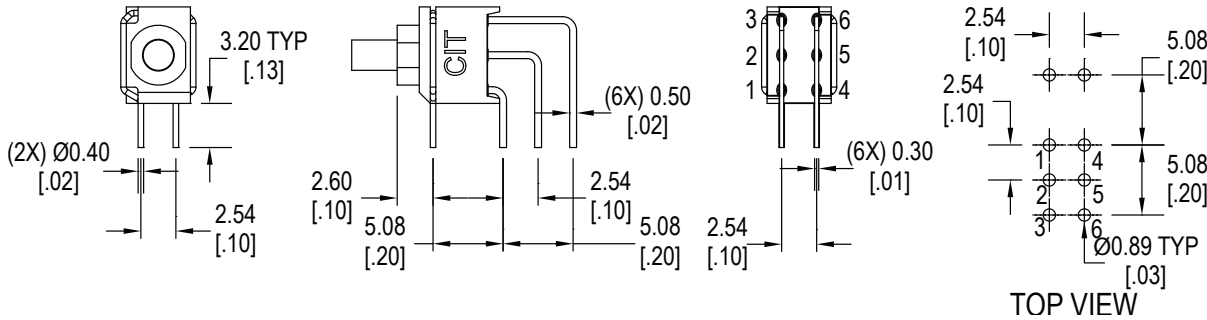


**V = Vertical mount, right angle PC pins, SPDT**

**Terminal Options**

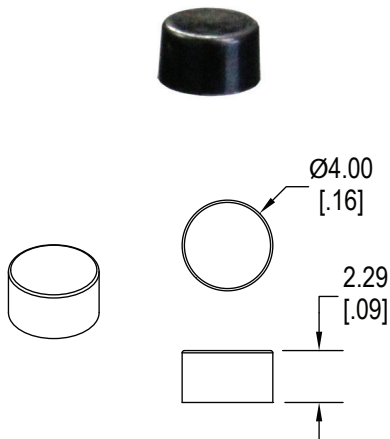


**V = Vertical mount, right angle PC pins, DPST NO**



**V = Vertical mount, right angle PC pins, DPDT**

**Cap Options**



**C88\_**

1 = White, 2 = Black, 3 = Red  
Contact Factory for other available colors