



Specifications

Electrical Ratings	.4VA max @ 20VDC or VAC max	Actuation Force	250 ± 100gF
Electrical Life	100,000 cycles typical	Actuation Travel	1.8 ± .3mm
Contact Resistance	≤ 50mΩ initial	Insulation Resistance	≥ 100MΩ min
Dielectric Strength	750Vrms min	Operating Temperature	-40°C to 85°C
		Storage Temperature	-40°C to 85°C

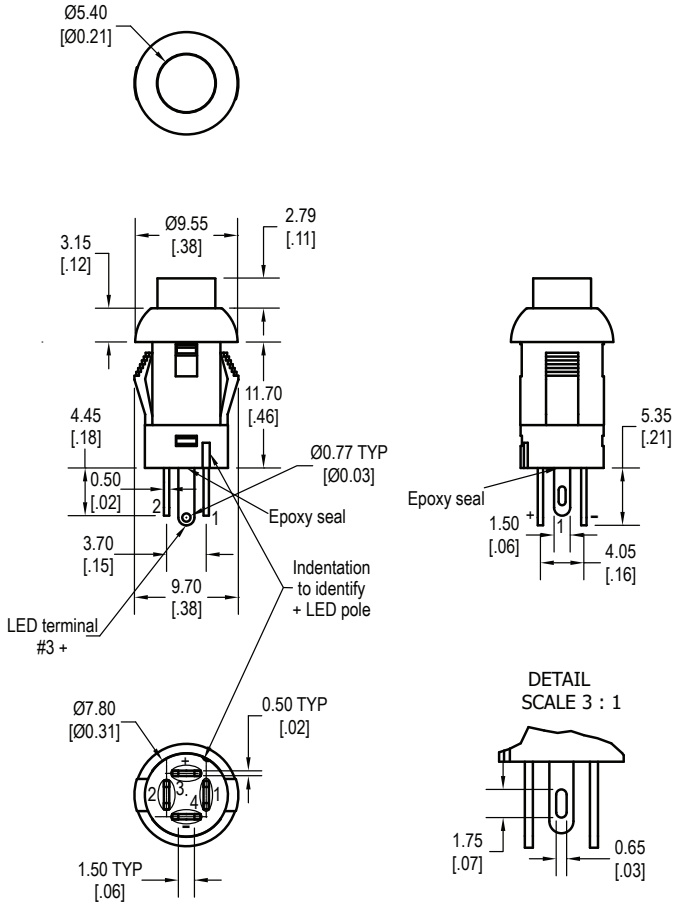
Materials

Actuator	Polycarbonate (PC)
Housing	Nylon
Contacts	Copper Alloy, Silver Plated or Gold over Nickel plated
Terminals	Copper Alloy, Silver Plated or Gold over Nickel plated

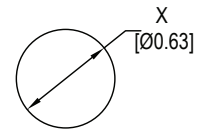
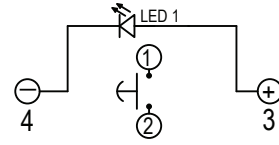
Ordering Information

	DG	R	Y	R
1. Series	DG			
2. First LED Color				
R = Red				
G = Green				
Y = Yellow				
B = Blue				
W = White				
3. Second LED Color				
X = No 2nd LED				
Contact Factory				
4. Contact Material				
R = Gold				

Dimensions



Schematic & Panel Cutout



Panel Thickness	"X"
1.0 ~ 2.0	8.0 ~ 8.2
2.0 ~ 2.5	8.2 ~ 8.4
2.5 ~ 3.0	8.4 ~ 8.6

LED Characteristics

LED Ratings		Color					
		R	Y	G	B	W	Units
Forward Current (avg)	I_F	30	30	30	30	30	mA
Reverse Voltage	V_F	5.0	5.0	5.0	5.0	5.0	V
Reverse Current $V_R = 5V$	I_R	10	10	10	50	10	μA
Forward Voltage (typ) $I_F = 20mA$	V_F	1.7-2.6	1.7-2.6	1.7-2.6	2.5-3.5	3.3-3.8	V
Luminous Intensity, $I_F = 20mA$	LI	100	200	100	160	145	mcd