

RoHS Compliant

DH40

Illuminated Pushbutton

Specifications

Electrical Ratings	2A @ 24VDC 2A @ 125VAC 1A @ 250VAC
Sealing Degree	IP67
Electrical Life	50,000 cycles typical
Contact Resistance	≤ 50mΩ initial
Actuation Force	550 ± 50gF
Actuation Travel	2.5 ± .3mm

Operation Life	50,000 cycles typical
Dielectric Strength	2000Vrms min contact to contact 2000Vrms min contact to LED
Insulation Resistance	≥ 100MΩ min
Operating Temperature	-25°C to 70°C
Storage Temperature	-25°C to 70°C

Materials

Actuator	Stainless Steel or Anodized Aluminum
LED Lens	Polycarbonate (PC)
Threaded Body	Stainless Steel
Terminal Support	Polybutylene Terephthalate (PBT)
Inner Switch Body	Polycarbonate (PC)
Contacts	Silver Alloy
Terminals	Brass, Epoxy Sealed
Hardware	One Hex Nut & One "O" Ring Supplied

Contact Factory for:

- Cable Assembly
- Shine Through Symbols
- Laser Etching



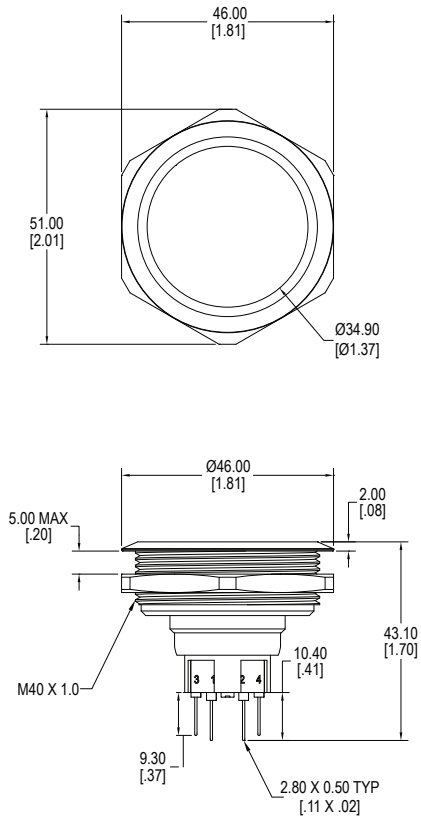
DH40

Illuminated Pushbutton

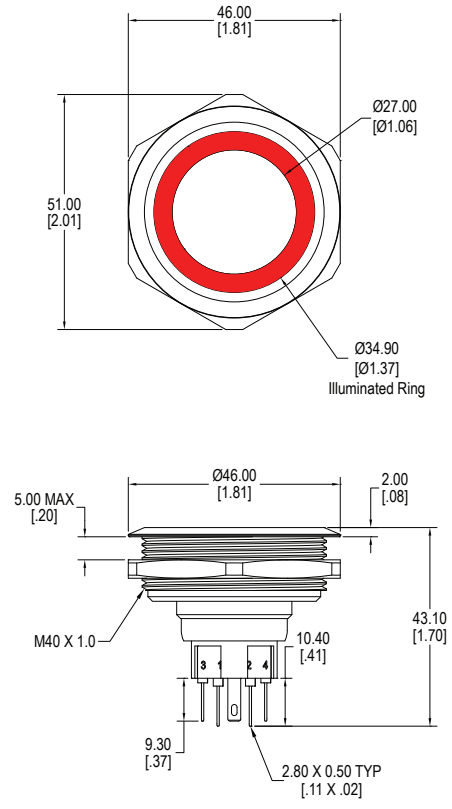
Ordering Information

1. Series	DH40	1	N	B	S	B	12
DH40							
2. Number of Poles	1 = SPST NO + SPST NC 2 = DPST NO + DPST NC						
3. Bezel Style	Blank = Standard Bezel						
4. Latching Option	N = Momentary L = Latching						
5. Actuator Style	A = Flush actuator, non-illuminated B = Flush actuator, ring illuminated						
6. Actuator Finish	B = Black anodized aluminum G = Green anodized aluminum R = Red anodized aluminum S = Brushed stainless steel U = Blue anodized aluminum Y = Yellow anodized aluminum						
7. LED Color	Z = No LED R = Red Y = Yellow G = Green B = Blue W = White O = Orange RO = Red / Orange dual LED RY = Red / Yellow dual LED RG = Red / Green dual LED RB = Red / Blue dual LED OY = Orange / Yellow dual LED OG = Orange / Green dual LED OB = Orange / Blue dual LED YG = Yellow / Green dual LED YB = Yellow / Blue dual LED GB = Green / Blue dual LED						
8. LED Voltage	Z = No LED N = No internal resistor in series with the LED 6 = 6V 12 = 12V 24 = 24V 110 = 110V 220 = 220V						
9. Terminal Option	Blank = .100" Quick Connect, standard						

Dimensions

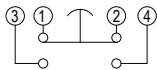


A - Flush, Non-Illuminated

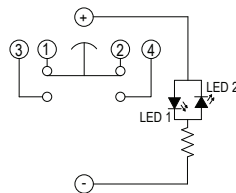


B - Flush, Ring Illuminated

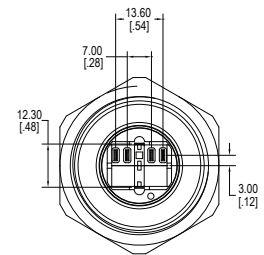
Schematics



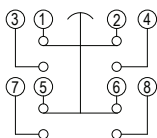
Single Pole no LED



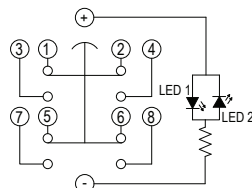
Single Pole with LED



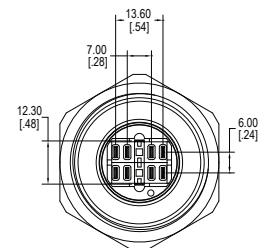
Single Pole Bottom View



Double Pole no LED



Double Pole with LED

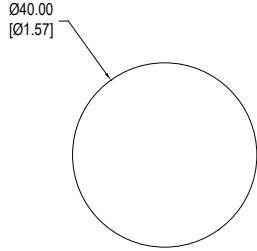


Double Pole Bottom View

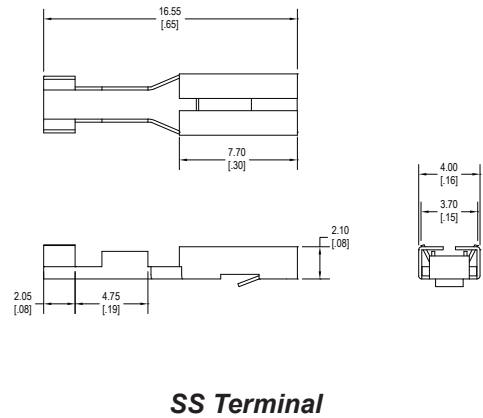
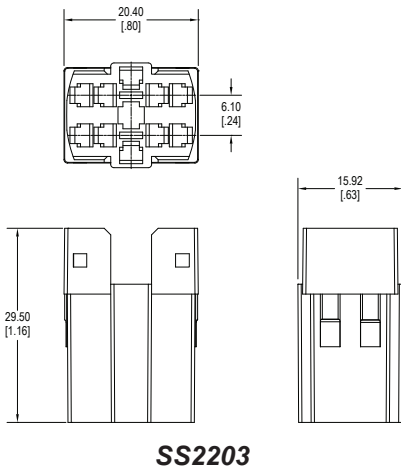
DH40

Illuminated Pushbutton

Cutout



Optional Terminal Block



LED Characteristics

LED Ratings		Color						Units
		R	Y	G	B	O	W	
Reverse Voltage	V_R	5	5	5	5	5	5	V
Forward Current (peak)	I_{FS}	120	120	160	160	120	160	mA
Reverse Current $V_R = 5V$	I_R	10	10	10	10	10	10	μA
Power Dissipation	P_T	80	80	120	120	80	120	mW
Forward Voltage (typ) $I_F = 20mA$	V_F	2.1	2.1	3.3	3.3	2.0	3.0	V
Luminous Intensity, $I_F = 20mA$	LI	120	120	170	100	120	700	mcd