

## Specifications

Electrical Ratings	Evaluated to UL 61058-1	1/2 hp @ 125VAC/250VAC; T120 10.1A @ 277VAC resistive; T120 10.1A @ 125VAC inductive; T120	Contact Resistance	≤ 20mΩ initial
	Evaluated to UL 1054	16A @ 125VAC/250VAC resistive; T120 6A @ 125VAC/250VAC general purpose; T120 5A @ 125VAC inductive; T120	Actuation Force	500 ± 100gF
Electrical Life	100,000 cycles average		Actuation Travel	3.2 ± .25mm
			Dielectric Strength	2,000Vrms min @ sea level contact to contact 2,000Vrms min @ sea level to LED
			Insulation Resistance	≥ 1,000MΩ min @ 500VDC
			Sealing Degree	IP65
			Operating Temperature	-40°C to 85°C
			Storage Temperature	-40°C to 85°C

## Materials

Actuator	Stainless Steel, Anodized Aluminum
LED Lens	Polycarbonate (PC)
Threaded Housing	Stainless Steel, Anodized Aluminum
Terminal Support	Polybutylene Terephthalate (PBT)
Snap Action Switch Base / Cover	Polybutylene Terephthalate (PBT), UL94-V0
Snap Action Switch Pin Plunger	Polybutylene Terephthalate (PBT), UL94-V0
Snap Action Switch Contacts	Silver Alloy
Snap Action Switch Terminals	Silver plated Copper Alloy
Snap Action Switch Support Frame	POM
Hardware	One Hex Nut & one "O" Ring supplied

Combining the LED illumination and metal body of the DH Series switch with the UL recognized switching capability of the VM3 Series snap-action switch.

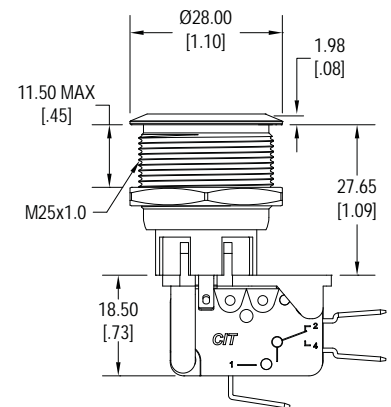
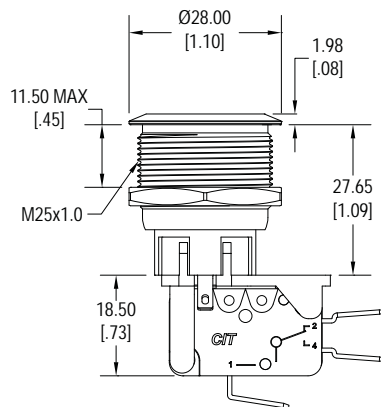
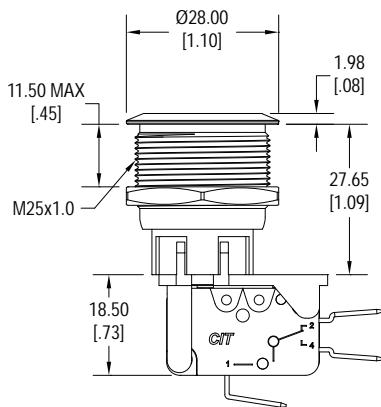
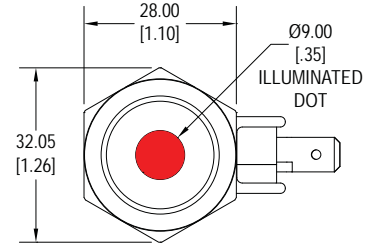
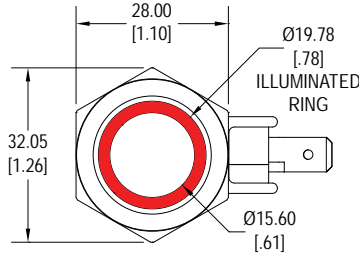
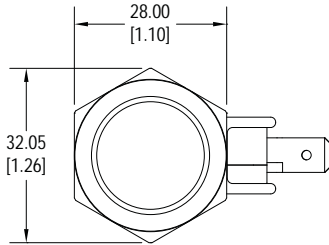
# DHU

## UL Approved Illuminated Pushbutton

### Ordering Information

1. Series	DHU25	1		N	B	S	R	G	12	B
DHU25 DHU28 DHU30										
2. Number of Poles 1 = SPDT										
3. Bezel Style Blank = Standard Bezel H = Straight Bezel										
4. Latching Option N = Momentary L = Latching										
5. Actuator Style: A = Flush actuator, non-illuminated B = Flush actuator, ring illuminated C = Flush actuator, dot illuminated G = Flush actuator, Int'l standby symbol illuminated <small>only available with DHU25</small> MR = Mushroom actuator, red anodized aluminum <small>only available with DHU25 momentary</small>										
6. Switch Finish S = Brushed Stainless Steel B = Black Anodized Aluminum G = Green Anodized Aluminum R = Red Anodized Aluminum U = Blue Anodized Aluminum Y = Yellow Anodized Aluminum										
7. First LED Color Z = No LED R = Red Y = Yellow G = Green B = Blue W = White O = Orange										
8. Second LED Color Z = No LED R = Red Y = Yellow G = Green B = Blue W = White O = Orange										
9. LED Voltage Z = No LED      24 = 24V 6 = 6V            110 = 110V 12 = 12V        220 = 220V N = No internal resistor in series with the LED										
10. Terminal Option A = .187" Quick Connect Switch Terminals and .110" Quick Connect LED Terminals B = .250" Quick Connect Switch Terminals and .110" Quick Connect LED Terminals										

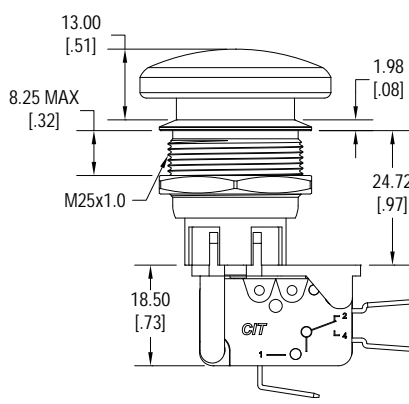
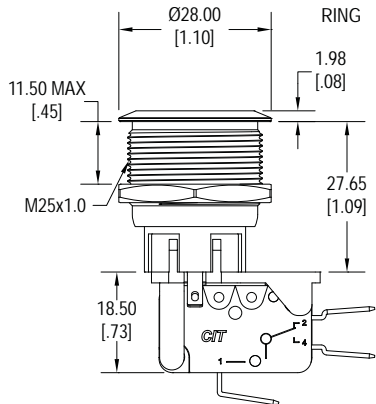
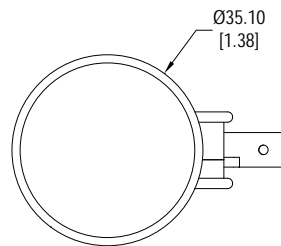
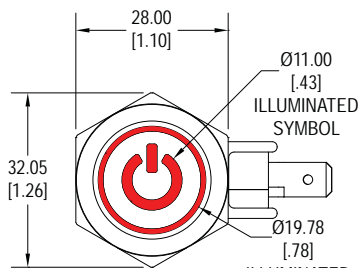
**Dimensions - 25mm, Momentary**



**A - Flush, Non-Illuminated**

**B - Flush, Ring Illuminated**

**C - Flush, Dot Illuminated**



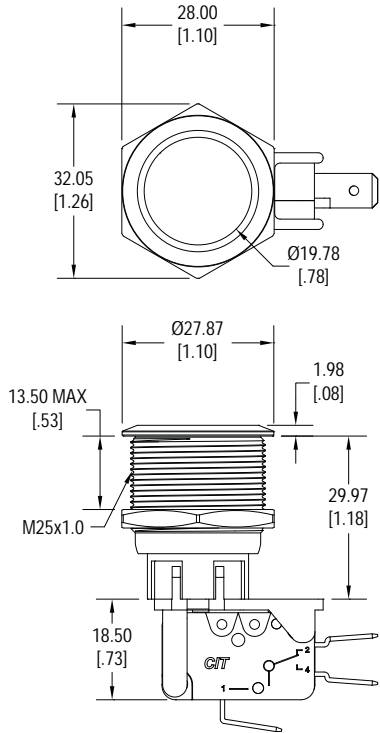
**G - Flush, In'tl Standby Symbol**

**MR - Mushroom Actuator**

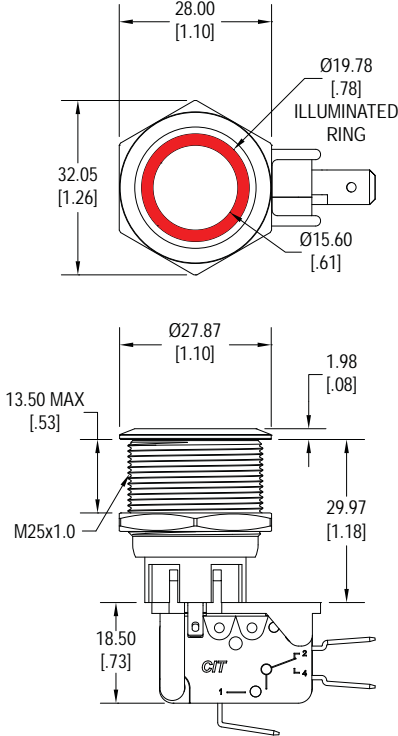
# DHU

## UL Approved Illuminated Pushbutton

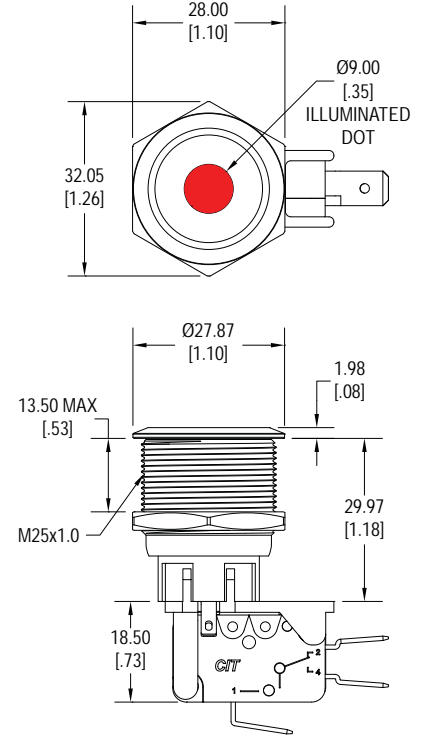
### Dimensions - 25mm, Latching



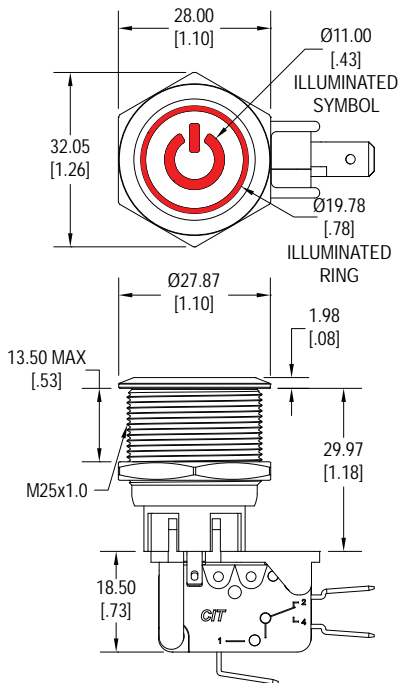
**A - Flush, Non-Illuminated**



**B - Flush, Ring Illuminated**

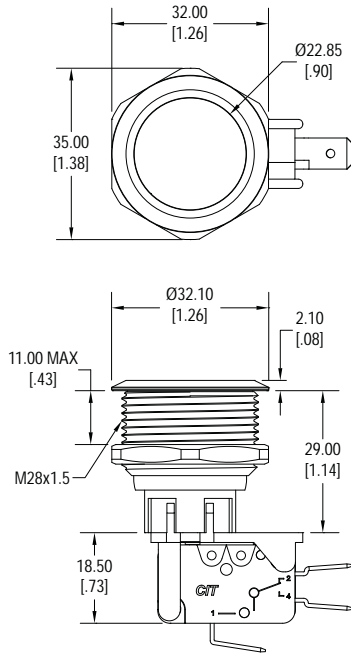


**C - Flush, Dot Illuminated**

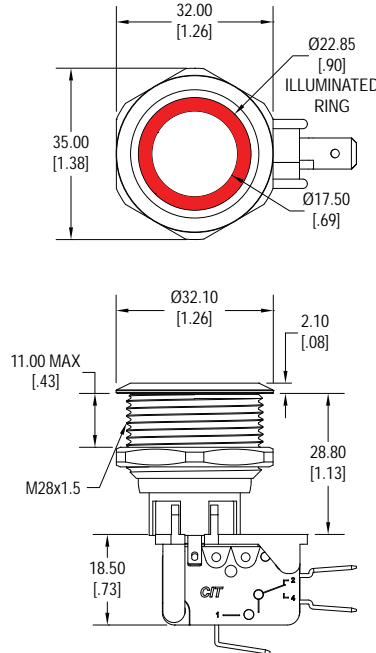


**G - Flush, In'tl Standby Symbol**

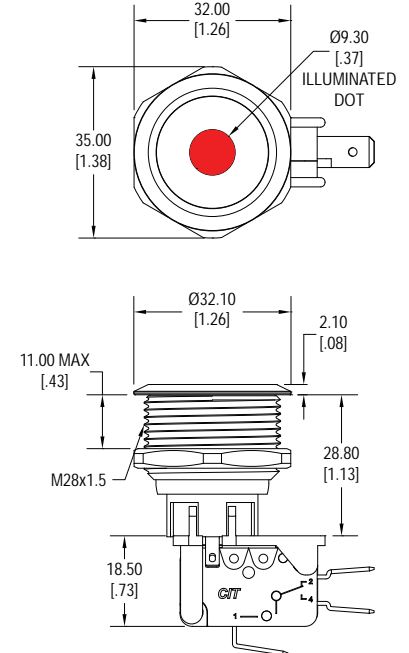
**Dimensions - 28mm, Momentary**



**A - Flush, Non-Illuminated**

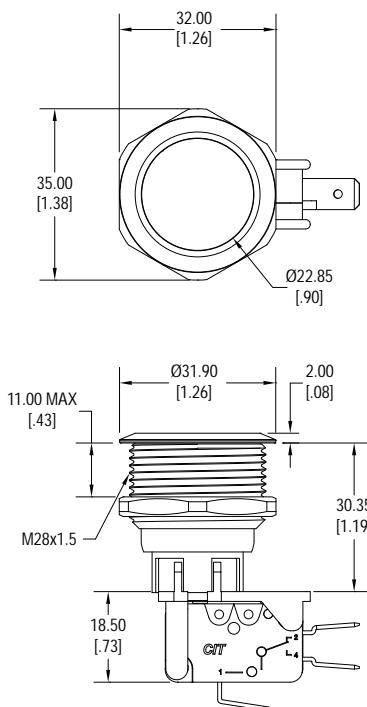


**B - Flush, Ring Illuminated**

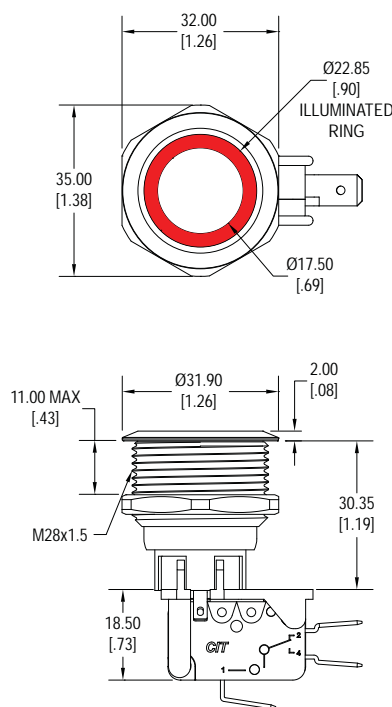


**C - Flush, Dot Illuminated**

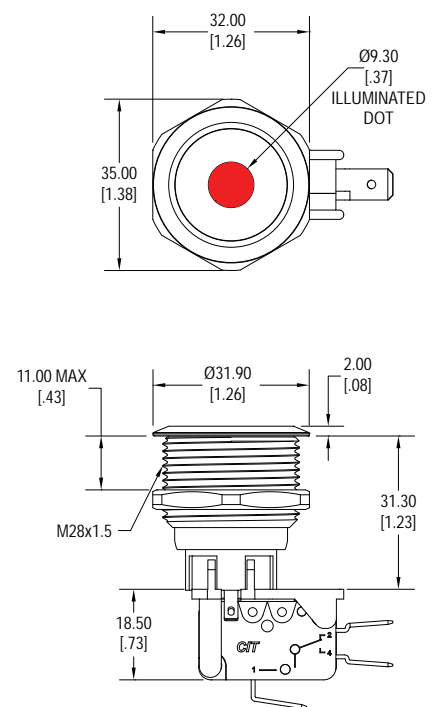
**Dimensions - 28mm, Latching**



**A - Flush, Non-Illuminated**



**B - Flush, Ring Illuminated**

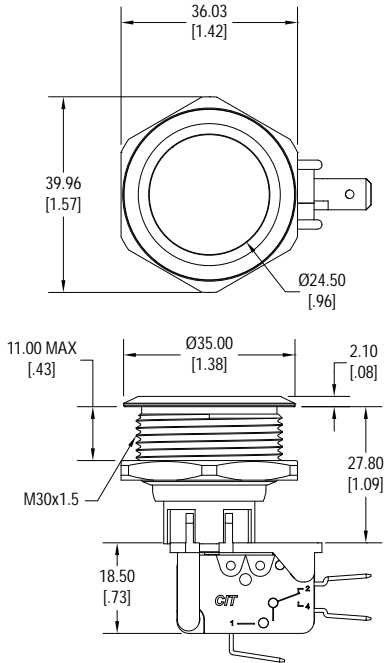


**C - Flush, Dot Illuminated**

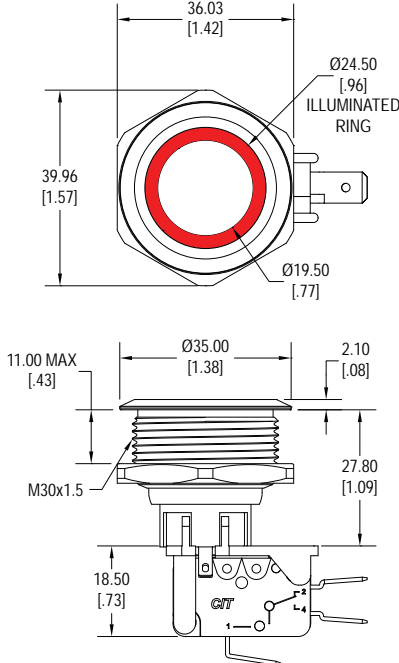
# DHU

UL Approved Illuminated Pushbutton

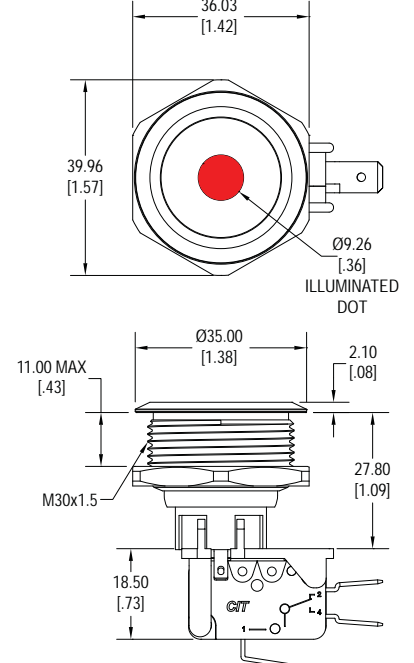
## Dimensions - 30mm, Momentary



**A - Flush, Non-Illuminated**

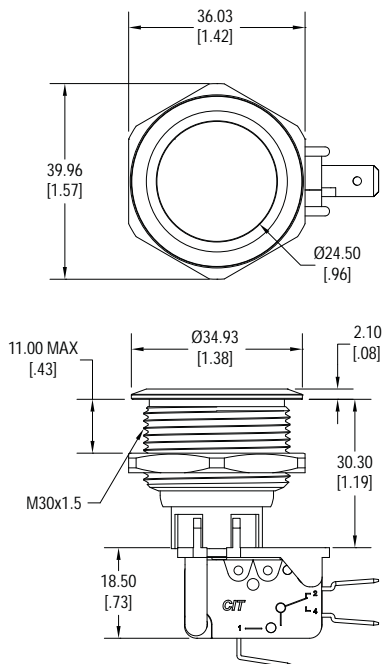


**B - Flush, Ring Illuminated**

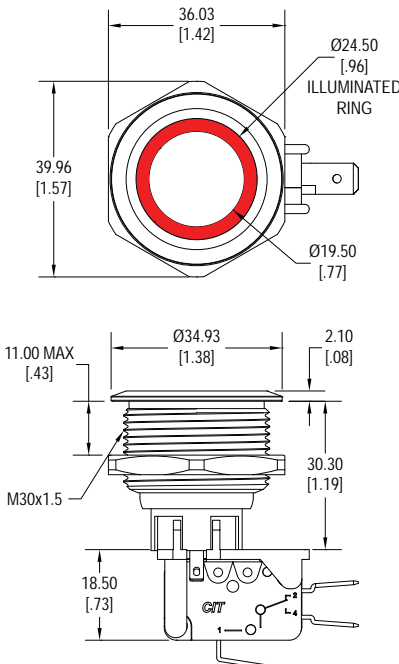


**C - Flush, Dot Illuminated**

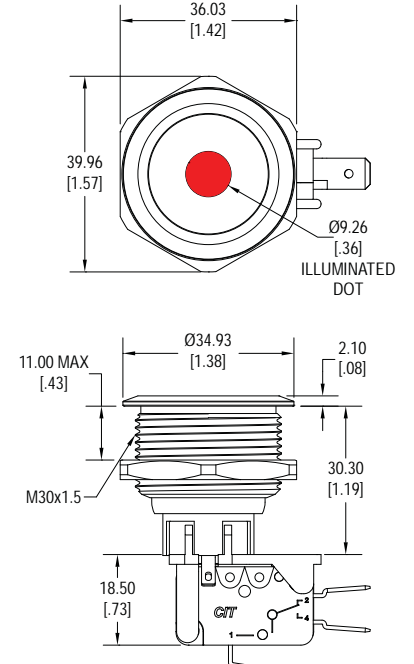
## Dimensions - 30mm, Latching



**A - Flush, Non-Illuminated**



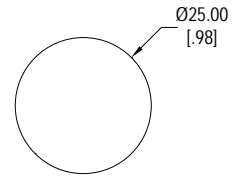
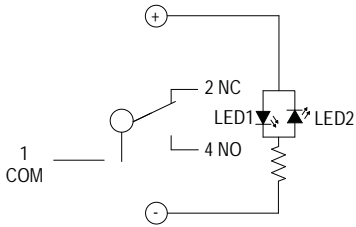
**B - Flush, Ring Illuminated**



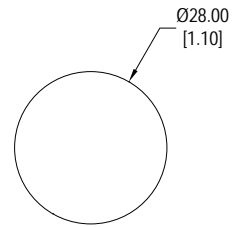
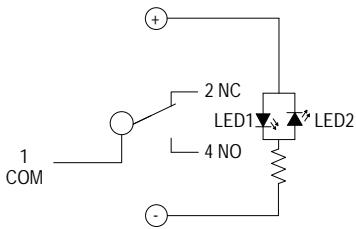
**C - Flush, Dot Illuminated**

## Schematic & Panel Cut-Out

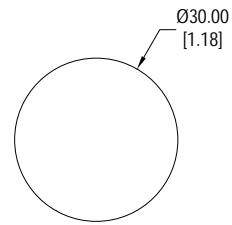
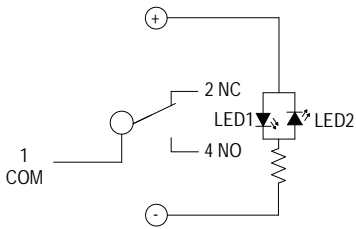
### 25mm



### 28mm



### 30mm

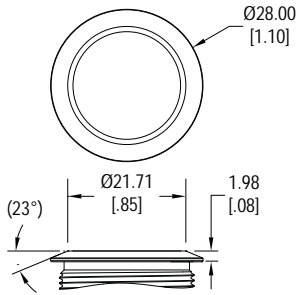


# DHU

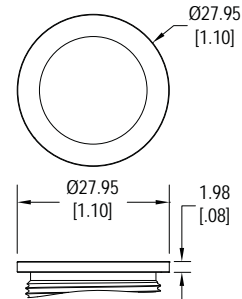
## UL Approved Illuminated Pushbutton

### Bezel Detail

#### 25mm

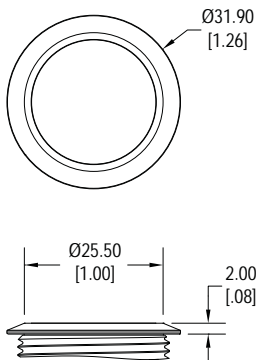


**Standard**

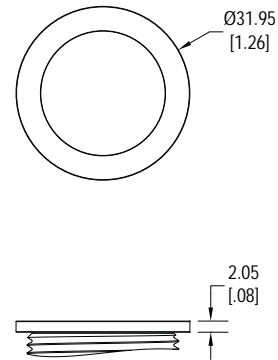


**Straight**

#### 28mm

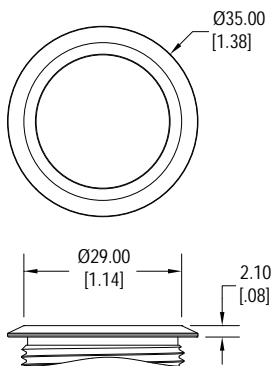


**Standard**

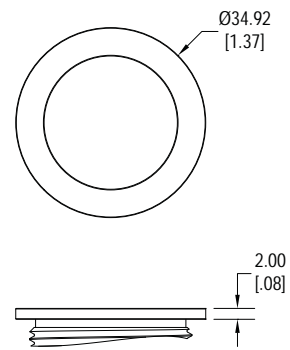


**Straight**

#### 30mm



**Standard**

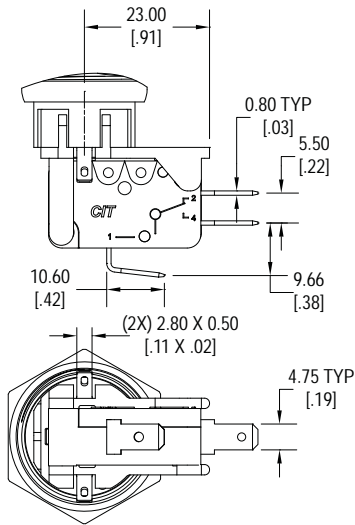


**Straight**



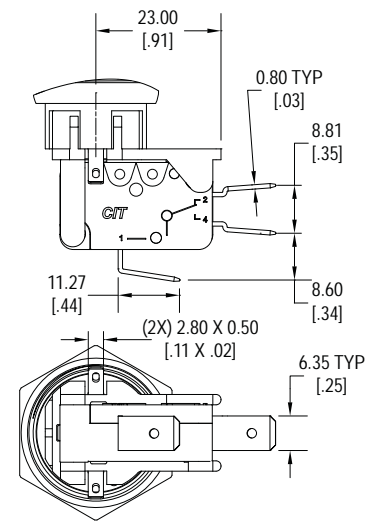
**Terminal Detail**

**25mm**



**A = .187"**

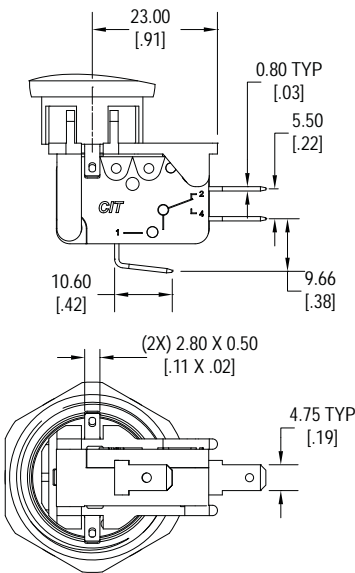
utilizing part number VM3CQF1802L00



**B = .250"**

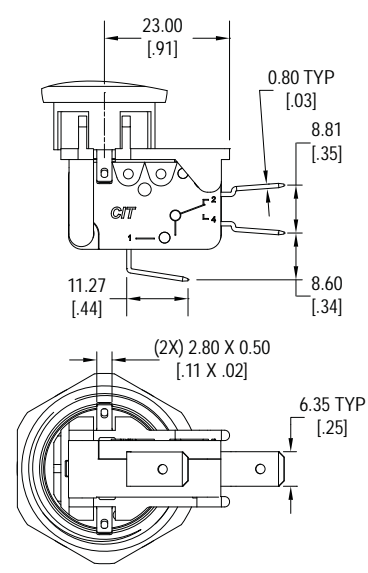
utilizing part number VM3CQF1801L00

**28mm**



**A = .187"**

utilizing part number VM3CQF1802L00



**B = .250"**

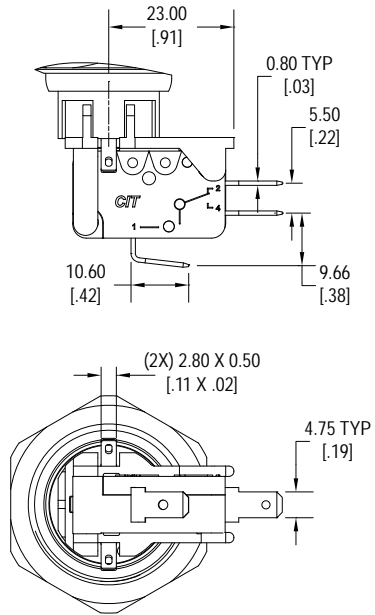
utilizing part number VM3CQF1801L00

# DHU

UL Approved Illuminated Pushbutton

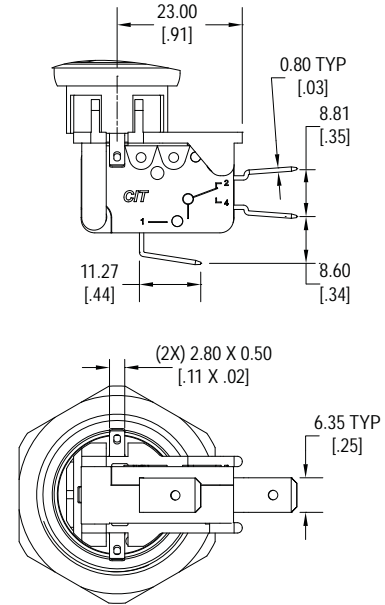
## Terminal Detail - continued

30mm



**A = .187"**

utilizing part number VM3CQF1802L00



**B = .250"**

utilizing part number VM3CQF1801L00

## LED Characteristics

LED Ratings		Color						Units
		R	Y	G	B	O	W	
Reverse Voltage	$V_R$	5	5	5	5	5	5	V
Forward Current (peak)	$I_{FS}$	120	120	160	160	120	160	mA
Reverse Current $V_R = 5V$	$I_R$	10	10	10	10	10	10	$\mu A$
Power Dissipation	$P_T$	80	80	120	120	80	120	mW
Forward Voltage (typ) $I_F = 20mA$	$V_F$	2.1	2.1	3.3	3.3	2.0	3.0	V
Luminous Intensity, $I_F = 20mA$	LI	120	120	170	100	120	700	mcd



## Features

- ◆ Fits standard size electrical boxes
- ◆ Multiple size options
- ◆ 2 finish options
- ◆ Laser etching available

## Ordering Information

1. Series	WP	B	22	A	X
WP					
2. Size:					
A = 40mm x 115mm					
B = 70mm x 115mm					
C = 86mm x 86mm					
3. Hole Size:					
25 = 25mm diameter					
28 = 28mm diameter					
30 = 30mm diameter					
4. Material					
A = Brushed aluminum					
Y = Brushed aluminum, yellow anodized					
5. Laser Etching Symbol:					
Contact Factory with artwork					

## Dimensions

