

Specifications

Electrical Ratings	200mA @ 30VDC	Dielectric Strength	1000Vrms min
Electrical Life	20,000 cycles typical	Insulation Resistance	>100MΩ min
Contact Resistance	<50mΩ initial	Operating Temperature	-40°C to 85°C
Actuation Force	300 ± 100gF	Storage Temperature	-40°C to 85°C
Actuation Travel	2 ± .25mm		

Materials

Actuator	Poly Carbonate (PC)
Housing	6/6 Nylon
Cover	6/6 Nylon
Contact	Phosphor Bronze, Silver Plated
Terminals	Brass, Silver Plated

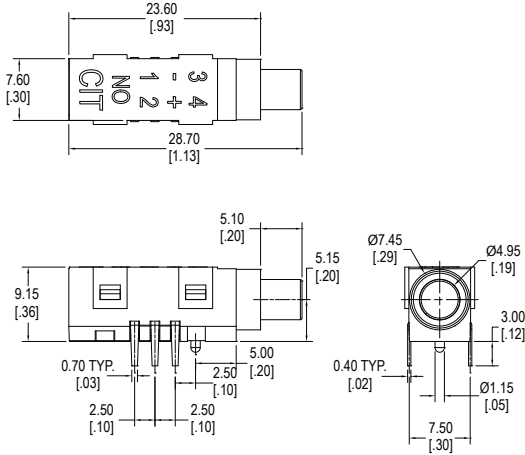
Ordering Information

1. Series	DS	A	2	B	R
DS					
2. Switch Function	1 = SPST N.O. 2 = DPST N.O.				
3. Cap Option	N = No cap C = With cap				
4. LED Color	Blank = No LED R = Red G = Green Y = Yellow B = Blue				
5. Second LED Color **For a bi-color LED option	Blank = No second LED color R = Red G = Green Y = Yellow B = Blue				

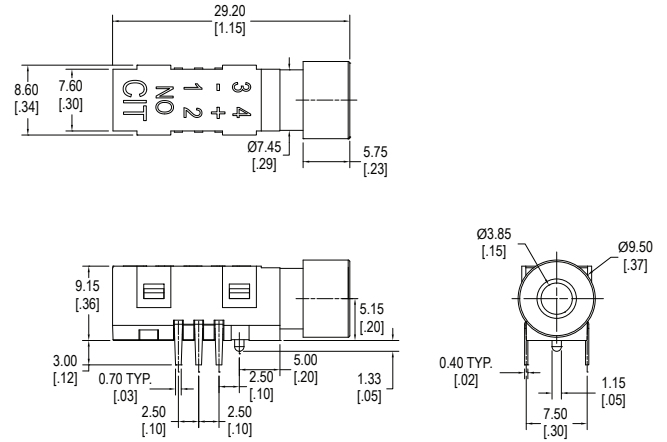
Illuminated Miniature Pushbutton

Dimensions

Without Cap

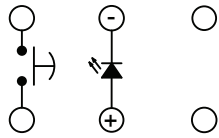


With Cap

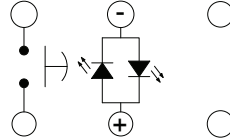


Schematics & PC Layout

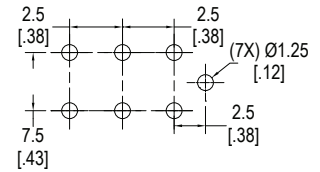
DS1 with LED



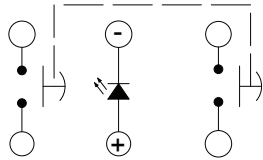
DS1 with Bi-Color LED



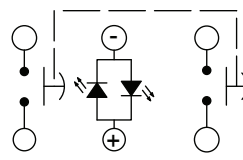
Bottom View



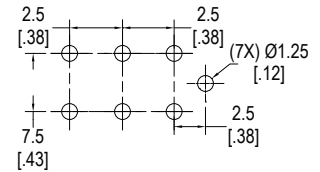
DS2 with LED



DS2 with Bi-Color LED



Bottom View



LED Characteristics

LED Ratings		Color				Units
		R	G	Y	B	
Reverse Voltage	V_R	5	5	5	5	V
Forward Current (avg)	I_F	15	30	20	30	mA
Forward Current (peak)	I_{FS}	160	120	80	100	mA
Reverse Current $V_R = 5V$	I_R	10	10	10	10	μA
Power Dissipation	P_T	40	100	60	120	mW
Operating & Storage Temperature	T_A	-40 ~ +85				$^{\circ}C$
Forward Voltage (typ) $I_F = 20mA$	V_F	1.7	1.7	1.7	3.5	V
Forward Voltage (max) $I_F = 20mA$	V_F	2.6	2.6	2.6	4.0	V
Wavelength at Peak Emission, $I_F = 20mA$	λ_P	697	565	585	470	nm
Spectral Line Half-Width, $I_F = 20mA$	$\Delta\lambda$	90	30	35	25	nm
Luminous Intensity, $I_F = 20mA$	LI	4.2	20	8.0	450	mcd
Viewing Angle	Θ	50	50	50	30	deg