



**Specifications**

Electrical Ratings	2A @ 48VDC
Electrical Life	200,000 cycles typical
Contact Resistance	≤ 50mΩ initial
Mechanical Resistance	500,000 cycles typical
Sealing Degree	IP67

Actuation Force	500 ± 100gF
Actuation Travel	1.7 ± .25mm
Dielectric Strength	2000Vrms min between contacts
Insulation Resistance	≥ 100MΩ min @ 250VDC
Operating Temperature	-20°C to 70°C
Storage Temperature	-20°C to 70°C

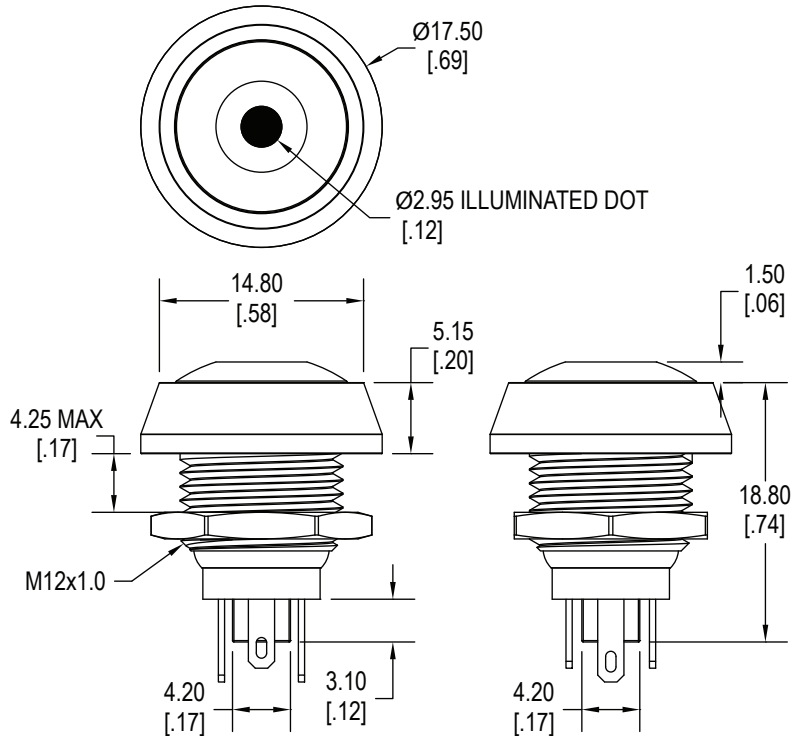
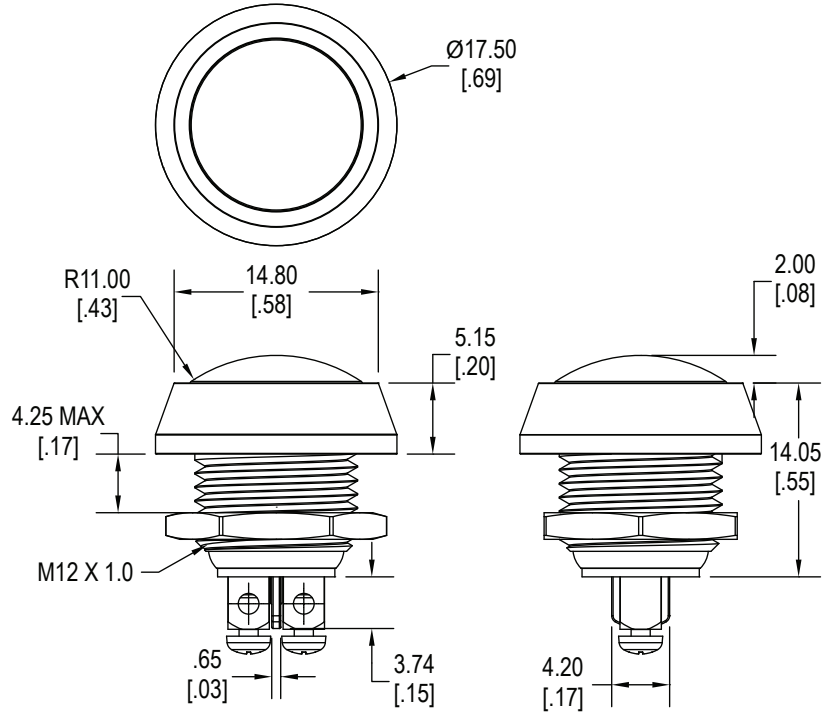
**Materials**

Actuator	Polybutylene Terephthalate (PBT) or Stainless Steel
Base	Polybutylene Terephthalate (PBT)
Housing	Aluminum or Stainless Steel
Contacts	Silver Alloy
Terminals	Nickel Plated Brass
Hardware - Nut	Nickel Plated Brass

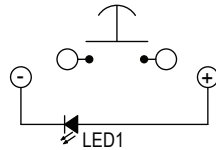
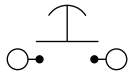
**Ordering Information**

1. Series	EH	12	N	M	SS	B	BO
EH							
2. Switch Body Diameter 12 = 12mm							
3. Switch Function N = Momentary							
4. Actuator Style: M = Round L = Round with LED							
5. Switch Finish SS = Brushed Stainless Steel B = Black Anodized Aluminum							
6. Cap Color Options Blank = Stainless Steel 2 = Black 3 = Red 4 = Yellow 5 = Green 7 = Blue							
7. Terminal Options Z = Screw Terminals *not available with illuminated option B = Solder Lugs							
8. LED Color							
X = No LED							
R = Red							
Y = Yellow							
G = Green							
B = Blue							
W = White							
O = Orange							
	RO = Red / Orange dual LED						
	RY = Red / Yellow dual LED						
	RG = Red / Green dual LED						
	RB = Red / Blue dual LED						
	OY = Orange / Yellow dual LED						
	OG = Orange / Green dual LED						
	OB = Orange / Blue dual LED						
	YG = Yellow / Green dual LED						
	YB = Yellow / Blue dual LED						
	GB = Green / Blue dual LED						

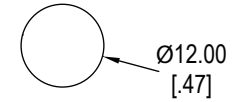
**Dimensions**



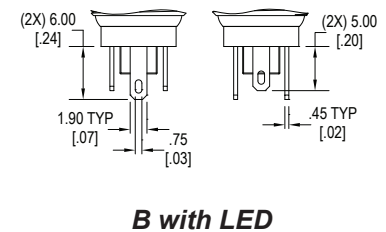
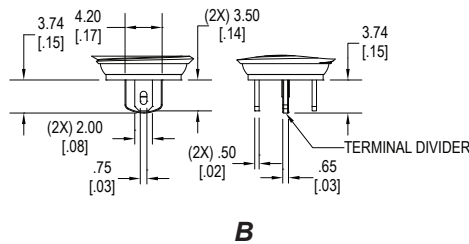
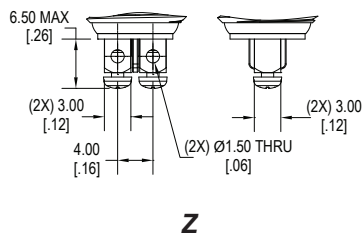
**Schematics**



**Panel Cut-Out**



**Terminal Options**



**LED Characteristics**

LED Ratings		Color							Units
		R	Y	G	B	O	W		
Reverse Voltage	$V_R$	5	5	5	5	5	5	5	V
Forward Current (avg)	$I_F$	25	25	30	30	25	30	30	mA
Forward Current (peak)	$I_{FS}$	120	120	160	160	120	160	160	mA
Reverse Current $V_R = 5V$	$I_R$	10	10	10	10	10	10	10	$\mu A$
Power Dissipation	$P_T$	80	80	120	120	80	120	120	mW
Operating & Storage Temperature	$T_A$	-40 ~ +85							C°
Forward Voltage (typ) $I_F = 20mA$	$V_F$	2.1	2.1	3.3	3.3	2.0	3.0	3.0	V
Forward Voltage (max) $I_F = 20mA$	$V_F$	2.4	2.5	3.6	3.6	2.3	3.6	3.6	V
Wavelength at Peak Emmission $I_F = 20mA$	$\lambda_P$	635	592	516	463	606	n/a	n/a	nm
Spectral Line Half-Width $I_F = 20mA$	$\Delta\lambda$	14	12	28	20	12	n/a	n/a	nm
Luminous Intensity, $I_F = 20mA$	LI	120	120	170	100	120	700	700	mcd
Viewing Angle	$\Theta$	145	145	145	145	145	145	145	deg