



RoHS Compliant

Illuminated Tactile

### Specifications

Electrical Ratings	50mA @ 12VDC	Dielectric Strength	1000Vrms min
Electrical Life	100,000 cycles typical	Insulation Resistance	>100MΩ min
Contact Resistance	<50mΩ initial	Operating Temperature	-40°C to 85°C
Actuation Force	250 ± 50gF	Storage Temperature	-40°C to 85°C
Actuation Travel	0.3 ± .1mm		

### Materials

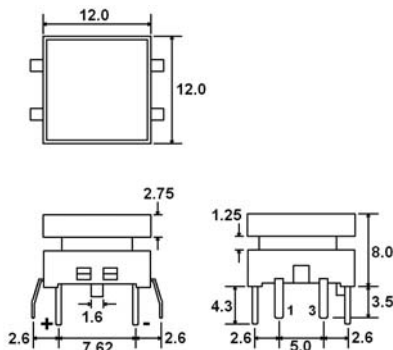
Cover	Poly Carbonate (PC)
Housing	Nylon
Lens	Poly Carbonate (PC)
Contacts	Copper Alloy, Gold over Nickel Plated
Terminals	Copper Alloy, Gold over Nickel Plated

### Ordering Information

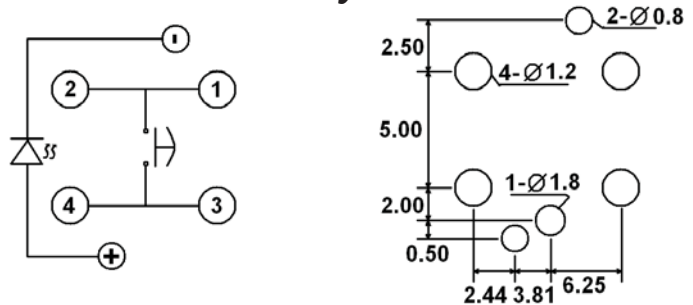
1. Series	JS	B	C
2. LED Color			
R = Red			
G = Green			
Y = Yellow			
B = Blue			
3. Clear Cap Style			
Blank = No Cap			
A, B, C, D, E, F or G			

LED Ratings		Color					Units
		R	G	Y	B	W	
Reverse Voltage	V <sub>R</sub>	5	5	5	5	5	V
Forward Current (avg / peak)	I <sub>F</sub>	30 / 125	30 / 125	30 / 125	30 / 125	30 / 125	mA
Reverse Current V <sub>R</sub> = 5V	I <sub>R</sub>	10	10	10	10	10	μA
Power Dissipation	P <sub>T</sub>	69	75	75	120	120	mW
Forward Voltage (typ / max) I <sub>F</sub> = 20mA	V <sub>F</sub>	1.8 / 2.6	2.2 / 2.6	2.1 / 2.6	3.5 / 4.0	3.2 / 3.8	V
Wavelength at Peak Emission, I <sub>F</sub> = 20mA	λ <sub>P</sub>	660	572	595	455	n/a	nm
Spectral Line Half-Width, I <sub>F</sub> = 20mA	Δλ	20	20	20	20	n/a	nm
Luminous Intensity, I <sub>F</sub> = 20mA	LI	20	20	80	40	200	mcd
Viewing Angle	Θ	150	150	150	150	150	deg

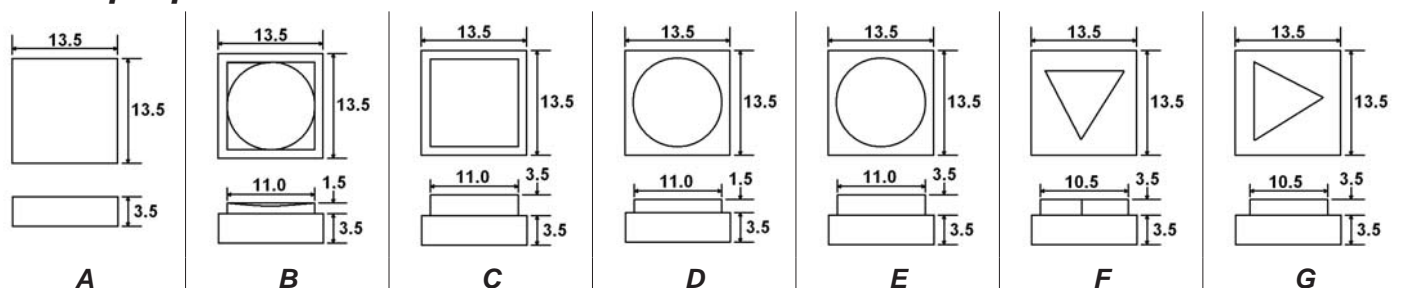
### Dimensions



### Schematic & PC Layout



### Clear Cap Options



Specifications and availability subject to change without notice.

Dimensions shown in mm. Dimensions are shown for reference purposes only.