

## Specifications

Electrical Ratings	100mA @ 30VDC
Electrical Life	100,000 cycles typical
Contact Resistance	<50mΩ initial
Actuation Force	260 ± 30gF
Actuator Travel	1.0mm to lock 1.7mm to full travel

Dielectric Strength	1000Vrms min
Insulation Resistance	>100MΩ min
Operating Temperature	-40°C to 85°C
Storage Temperature	-40°C to 85°C

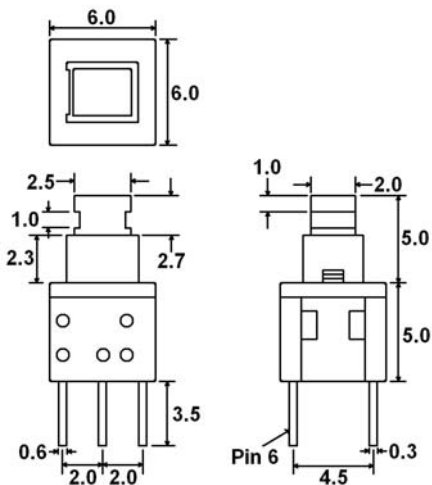
## Materials

Actuator	Acetal
Housing	PBT
Cover	PBT
Latching Pin	Stainless Steel
Spring	Stainless Steel
Contacts	Phosphor Bronze, Silver Plated
Terminals	Brass, Silver Plated

## Ordering Information

1. Series	LP2284	F260	N
LP2284			
2. Actuation Force	F260 = F260gF		
3. Latching	N = Non-latching * Contact Factory for Latching Option		

## Dimensions



## Schematic & PC Layout

