

Illuminated Horizontal Pushbutton

Specifications

Electrical Ratings	300mA @ 30VDC	Dielectric Strength	1000Vrms min
Electrical Life	20,000 cycles typical	Insulation Resistance	>100MΩ min
Contact Resistance	<50mΩ initial	Operating Temperature	-40°C to 85°C
Actuation Force	300 ± 100gF	Storage Temperature	-40°C to 85°C
Actuation Travel	3.3 ± .25mm		

Materials

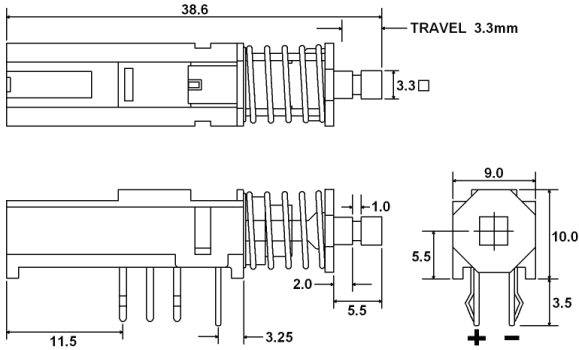
Actuator	Poly Carbonate (PC)
Housing	6/6 Nylon
Base	Polybutylene Terephthalate (PBT)
Spring	Stainless Steel
Contacts	Phosphor Bronze, Silver Plated
Terminals	Brass, Silver Plated

Ordering Information

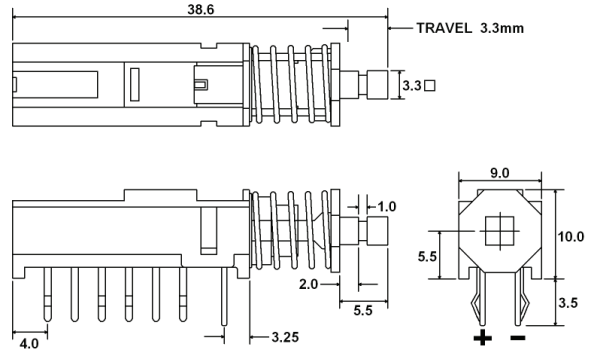
1. Series	LPH	4	L	RG	C170	MS04
LPH						
2. Switch Function						
2 = DPDT						
4 = 4PDT						
3. Latching Option						
N = Non-Latching (Momentary)						
L = Latching						
4. LED Color **For a bi-color LED, choose two color designators						
R = Red Example : RG						
G = Green						
Y = Yellow						
B = Blue						
5. Cap Option						
C150						
C170						
6. Cap Finishes	Laser Etching Option **Only available with MS cap finish					
Blank = No cap finish	01, 02, 03, 04, 05					
MS = Misty Silver	06, 07, 08, 09, 10					

Dimensions

2 Pole

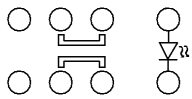


4 Pole

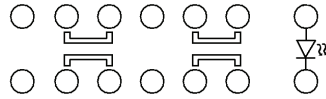


Schematic Bottom Views

2 Pole

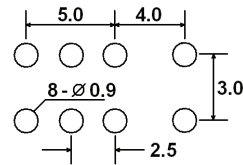


4 Pole

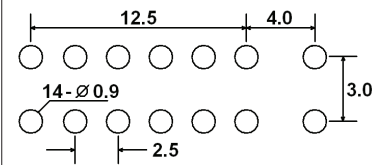


PC Layout Bottom Views

2 Pole

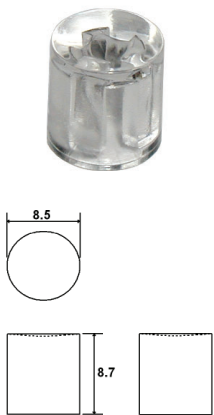


4 Pole

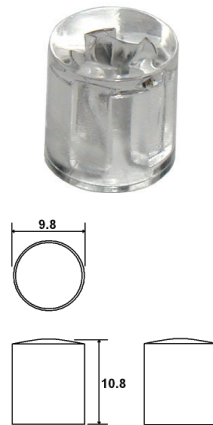


Cap Options

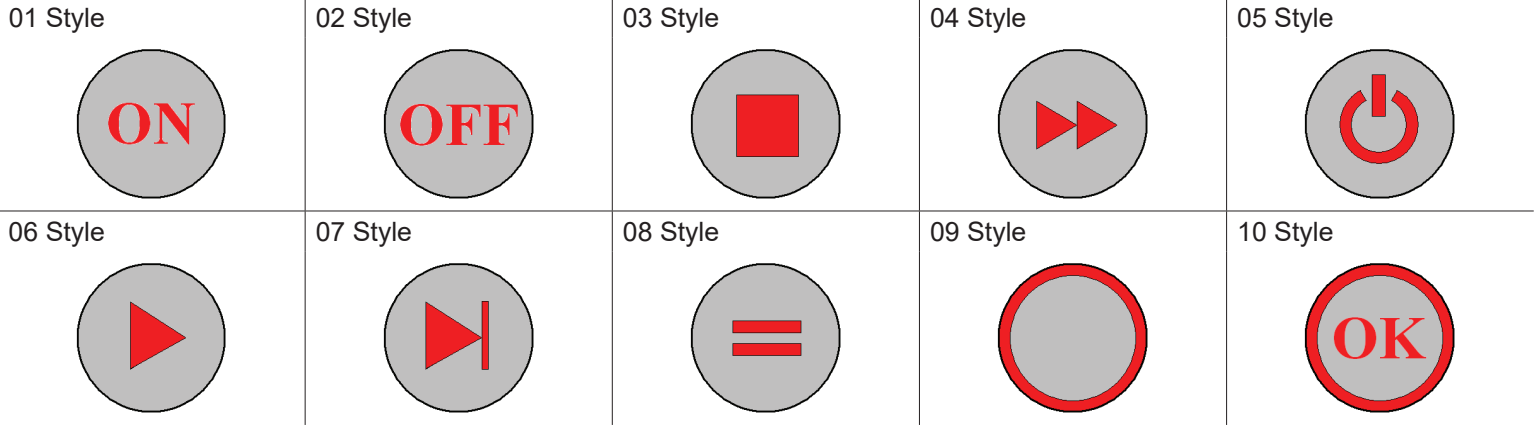
C150



C170



Laser Etching Styles



LED Characteristics

LED Ratings		Color					Units
		R	G	Y	B		
Reverse Voltage	V_R	5	5	5	5		V
Forward Current (avg)	I_F	15	30	20	30		mA
Forward Current (peak)	I_{FS}	60	120	80	100		mA
Reverse Current $V_R = 5V$	I_R	10	10	10	10		μA
Power Dissipation	P_T	40	100	60	120		mW
Operating & Storage Temperature	T_A	-40 ~ +85					$^{\circ}C$
Forward Voltage (typ) $I_F = 20mA$	V_F	1.7	1.7	1.7	3.5		V
Forward Voltage (max) $I_F = 20mA$	V_F	2.6	2.6	2.6	4.0		V
Wavelength at Peak Emmission, $I_F = 20mA$	λ_P	697	565	585	470		nm
Spectral Line Half-Width, $I_F = 20mA$	$\Delta\lambda$	90	30	35	25		nm
Luminous Intensity, $I_F = 20mA$	LI	7.6	26	26	450		mcd
Viewing Angle	Θ	44	44	44	30		deg