

Specifications

Electrical Ratings	200mA @ 30VDC	Insulation Resistance	>100MΩ min
Electrical Life	10,000 cycles typical	Actuation Force	200 ± 100gF
Contact Resistance	<50mΩ initial	Actuation Travel	3.0mm total
Dielectric Strength	1000Vrms min	Operating Temperature	-40°C to 85°C
		Storage Temperature	-40°C to 85°C

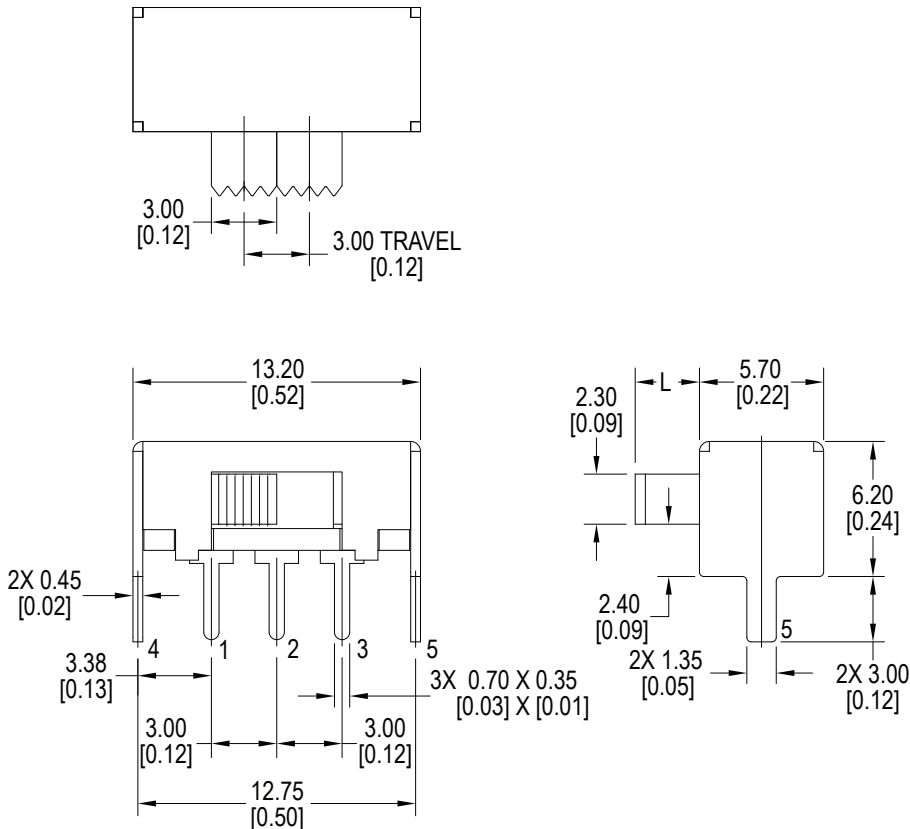
Materials

Actuator	6/6 Nylon
Housing	Steel or Nylon
Base	Phenolic or PBT
Contacts	Phosphor Bronze, Silver Plated
Terminals	Brass, Silver Plated

Ordering Information

1. Series	MS1206	L6
	MS1206	
2. Actuator Length		
	L3 = 3mm	
	L6 = 6mm	

Dimensions



Schematic & PC Layout

