



## Specifications

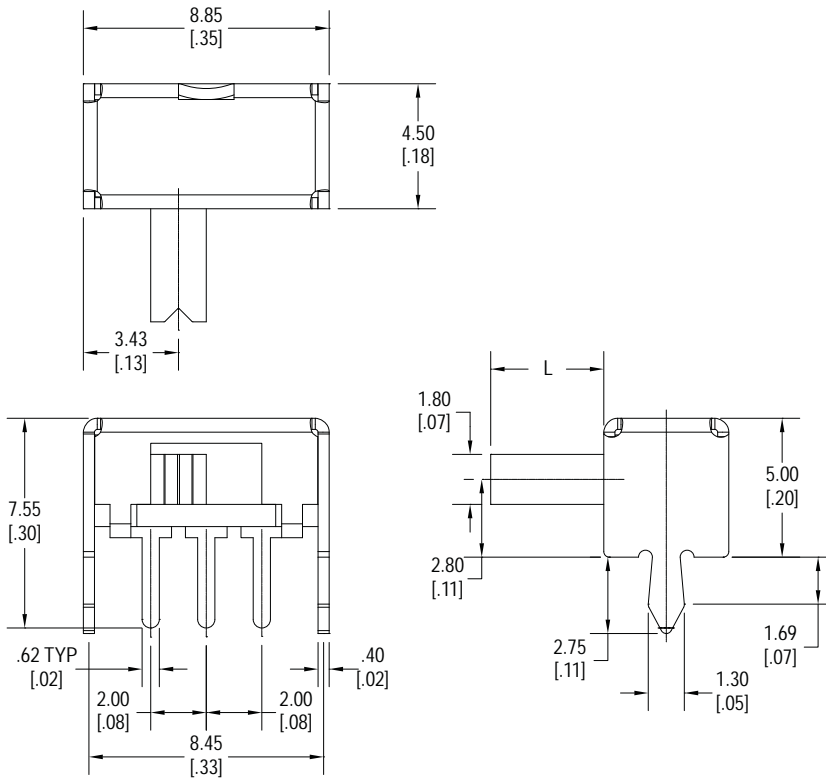
|                    |                       |
|--------------------|-----------------------|
| Electrical Ratings | 200mA @ 30VDC         |
| Electrical Life    | 10,000 cycles typical |
| Contact Resistance | <50mΩ initial         |
| Actuation Force    | 200 ± 100gF           |
| Actuation Travel   | 2.0mm total           |

|                       |               |
|-----------------------|---------------|
| Dielectric Strength   | 1000Vrms min  |
| Insulation Resistance | >100MΩ min    |
| Operating Temperature | -40°C to 85°C |
| Storage Temperature   | -40°C to 85°C |

## Materials

|           |                                |
|-----------|--------------------------------|
| Actuator  | 6/6 Nylon                      |
| Housing   | Steel                          |
| Base      | Phenolic                       |
| Contacts  | Phosphor Bronze, Silver Plated |
| Terminals | Brass, Silver Plated           |

## Dimensions



|                    |        |    |
|--------------------|--------|----|
| 1. Series          | MS1247 | L4 |
| MS1247             |        |    |
| 2. Actuator Length |        |    |
| L2 = 2mm           |        |    |
| L4 = 4mm           |        |    |
| L6 = 6mm           |        |    |

## Schematic & PC Layout

