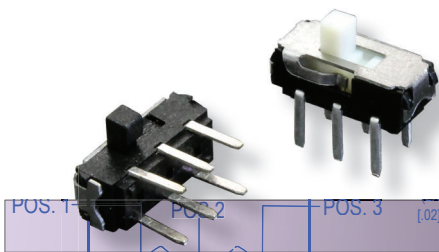


RoHS Compliant



Specifications

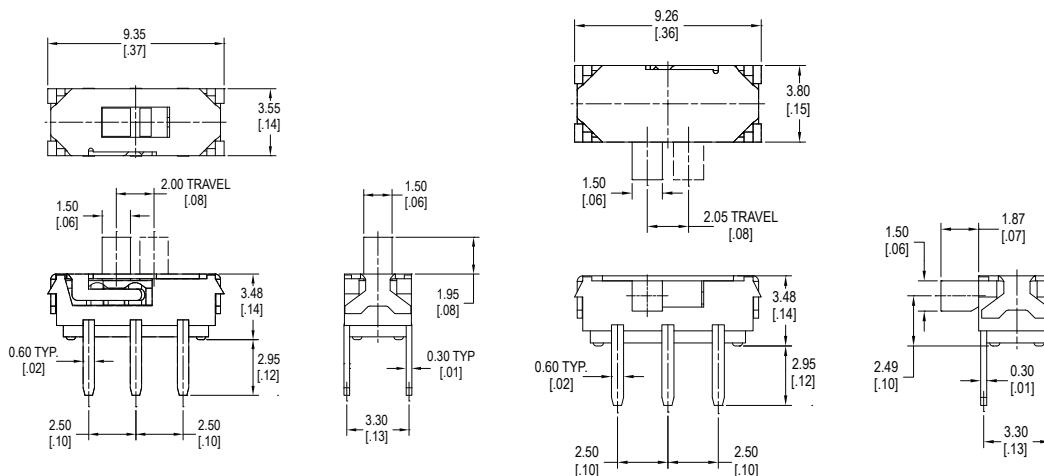
Electrical Ratings	200mA @ 30VDC
Electrical Life	10,000 cycles typical
Contact Resistance	<50mΩ initial
Actuation Force	200 ± 100gF
Actuation Travel	2.0mm total

Dielectric Strength	1000Vrms min
Insulation Resistance	>100MΩ min
Operating Temperature	-40°C to 85°C
Storage Temperature	-40°C to 85°C

Materials

Actuator	PA6T Nylon
Housing	PA6T Nylon
Cover	Stainless Steel
Contacts	Copper Alloy, Silver Plated
Terminals	Copper Alloy, Silver Plated

Dimensions



MS1271

MS1271R

1. Series	MS1271	2
	MS1271 MS1271R	
2. Actuator Color	1 = White 2 = Black	

Schematic & PC Layout

