

Specifications

Electrical Ratings	200mA @ 30VDC	Actuation Force	250 ± 100gF
Electrical Life	10,000 cycles typical	Actuation Travel	3.95mm total
Contact Resistance	<50mΩ initial	Operating Temperature	-40°C to 85°C
Dielectric Strength	1000Vrms min	Storage Temperature	-40°C to 85°C
Insulation Resistance	>100MΩ min		

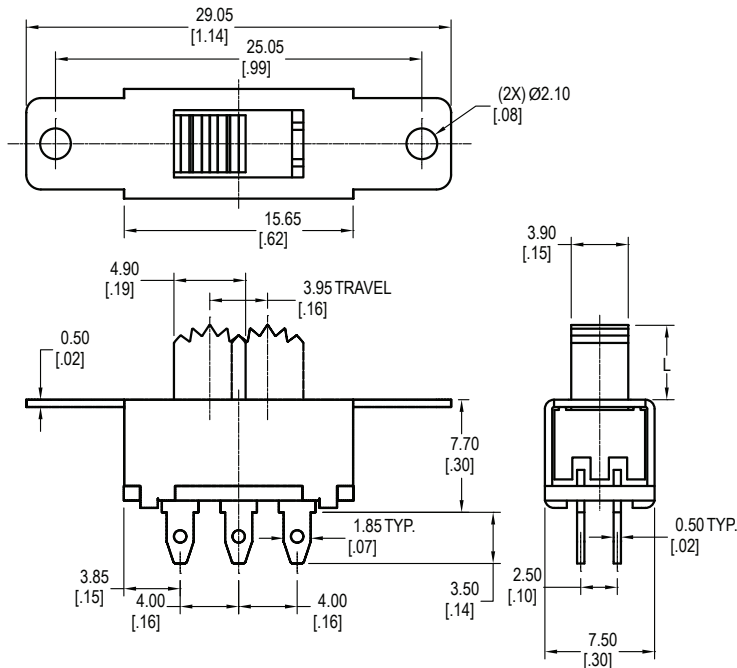
Materials

Actuator	6/6 Nylon
Housing	Steel
Base	Phenolic
Contacts	Phosphor Bronze, Silver Plated
Terminals	Brass, Silver Plated

Ordering Information

1. Series	MS2202	L5	A
	MS2202		
2. Actuator Length	L5 = 5mm L7.5 = 7.5mm L9 = 9mm		
3. Mounting Holes	A = Threaded - M2 x P0.4 B = Non-Threaded - 2.2 dia		

Dimensions



Schematic & PC Layout

