

Specifications

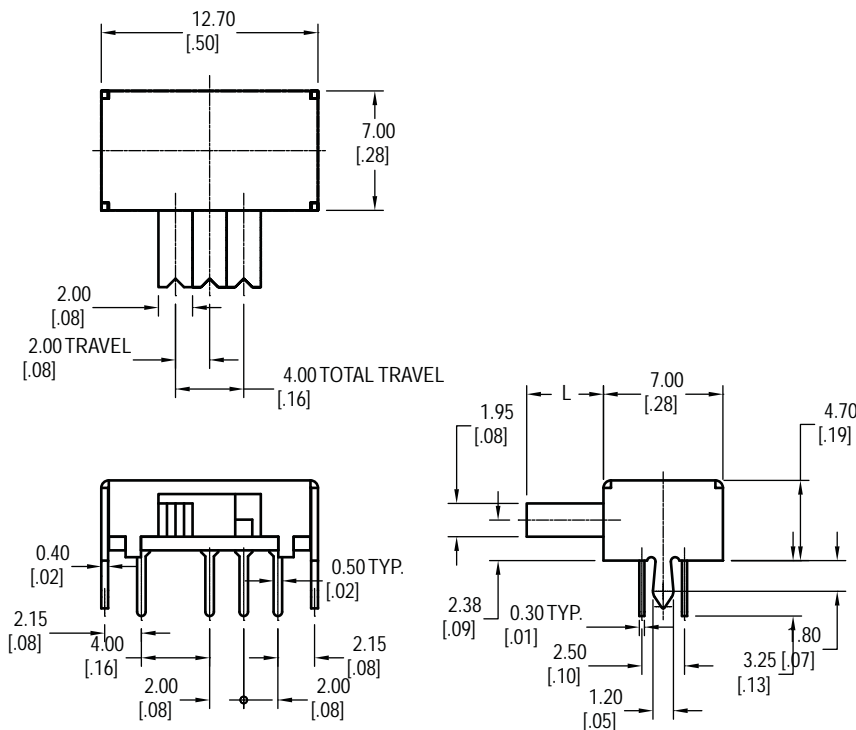
| | |
|--------------------|---------------------------------|
| Electrical Ratings | 300mA @ 50VDC |
| Electrical Life | 10,000 cycles typical |
| Contact Resistance | <50mΩ initial |
| Actuation Force | 250 ± 100gF |
| Actuation Travel | 2.0mm per position; 4.0mm total |

| | |
|-----------------------|---------------|
| Dielectric Strength | 1000Vrms min |
| Insulation Resistance | >100MΩ min |
| Operating Temperature | -40°C to 85°C |
| Storage Temperature | -40°C to 85°C |

Materials

| | |
|-----------|--------------------------------|
| Actuator | 6/6 Nylon |
| Housing | Steel |
| Base | Phenolic |
| Contacts | Phosphor Bronze, Silver Plated |
| Terminals | Brass, Silver Plated |

Dimensions



| | | |
|--------------------|--------|----|
| 1. Series | MS2310 | L6 |
| MS2310 | | |
| 2. Actuator Length | | |
| L4 = 4mm | | |
| L6 = 6mm | | |

Schematic & PC Layout

