



UL Approved Multi Function Rocker

Specifications

Switch Function	SPST, DPST
Electrical Ratings	UL61058-1 12A @ 125VAC, General Purpose, T105/55 12A @ 250VAC, General Purpose, T105/55 TV5 @ 125VAC

Electrical Life	10,000 cycles typical
Contact Resistance	≤ 50mΩ initial
Dielectric Strength	1500Vrms min
Insulation Resistance	≥ 100MΩ min
Operating Temperature	-40°C to +85°C
Storage Temperature	-40°C to +85°C
Sealing Degree	IP40

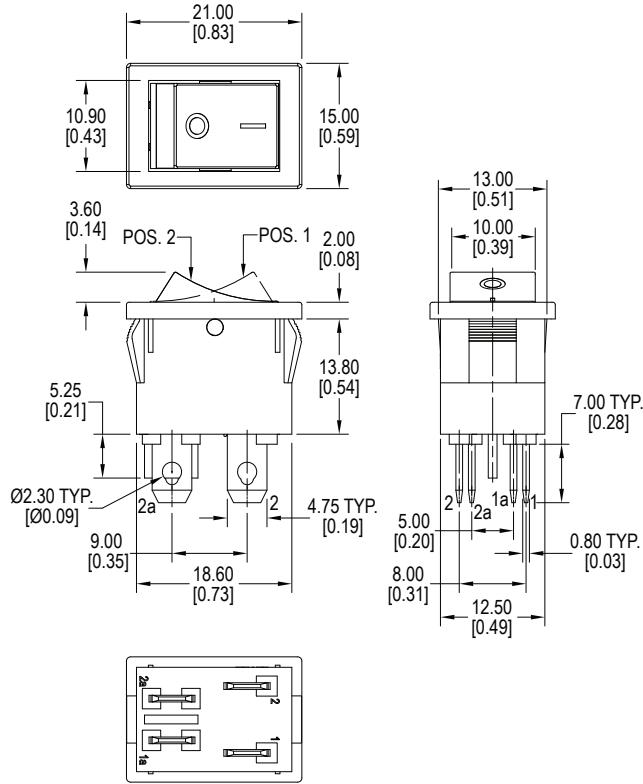
Materials

Housing	6/6 Nylon or Poly Carbonate
Actuator	6/6 Nylon
Contacts	Silver Alloy
Terminals	Brass, Silver Plated

Ordering Information

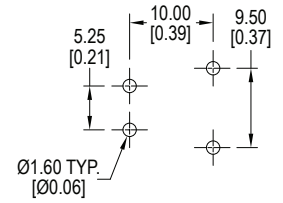
1. Series	RC	1	1	2	2	C	C	C	C
RC									
2. Number of Poles									
1 = SPST									
2 = DPST									
3. Switch Function									
1 = OFF - ON									
4. Housing Color									
1 = White	3 = Red								
2 = Black	9 = Gray								
5. Actuator Colors									
1 = White	1T = White Transparent **For use with Illuminated option only								
2 = Black	3T = Red Transparent **For use with Illuminated option only								
3 = Red	4T = Yellow Transparent **For use with Illuminated option only								
6 = Orange	5T = Green Transparent **For use with Illuminated option only								
7 = Blue	7T = Blue Transparent **For use with Illuminated option only								
9 = Gray									
6. Actuator Marking									
A C E									
B D F									
6. Actuator Marking Color									
Blank = No Marking									
B = Black									
W = White									
R = Red									
8. Terminal Options									
C = .187" Quick Connect/Solder Lug									
P = PC Pins									
R = Right Angle PC Pins									
L = Left Angle PC Pins									
9. Illumination Options									
Blank = Non-Illuminated									
A = 125VAC Neon Bulb	Y12 = Yellow LED 12V								B12 = Blue LED 12V
B = 250VAC Neon Bulb	Y24 = Yellow LED 24V								B24 = Blue LED 24V
R12 = Red LED 12V	G12 = Green LED 12V								W12 = White LED 12V
R24 = Red LED 24V	G24 = Green LED 24V								W24 = White LED 24V

Dimensions

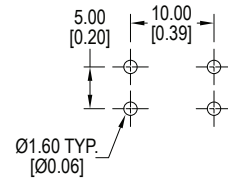


PC Layouts

P Terminals



R & L Terminals

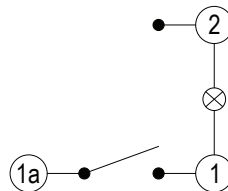


Schematics

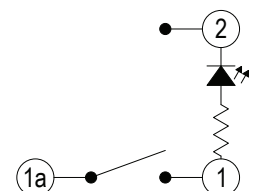
Single Pole Single Throw



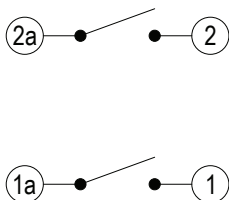
Single Pole Single Throw Neon Lamp



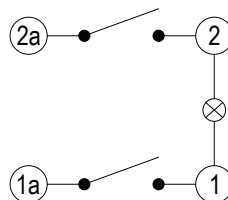
Single Pole Single Throw LED & Resistor



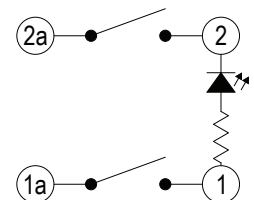
Double Pole Single Throw









Double Pole Single Throw Neon Lamp



Double Pole Single Throw LED & Resistor



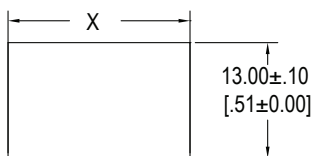
Actuator Marking Options

<p>A Style</p> 	<p>B Style</p> 	<p>C Style</p> 
<p>D Style</p> 	<p>E Style</p> 	<p>F Style</p> 

LED Characteristics

LED Ratings		Color						Units
		R	Y	G	B	W		
Reverse Voltage	V_R	5	5	5	5	5	V	
Forward Current (avg)	I_F	30	30	30	30	30	mA	
Reverse Current $V_R = 5V$	I_R	10	10	10	10	10	μA	
Power Dissipation	P_T	56	56	46	72	76	mW	
Operating & Storage Temperature	T_A	-40 ~ +85					$^{\circ}C$	
Forward Voltage (min) $I_F = 20mA$	V_F	1.7	1.7	1.8	2.8	2.8	V	
Forward Voltage (max) $I_F = 20mA$	V_F	2.4	2.4	2.4	3.4	3.4	V	
Wavelength (min) $I_F = 20mA$	λ_d	620	585	565	460	n/a	nm	
Wavelength (max) $I_F = 20mA$	λ_d	630	595	575	470	n/a	nm	
Luminous Intensity, $I_F = 20mA$	LI	50	150	30	140	500	mcd	
Viewing Angle	Θ	50	50	70	120	70	deg	

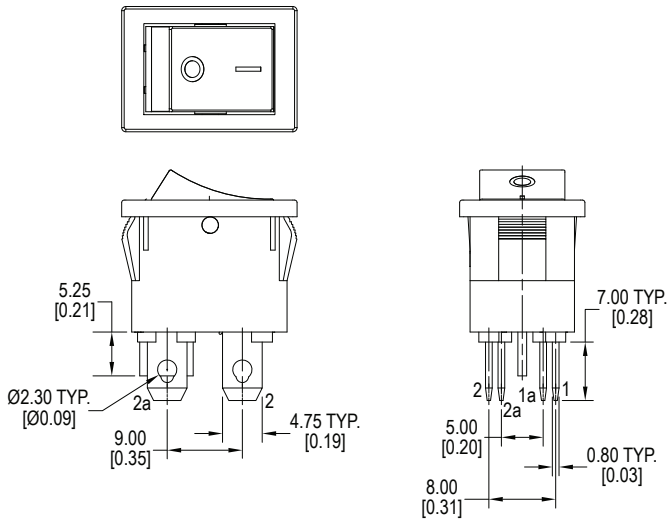
Panel Cut Out



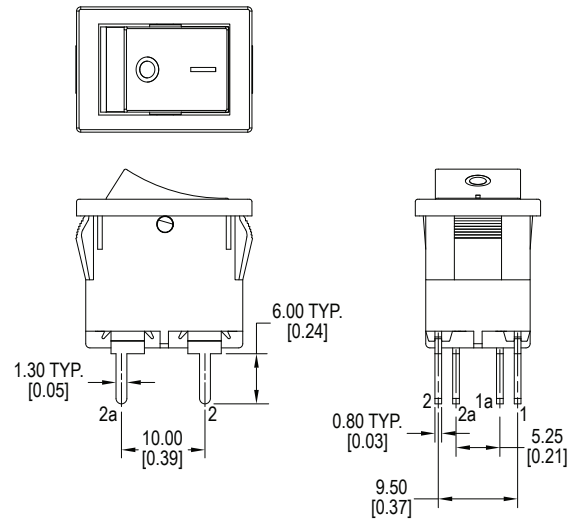
Panel Thickness	X
0.75 ~ 1.25	19.3 ± .1
1.25 ~ 2.00	19.5 ± .1
2.00 ~ 3.00	19.9 ± .1

Terminal Options

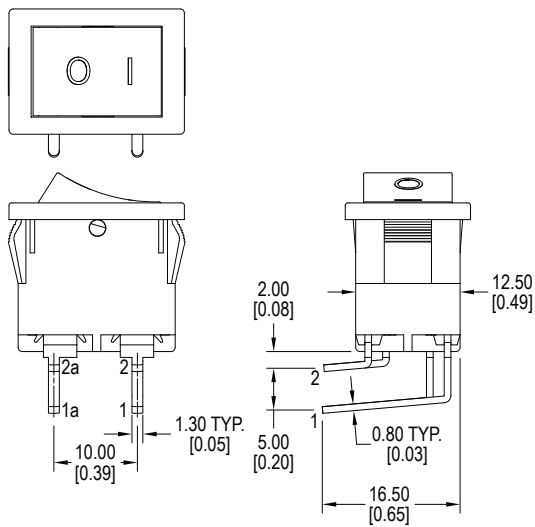
C



P



L



R

