

Specifications

Electrical Ratings	150mA @ 50VDC
Electrical Life	15,000 steps typical
Contact Resistance	<80mΩ initial
Rotational Torque	700gF maximum
Dielectric Strength	250Vrms min. @ sea level

Insulation Resistance	>100MΩ min
Operating Temperature	-40°C to 85°C
Storage Temperature	-40°C to 85°C
Sealing Degree	IP67

Materials

Actuator	Through-Hole: POM; Surface Mount: PA66 + SUS
Cover	Through-Hole: PA66; Surface Mount: LCP
Housing	Through-Hole: PA66; Surface Mount: LCP
Contacts	Copper Alloy, Gold over Nickel Plated
Terminals	Copper Alloy, Tin Plated

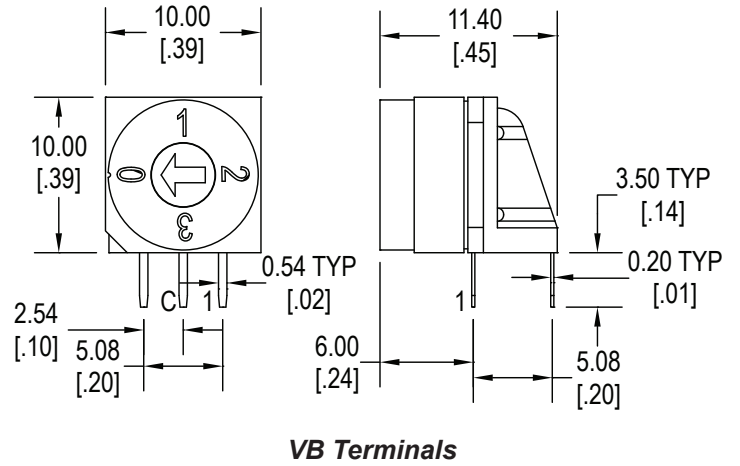
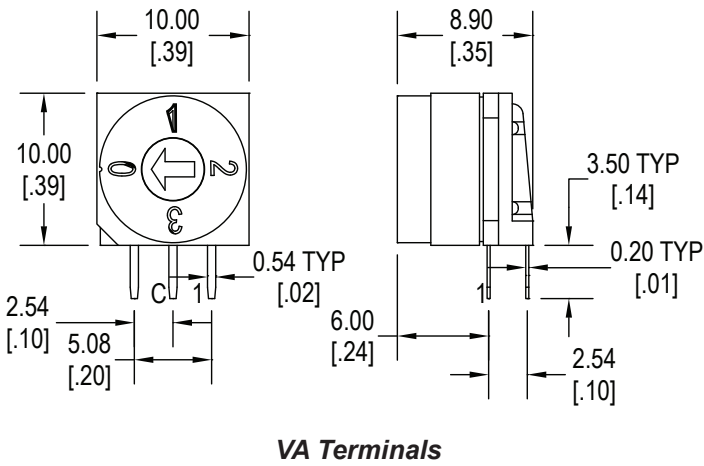
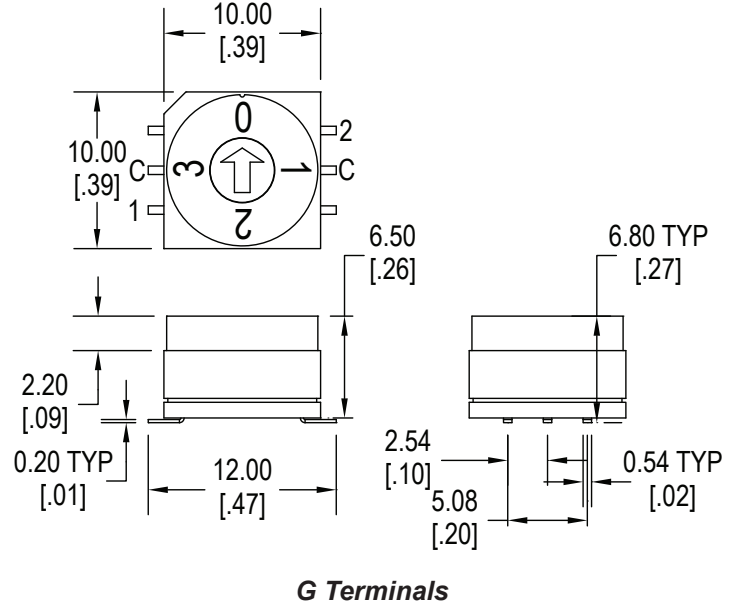
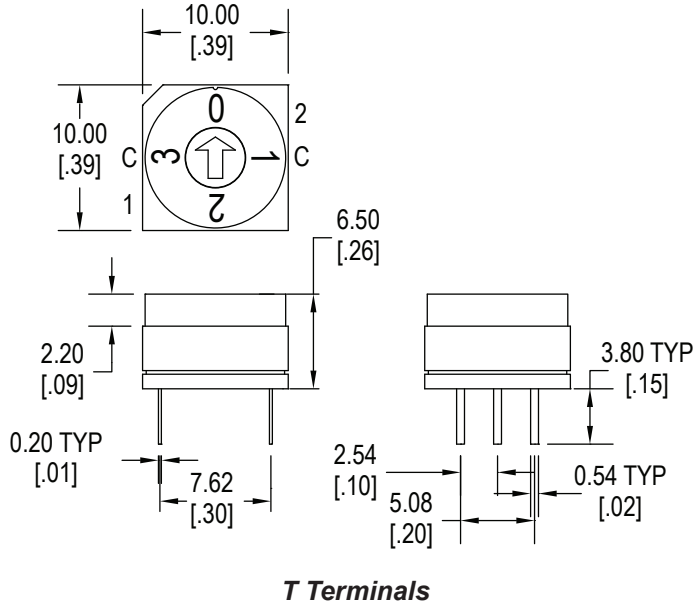
Ordering Information

1. Series	RD10	R	A	16	R	T	T
RD10							
2. Housing Shape							
R = Round							
A = Octagonal							
3. Actuator Style							
A = Arrow, flush							
B = Arrow, knurled, 7.3mm							
4. Number of Positions							
4 = 4 position							
6 = 6 position							
8 = 8 position							
10 = 10 position							
16 = 16 position							
5. Code Options							
R = Real Code							
C = Complementary Code							
6. Terminals							
T = Through-Hole PC pin							
G = Gull Wing, surface mount							
VA = Right Angle PC pin, 2.54mm spacing							
VB = Right Angle PC pin, 5.08mm spacing							
7. Packaging Options							
T = Tube							
R = Tape & Reel, for use with G terminals only							

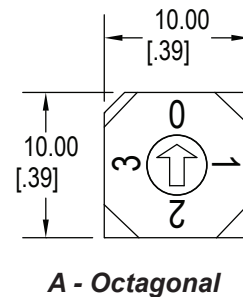
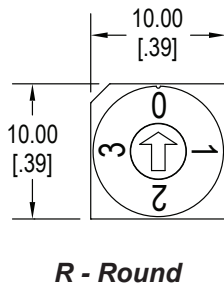
RD10

Process Sealed Coded Rotary DIP - 10mm

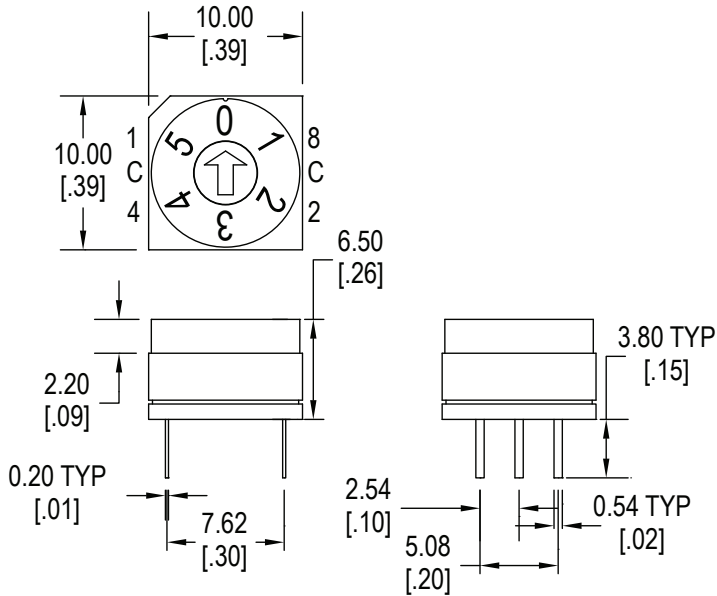
Dimensions - 4 Position



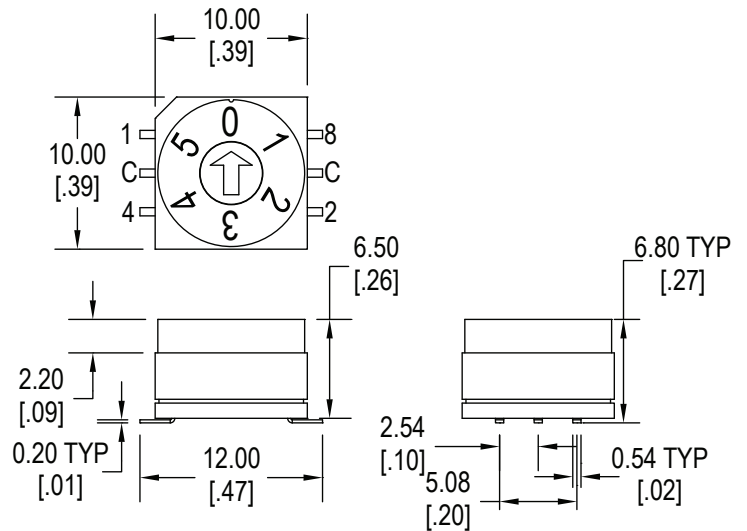
Housing Options



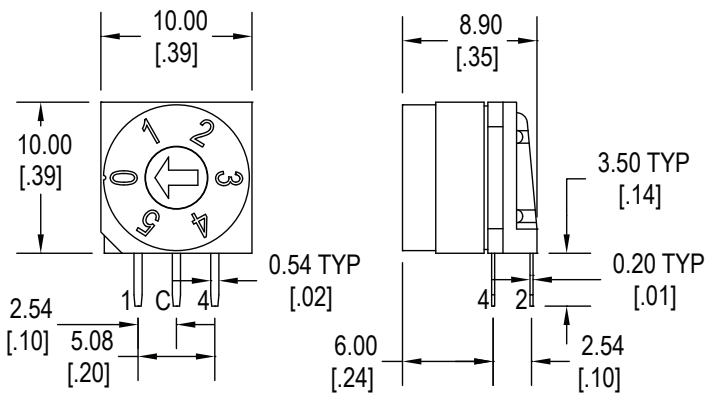
Dimensions - 6 Position



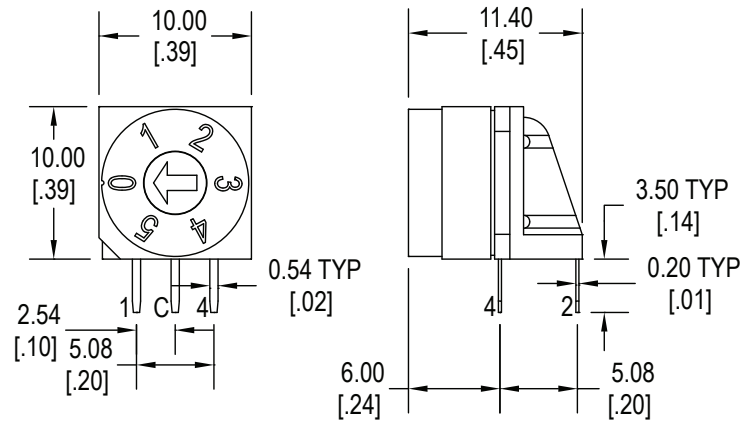
T Terminals



G Terminals

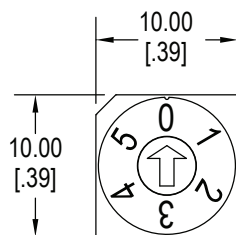


VA Terminals

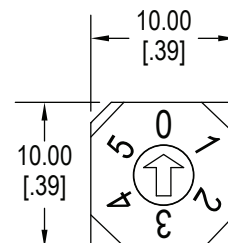


VB Terminals

Housing Options



R - Round

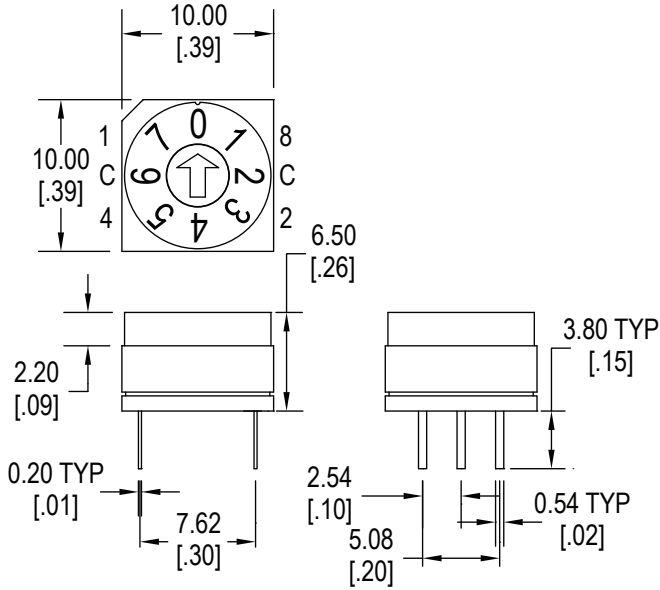


A - Octagonal

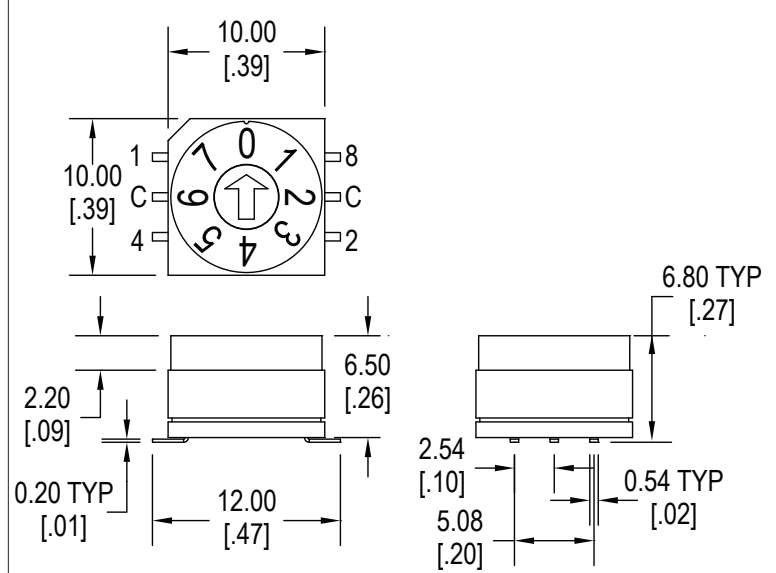
RD10

Process Sealed Coded Rotary DIP - 10mm

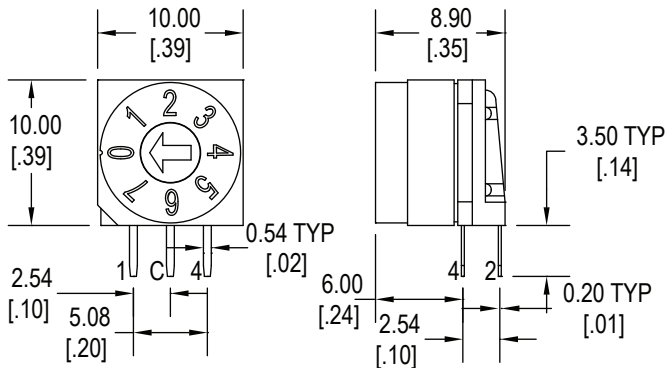
Dimensions - 8 Position



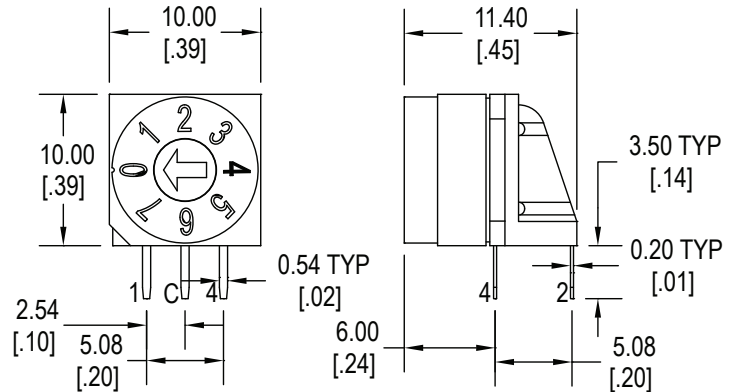
T Terminals



G Terminals

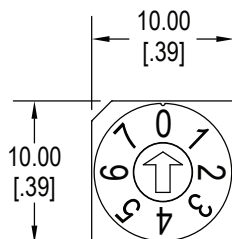


VA Terminals

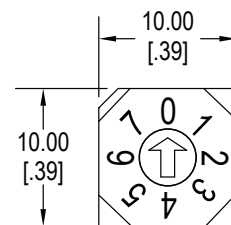


VB Terminals

Housing Options

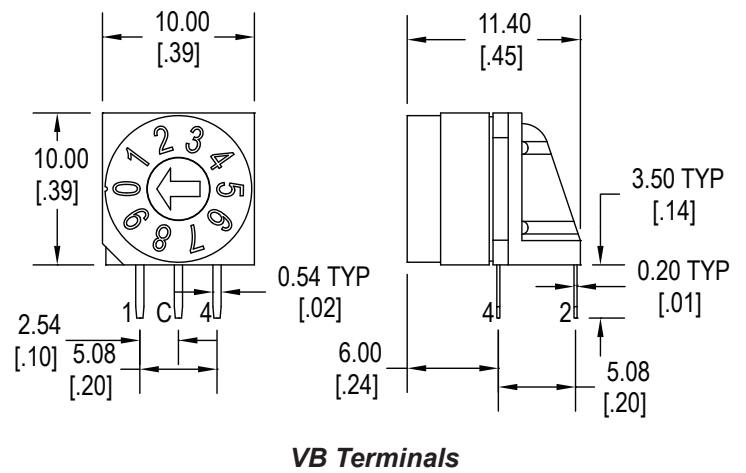
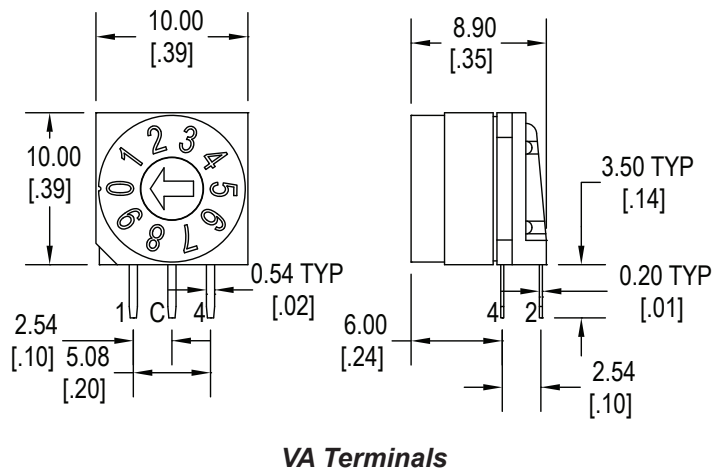
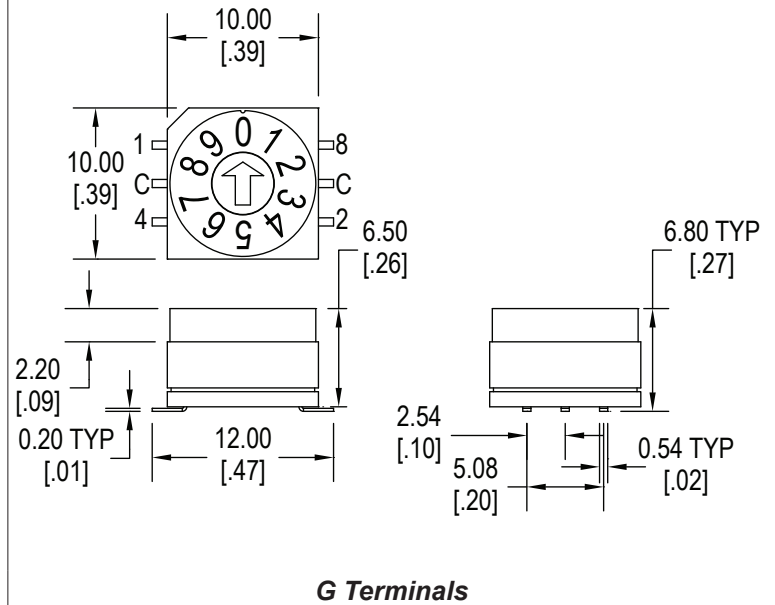
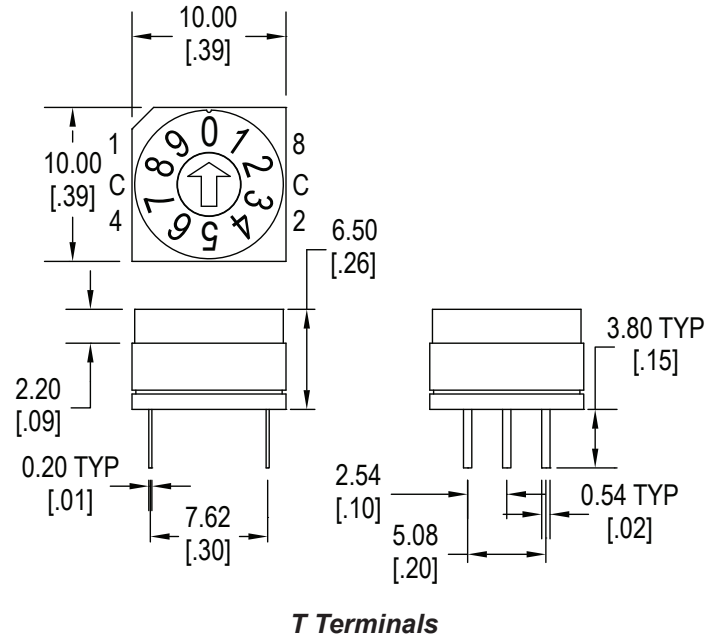


R - Round

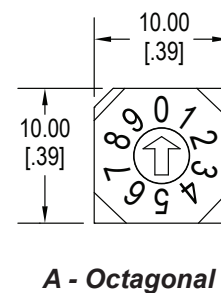
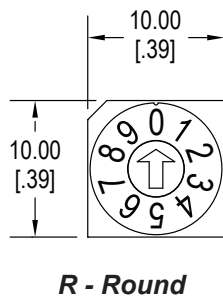


A - Octagonal

Dimensions - 10 Position



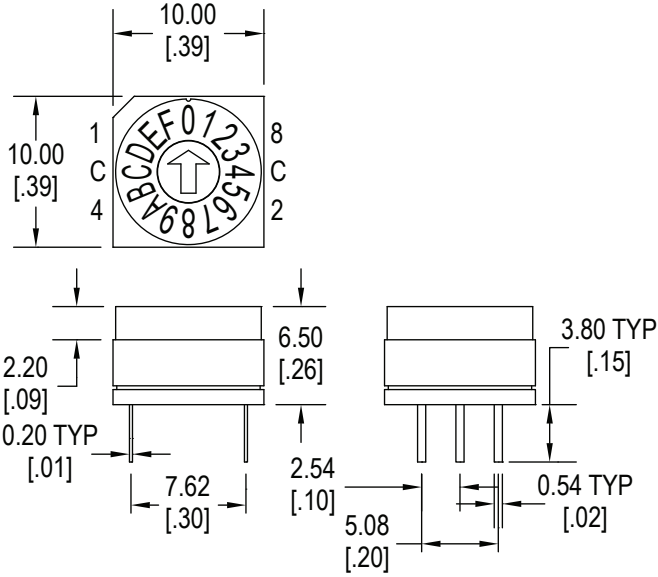
Housing Options



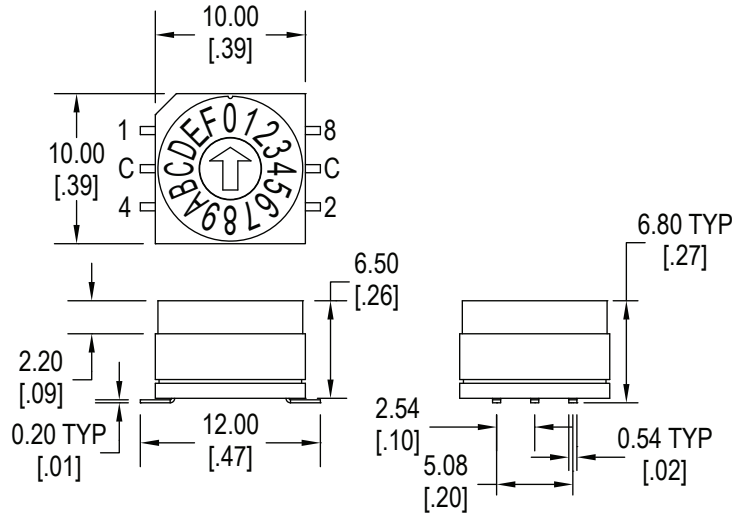
RD10

Process Sealed Coded Rotary DIP - 10mm

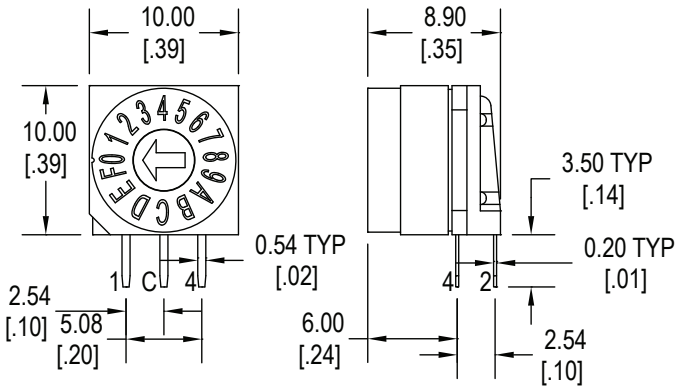
Dimensions - 16 Position



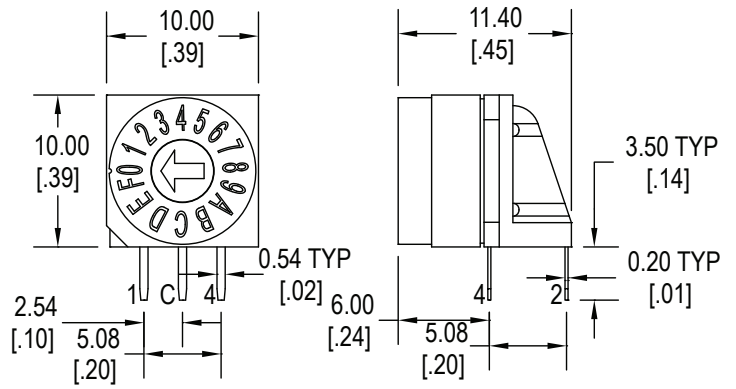
T Terminals



G Terminals

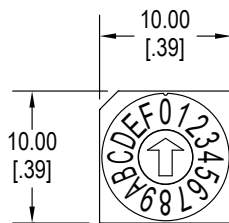


VA Terminals

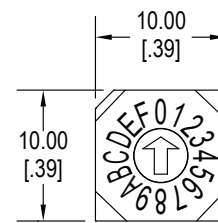


VB Terminals

Housing Options

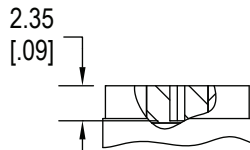
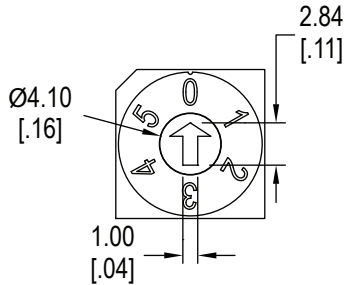


R - Round

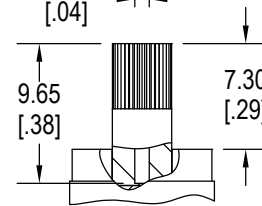
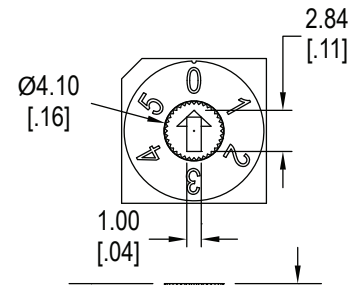


A - Octagonal

Actuator Options

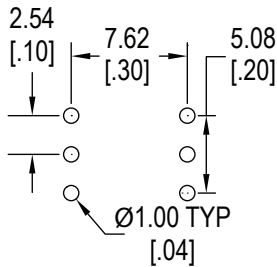


A - Arrow, Flush

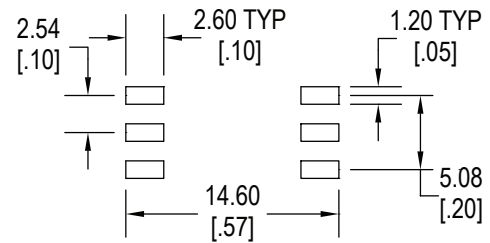


B - Arrow, Knurled 7.3mm

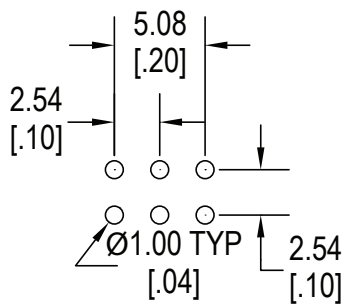
PC Layouts



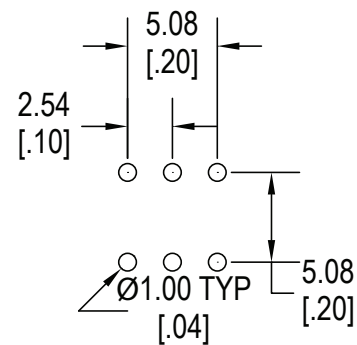
T - Through Hole PC Pin



G - Gull Wing, Surface Mount



VA - Right Angle PC Pin, 2.54mm spacing



VB - Right Angle PC Pin, 5.08mm spacing

RD10

Process Sealed Coded Rotary DIP - 10mm

Code Options

4 Position Real Code			
Position	C	1	2
0	♦		
1	♦	♦	
2	♦		♦
3	♦	♦	♦

4 Position, BCD

4 Position Complement Code			
Position	C	1	2
0	♦	♦	♦
1	♦		♦
2	♦	♦	
3	♦		

4 Position, BCD Complement

6 Position Real Code					
Position	C	1	2	4	8
0	♦				
1	♦	♦			
2	♦		♦		
3	♦	♦	♦		
4	♦			♦	
5	♦	♦		♦	

6 Position, BCD

6 Position Complement Code					
Position	C	1	2	4	8
0	♦	♦	♦	♦	♦
1	♦		♦	♦	♦
2	♦	♦		♦	♦
3	♦			♦	♦
4	♦	♦	♦		♦
5	♦		♦		♦

6 Position, BCD Complement

8 Position Real Code					
Position	C	1	2	4	8
0	♦				
1	♦	♦			
2	♦		♦		
3	♦	♦	♦		
4	♦			♦	
5	♦	♦		♦	
6	♦		♦	♦	
7	♦	♦	♦	♦	

8 Position, BCD

8 Position Complement Code					
Position	C	1	2	4	8
0	♦	♦	♦	♦	♦
1	♦		♦	♦	♦
2	♦	♦		♦	♦
3	♦			♦	♦
4	♦	♦	♦		♦
5	♦		♦		♦
6	♦	♦			♦
7	♦				♦

8 Position, BCD Complement

Code Options

10 Position Real Code					
Position	C	1	2	4	8
0	♦				
1	♦	♦			
2	♦		♦		
3	♦	♦	♦		
4	♦			♦	
5	♦	♦		♦	
6	♦		♦	♦	
7	♦	♦	♦	♦	
8	♦				♦
9	♦	♦			♦

10 Position, BCD

10 Position Complement Code					
Position	C	1	2	4	8
0	♦	♦	♦	♦	♦
1	♦		♦	♦	♦
2	♦	♦		♦	♦
3	♦			♦	♦
4	♦	♦	♦		♦
5	♦		♦		♦
6	♦	♦			♦
7	♦				♦
8	♦	♦	♦	♦	
9	♦		♦	♦	

10 Position, BCD Complement

16 Position Real Code						
Position	C	1	2	4	8	-
0	♦					0
1	♦	♦				1
2	♦		♦			2
3	♦	♦	♦			3
4	♦			♦		4
5	♦	♦		♦		5
6	♦		♦	♦		6
7	♦	♦	♦	♦		7
8	♦				♦	8
9	♦	♦			♦	9
10	♦		♦		♦	A
11	♦	♦	♦		♦	B
12	♦			♦	♦	C
13	♦	♦		♦	♦	D
14	♦		♦	♦	♦	E
15	♦	♦	♦	♦	♦	F

16 Position, BCD

16 Position Complement Code						
Position	C	1	2	4	8	-
0	♦	♦	♦	♦	♦	0
1	♦		♦	♦	♦	1
2	♦	♦		♦	♦	2
3	♦			♦	♦	3
4	♦	♦	♦		♦	4
5	♦		♦		♦	5
6	♦	♦			♦	6
7	♦				♦	7
8	♦	♦	♦	♦		8
9	♦		♦	♦		9
10	♦	♦		♦		A
11	♦			♦		B
12	♦	♦	♦			C
13	♦		♦			D
14	♦	♦				E
15	♦					F

16 Position, BCD Complement