

Process Sealed Surface Mount Miniature Toggle

Specifications

Switch Function	SPDT	Dielectric Strength	1500Vrms min
Electrical Ratings	3A @ 120VAC Resistive	Insulation Resistance	≥ 100MΩ min
	1.5A @ 250VAC Resistive	Operating Temperature	-40°C to 85°C
	See Contact Options	Storage Temperature	-40°C to 85°C
Electrical Life	55,000 cycles typical	Packaging	500 pieces per reel
Contact Resistance	≤ 20mΩ initial @ 2-4VDC, 100mA	Sealing Degree	IP67

Materials

Actuator	Brass, Chrome Plated
Housing	4/6 Nylon, Glass Filled Flame Redardant Heat Stabilized, UL94V-0
Bracket	Brass, Tin Plated
Contacts	Copper Alloy, Silver or Gold Plated
Terminals	Copper Alloy, Silver or Gold Plated

Ordering Information

1. Series	SST	1	3	T2	N	K	G
SST							
2. Number of Poles 1 = SPDT							
3. Switch Function 1 = ON-NONE-ON 2 = ON-NONE-(ON) 3 = ON-OFF-ON 4 = (ON)-OFF-(ON)							
4. Actuator T1 = 10.16mm, Standard T2 = 6.10mm, Standard T4 = 13.97mm, Standard P1 = 10.16mm, Plastic, Anti-Static P2 = 6.10mm, Plastic, Anti-Static							
5. Bushing N = 4.11mm, Non-Threaded							
6. Terminals R = Standard SMT K = Straight SMT							
7. Contacts Q = Silver Plated R = Gold Plated G = Gold over Silver Plated							

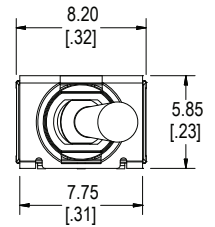
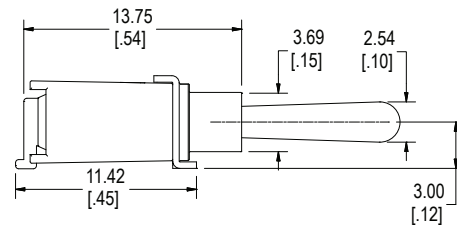
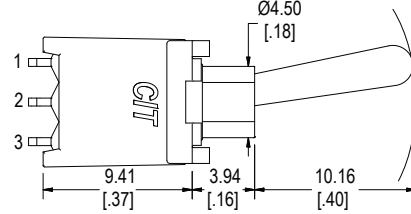
Switch Function



SPDT

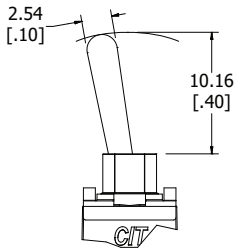


Function	Toggle Position		
1	ON	NONE	ON
2	ON	NONE	(ON)
3	ON	OFF	ON
4	(ON)	OFF	(ON)
5	ON	OFF	(ON)
Terminals	2-3	-	2-1

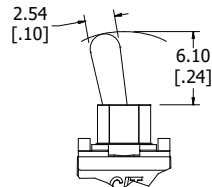


Actuator Options

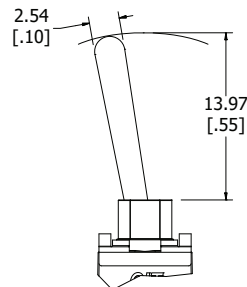
T1



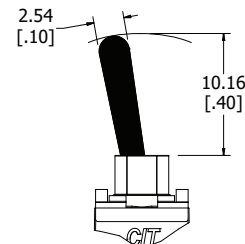
T2



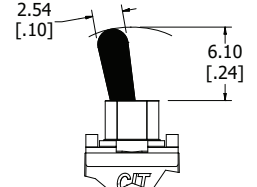
T4



P1

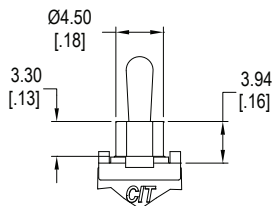
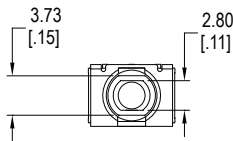


P2

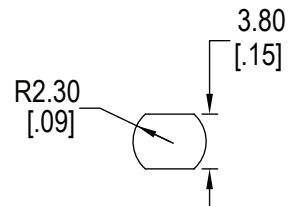


Bushing

N, Non-Threaded, 4.11mm

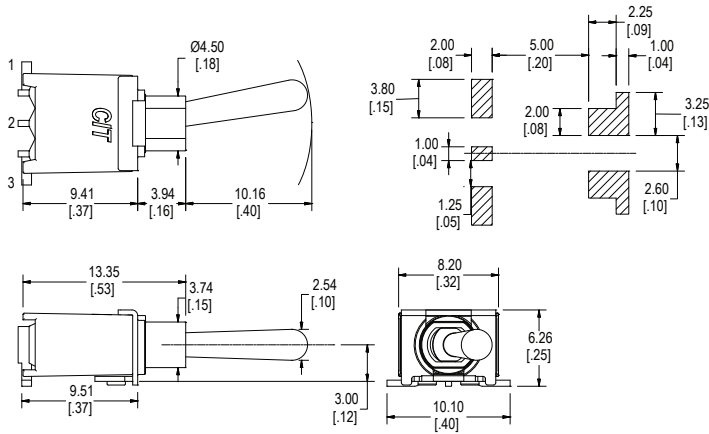


Panel Cut-Out

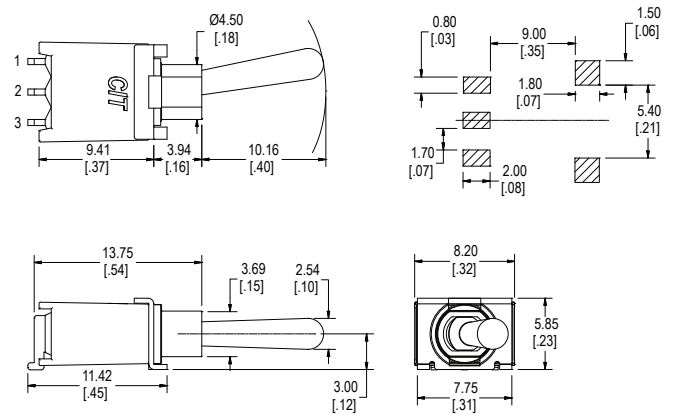


Terminal Options & PC Layouts

R, Single Pole Double Throw



K, Single Pole Double Throw



Contact Options

Designator	Contact Material	Terminal Material	Electrical Ratings
Q	Silver Plating	Silver Plating	3A @ 120VAC; 1.5A @ 250VAC Resistive
R	Gold over Nickel Plating	Gold over Nickel Plating	.4VA max @ 20VAC or VAC max
G	Gold over Silver Plating	Gold over Silver Plating	.4VA max @ 20VAC or VAC max or 3A @ 120VAC, 1.5A @ 250VAC Resistive