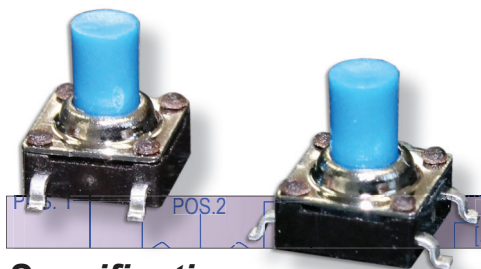


RoHS Compliant

Surface Mount, Process Sealed Tactile



Specifications

Electrical Ratings	50mA @ 48VDC
Electrical Life	500,000 cycles typical
Contact Resistance	≤50mΩ initial
Actuation Force	160 ± 50gF 200 ± 50gF 260 ± 50gF
Actuator Travel	.28mm +.20mm / -.10mm

Dielectric Strength	250Vrms min
Insulation Resistance	≥100MΩ min
Operating Temperature	-40°C to 85°C
Storage Temperature	-40°C to 85°C
Sealing Degree	IP67
Quantity per reel	4.3mm = 1K pieces per reel 5.0mm = 1K pieces per reel 7.3mm = 700 pieces per reel

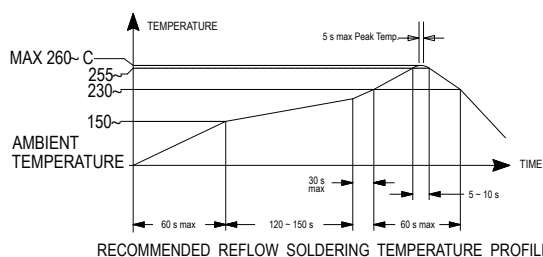
Materials

Actuator	PA6T Nylon
Actuator Cover	Brass, Tin Plated
Switch Housing	PPS
Seal	Silicon, Rubber
Contacts	Stainless Steel, Silver Plated
Terminals	Copper Alloy, Silver Plated

Ordering Information

1. Series	STR	5.0	L	F200	Q	G
STR						
2. Actuator Height	4.3 = 4.3mm 5.0 = 5.0mm 7.3 = 7.3mm					
3. Contact Options	L = Stainless Steel Dome					
4. Actuation Force	F160 = 160gF F200 = 200gF F260 = 260gF					
5. Contact Material	Q = Silver plated contacts					
6. Terminal Options	G = Gull Wing					

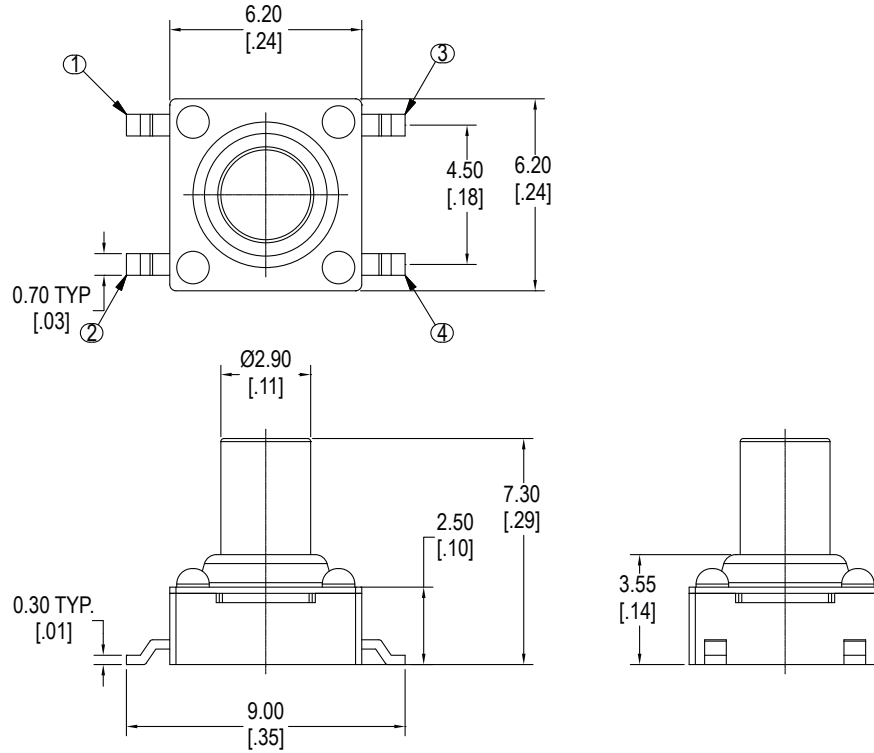
Recommended Reflow Soldering Diagram



STR

Surface Mount, Process Sealed Tactile

Dimensions



Schematic & PC Layout

