



## Specifications

|                    |                          |
|--------------------|--------------------------|
| Electrical Ratings | 50mA @ 48VDC             |
| Electrical Life    | 500,000 cycles typical   |
| Contact Resistance | ≤50mΩ initial            |
| Actuation Force    | 200 ± 50gF<br>260 ± 50gF |
| Actuator Travel    | .45 + 0.20mm / - 0.10mm  |

|                       |   |
|-----------------------|---|
| Dielectric Strength   | 250Vrms min   |
| Insulation Resistance | ≥100MΩ min  |
| Operating Temperature | -40°C to 85°C   |
| Storage Temperature   | -40°C to 85°C   |
| Sealing Degree        | IP67  |
| Quantity per reel     | 4.3mm = 1K pieces per reel<br>5.0mm = 1K pieces per reel<br>7.0mm = 700 pieces per reel |

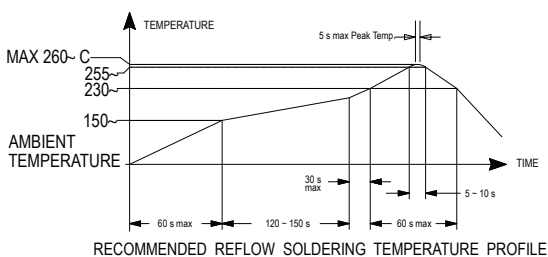
## Materials

|                |                                |
|----------------|--------------------------------|
| Actuator       | PA6T Nylon                     |
| Actuator Cover | Brass, Tin Plated              |
| Switch Housing | PPS                            |
| Seal           | Silicone Rubber                |
| Contacts       | Stainless Steel, Silver Plated |
| Terminals      | Copper Alloy, Silver Plated    |

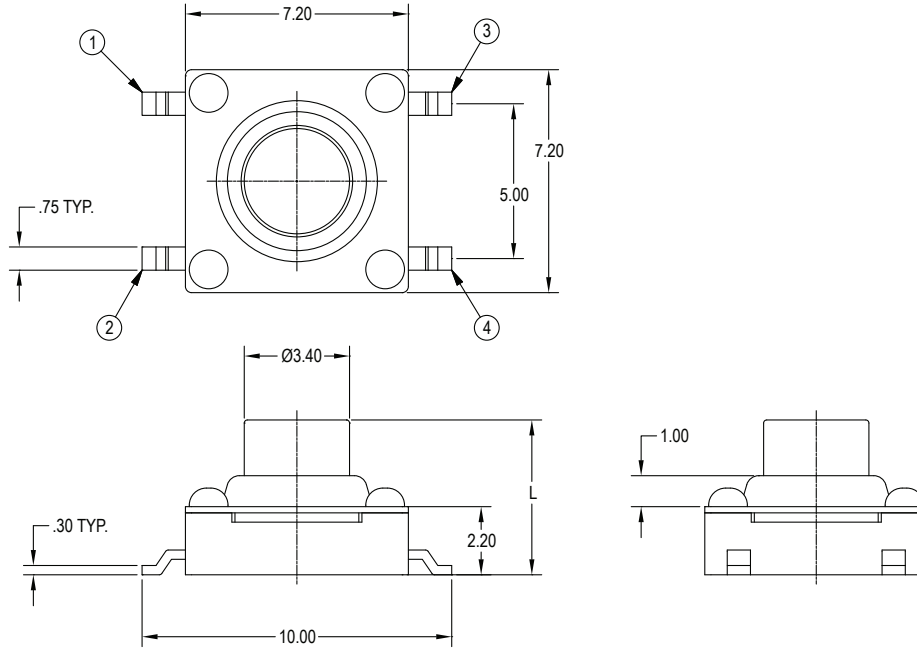
## Ordering Information

|                     |   |     |   |      |   |   |
|---------------------|---|-----|---|------|---|---|
| 1. Series           | STS                                       | 5.0 | L | F200 | Q | G |
| STS                 |   |     |   |      |   |   |
| 2. Actuator Height  | 4.3 = 4.3mm<br>5.0 = 5.0mm<br>7.0 = 7.0mm |     |   |      |   |   |
| 3. Contact Options  | L = Stainless Steel dome                  |     |   |      |   |   |
| 4. Actuation Force  | F200 = 200gF<br>F260 = 260gF              |     |   |      |   |   |
| 5. Contact Material | Q = Silver Plated                         |     |   |      |   |   |
| 6. Terminal Options | G = Gull Wing                             |     |   |      |   |   |

## Recommended Reflow Soldering Diagram



## Dimensions



## Schematic & PC Layout

