



UL & TÜV Approved Miniature Snap-Action

Specifications

UL Electrical Ratings	Evaluated to UL 61058-1 1/2hp@125VAC/250VAC; T120, 10K cycles 10.1A@277VAC resistive, T120, 10K cycles 10.1A@125VAC inductive, T120, 10K cycles	Mechanical Life	10,000,000 cycles, typical
	Evaluated to UL 1054 16A@125VAC/250VAC resistive, T120, 6K cycles 6A@125VAC/250VAC general purpose, T120, 6K cycles 5A@125VAC inductive, T120, 6K cycles	Contact Resistance < 20m Ω initial Actuation Forces 80gF or 180gF Dielectric Strength 1000Vrms min. @ sea level Insulation Resistance ≥ 100MΩ min Operating Temperature -40°C to +120°C Storage Temperature -40°C to +120°C	Operating Temperature Storage Temperature
TÜV Electrical Ratings	16(6)@250VAC; 10K cycles T120; 50K cycles T85		

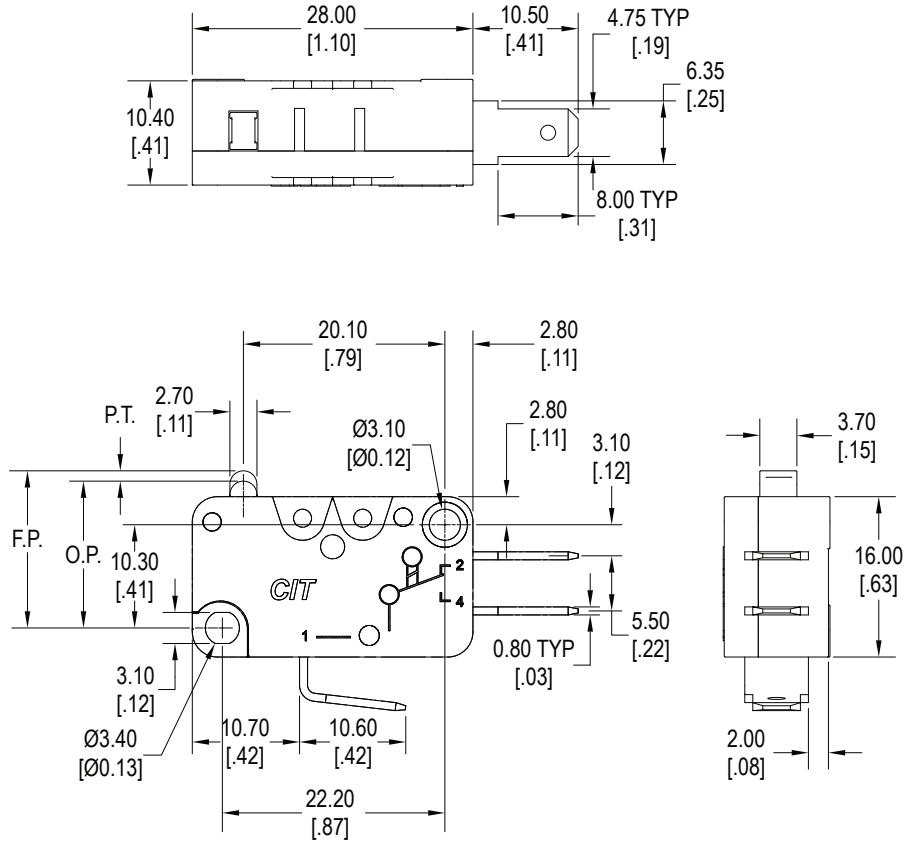
Materials

Base / Cover	Polybutylene Terephthalate (PBT), UL94-V0
Pin Plunger	Polybutylene Terephthalate (PBT), UL94-V0
Contacts	Silver Alloy
Terminals	Copper Alloy, Silver Plated

Ordering Information

1. Series	VM3	C	Q	F080	1	L00
VM3						
2. Circuit	A = SPST NO B = SPST NC C = SPDT					
3. Contact Material	Q = Silver					
4. Operating Force without lever **Contact factory for other force options	F080 = 80gF F180 = 180gF					
5. Termination	1 = 0.250" Quick Connect 2 = 0.187" x 0.8mm Quick Connect 3 = 0.187" x 0.5mm Quick Connect Thinner Version					
6. Actuator (Lever)	L00 = Pin plunger L01 = Roller lever, standard L02 = Simulated roller L03 = Hinge lever, standard L04 = Hinge lever, short L06 = Roller lever, short L07 = Hinge lever, long					

Dimensions - Standard

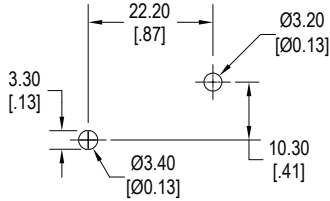


Switch Characteristics

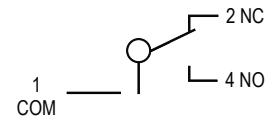
Actuators (Levers)	Operating Force - OF (grams)		Release Force - RF (grams)		Free Position (FP) all forces (mm)	Pre-Travel (PT) all forces max (mm)	Operating Position (OP) all forces (mm)	Over Travel (OT)	*Movement Differential (MD) all forces max (mm)
	80gF	180gF	80gF	180gF					
L00	80±20	180±30	40±15	90±20	15.7	1.4	14.3	1.1	0.4
L01	40±15	80±20	20±10	60±20	22.3	3.7	18.6	2.5	0.7
L02	40±15	80±20	20±10	40±20	20.8	3.1	17.7	2.3	0.7
L03	35±10	70±20	18±8	50±20	17.3	3.3	14.0	2.3	0.6
L04	65±15	145±30	35±15	60±20	16.4	2.2	14.2	1.2	0.5
L06	80±20	180±30	40±15	80±20	21.8	1.9	19.9	1.2	0.4
L07	18±10	40±15	10±5	20±10	19.0	7.7	11.3	7.1	1.9

*Movement Differential (MD) : Distance or angle from the operating position to the release position.

Panel Mounting



Schematic



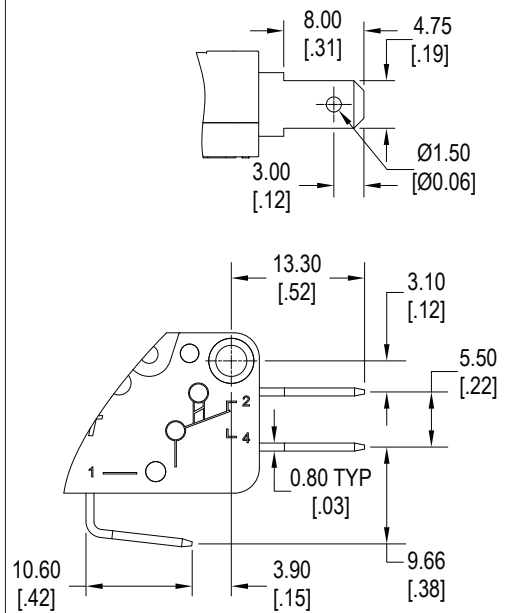
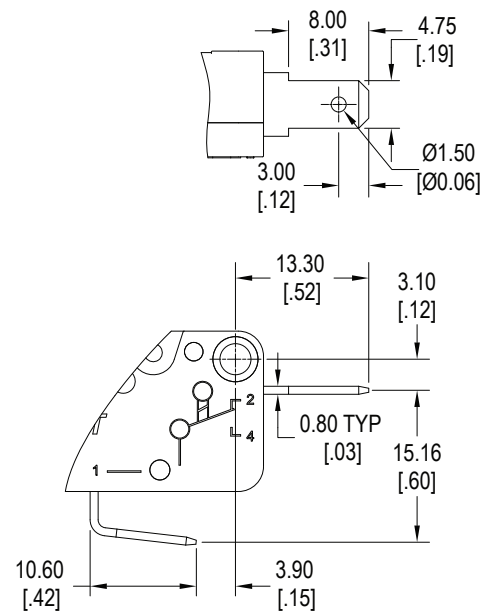
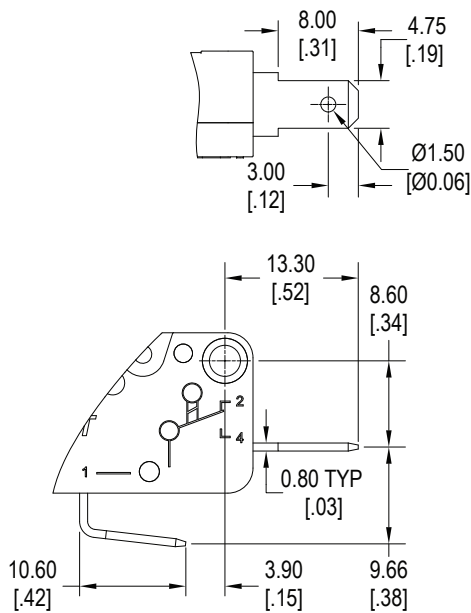
Terminal Options

.187" x 0.8mm Quick Connect Terminals

SPST Normally Open

SPST Normally Closed

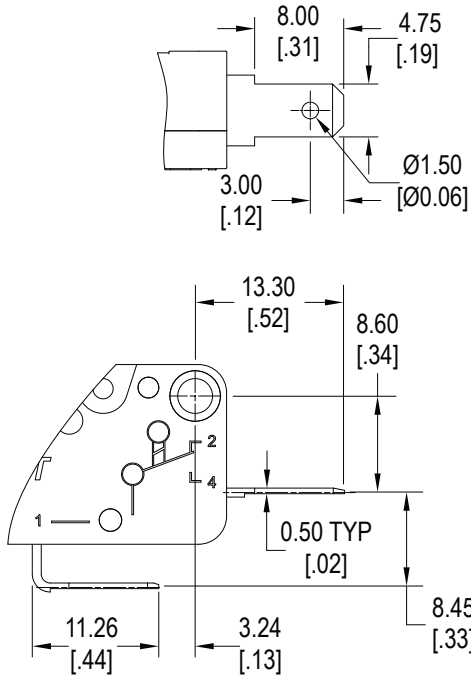
SPDT



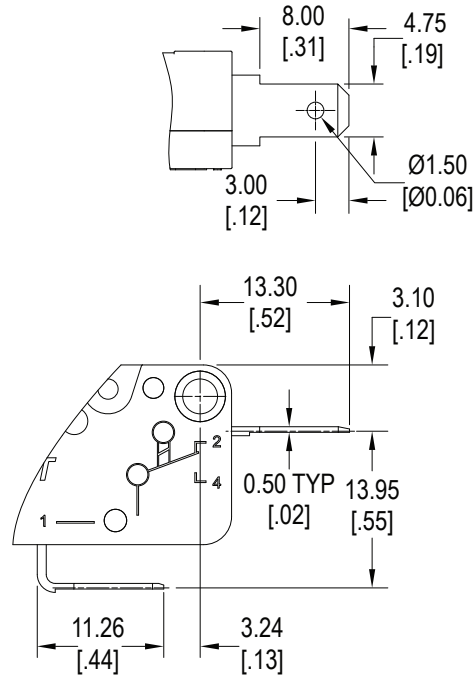
Terminal Options

.187" x 0.5mm Quick Connect Terminals

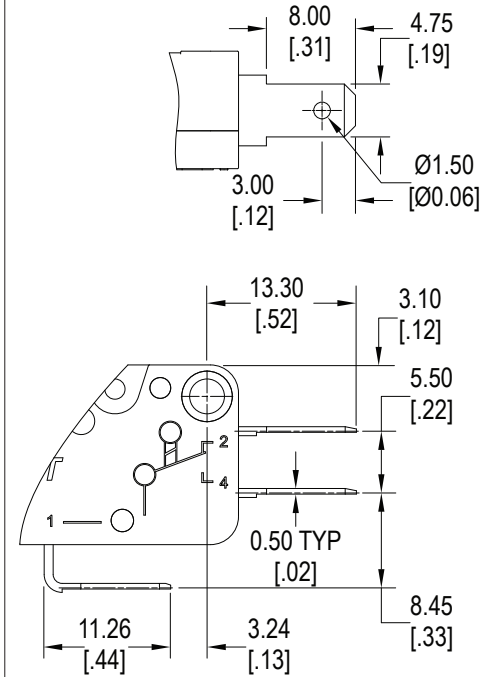
SPST Normally Open



SPST Normally Closed

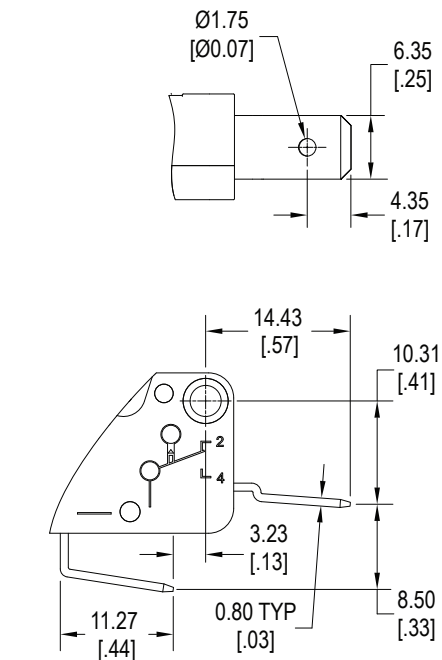


SPDT

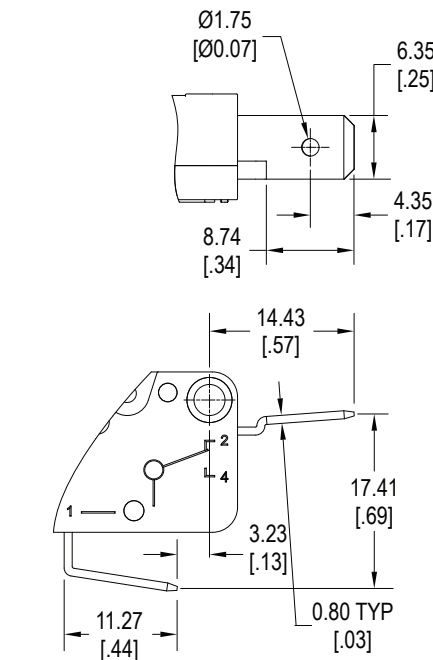


.250" Quick Connect Terminals

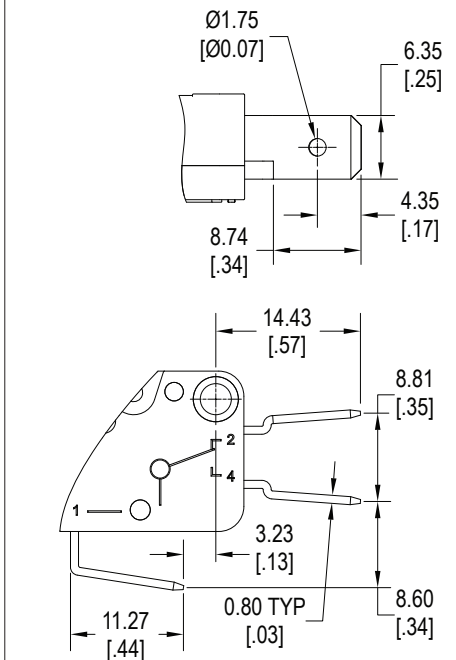
SPST Normally Open



SPST Normally Closed

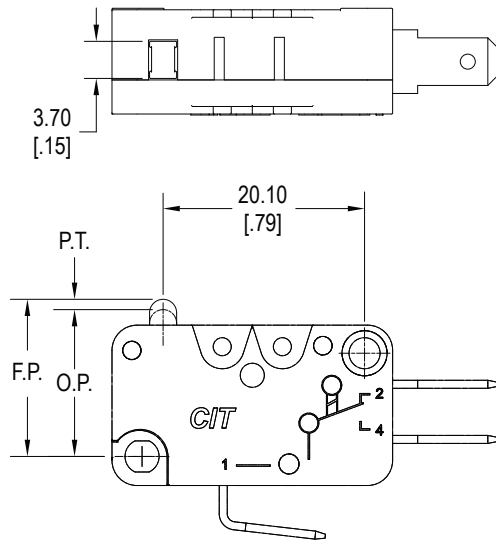


SPDT

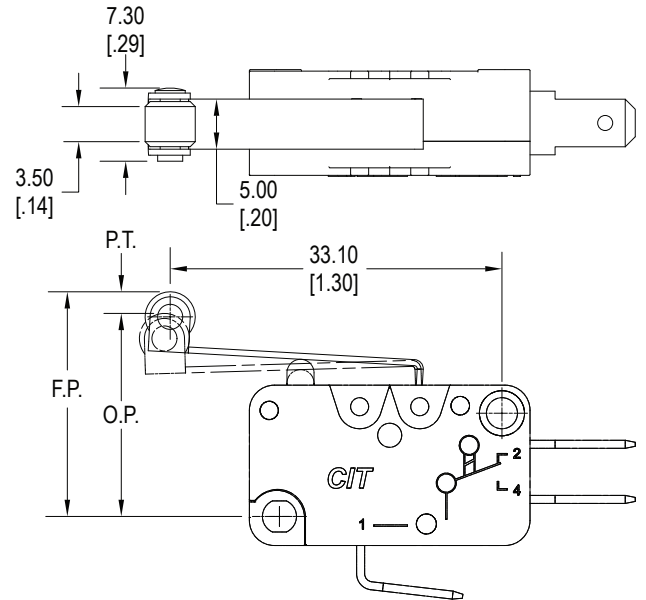


Levers

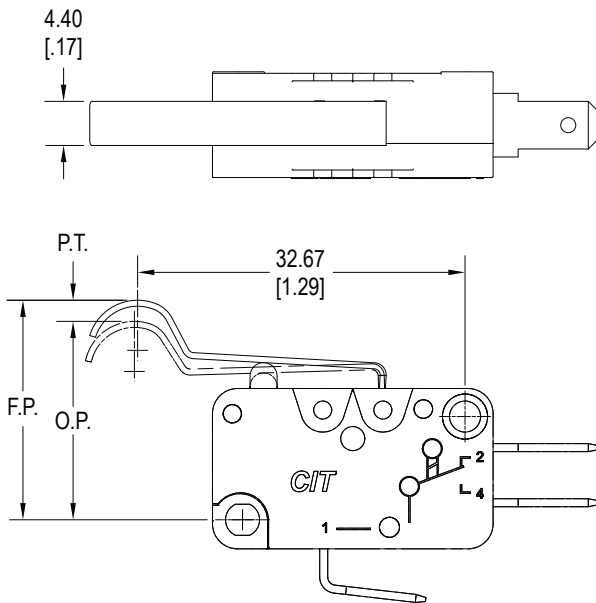
L00, Pin Plunger



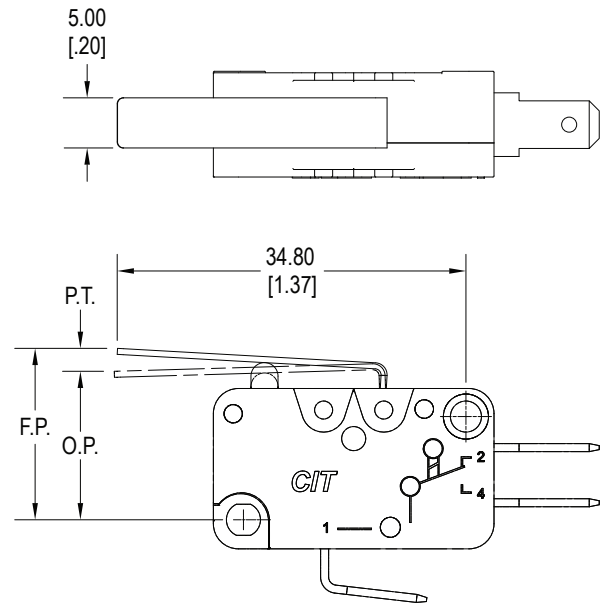
L01, Standard Roller



L02, Simulated Roller

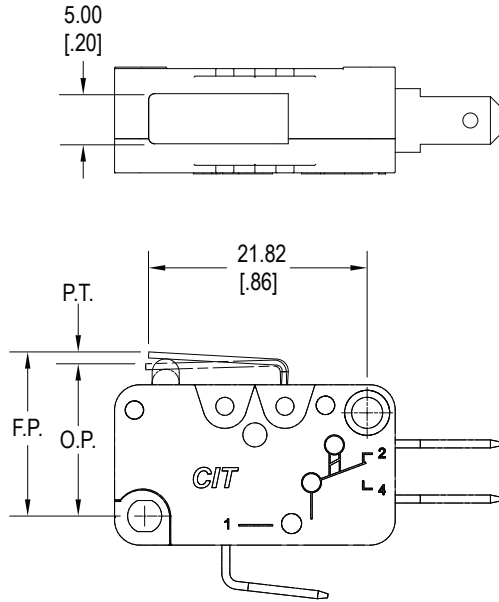


L03, Standard Hinge

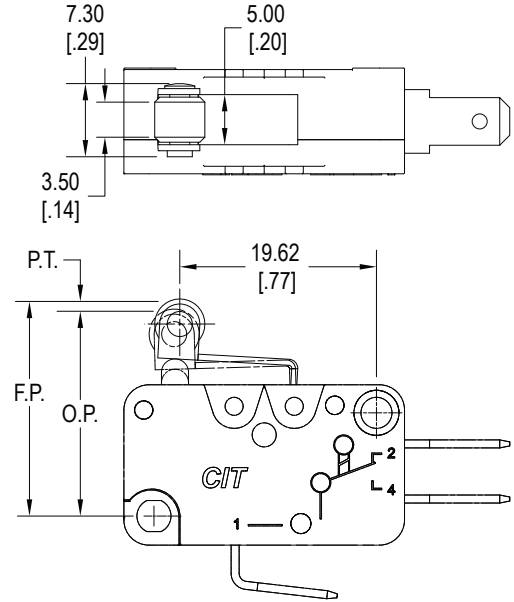


Lever Options

L04, Short Hinge



L06, Short Roller



L07, Long Hinge

