

CIRCUIT BREAKER WITH ON/OFF CAPABILITY

This unique circuit breaker consists of a thermal circuit breaker and a rocker switch style housing. When an overload condition occurs, the contacts will break apart. By returning the actuator to the OFF position then back to ON, the circuit breaker mechanism will reset.



us - E198027

SPECIFICATIONS

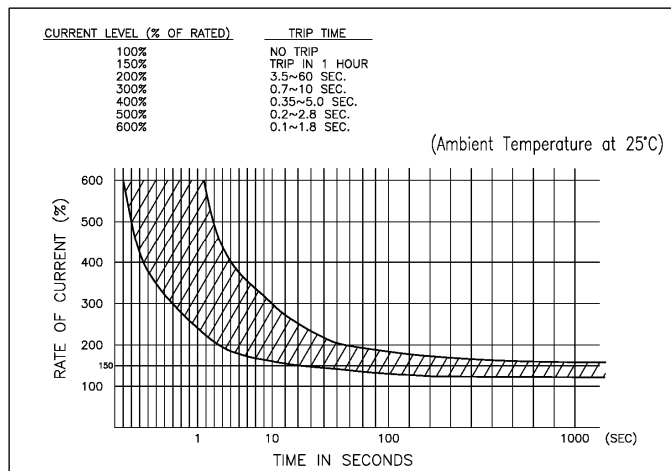
Electrical Ratings	2A~20A @ 125/250VAC
Electrical Life	10,000 cycles typical
Contact Resistance	< 30 mΩ max initial @ 2-4VDC, 100mA
Dielectric Strength	3000Vrms min (Terminal – Terminal)
Insulation Resistance	> 1,000MΩ min
Interrupt Capacity	2000A @ 125VAC
Operating Temperature	-40°C to 85°C
Storage Temperature	-40°C to 85°C

MATERIALS ←RoHS COMPLIANT

Actuator	PC (Poly Carbonate)
Housing	Nylon
Rivits	Aluminum
Contacts	AgSnO ₂
Terminals	Brass

TRIP TIMES / CURRENT LEVELS

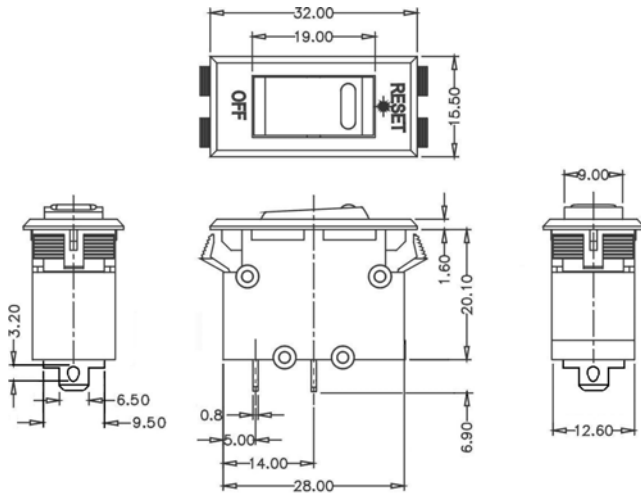
% of Rated Current	Trip Time
100	No Trip
150	< 1 Hour
200	3.5 – 60 Sec.
300	0.7 – 10 Sec.
400	0.35 – 5 Sec.
500	0.2 – 2.8 Sec.
600	0.1 – 1.8 Sec.



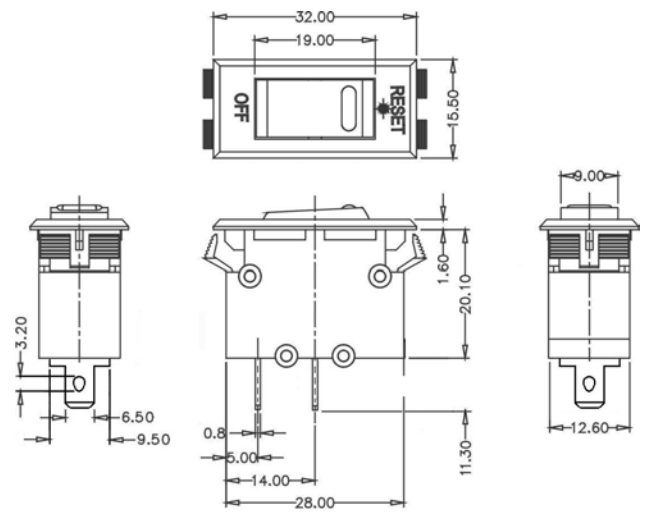
ORDERING INFORMATION

1. Series:	CITR2	15	Q2	L	S
CITR2					
2. Contact Ratings (A):	02, 03, 04, 06, 08, 10, 12, 15, 20				
3. Termination Options:	Q1 = Short Quick Connects Q2 = Long Quick Connects RP = Right Angle PC Pins				
4. Lamp Options:	N = No Lamp, Opaque Red Actuator L = 125VAC Neon, Translucent Red Actuator K = No Lamp, Translucent Red Actuator G = 125VAC Neon, Translucent Green Actuator H = No Lamp, Translucent Green Actuator				
5. Printing Options:	None = No Printing S = Reset / OFF				

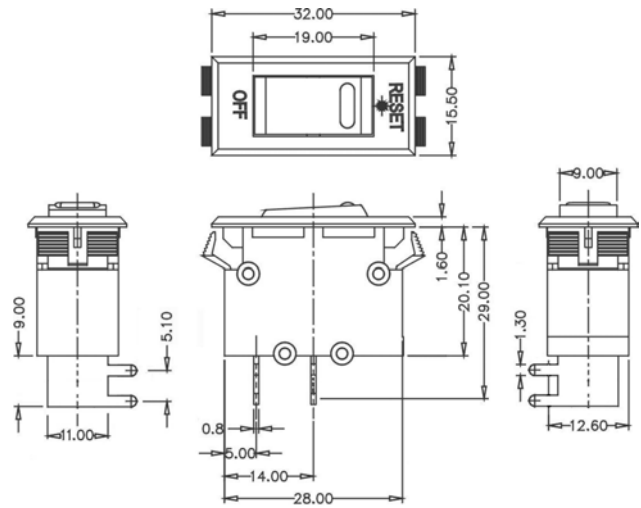
DIMENSIONS



Q1

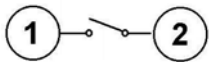


Q2



RP

SCHMATICS, PC LAYOUT, & PANEL MOUNTING

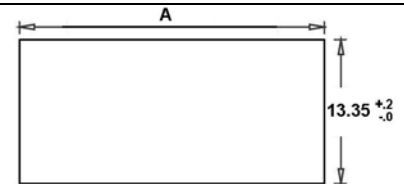
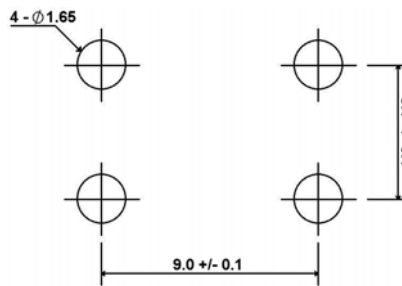


WITHOUT LAMP



WITH LAMP

125/250VAC NEON, 25K HOURS, 68KΩ Res.



THICKNESS

DIM "A"

0.8 ~ 1.0

28.4

+1 / -0

1.1 ~ 1.4

28.8

+1 / -0

1.5

29.0

+1 / -0