



Features

- Switch capacity up to 40A @ 14VDC
- Small size and light weight
- PCB pin mounting available
- Suitable for automobile and lamp accessories
- Two footprint styles available
- American & European PC layout styles available

Contact Data*

Contact Arrangement	1A = SPST N.O. 1B = SPST N.C. 1C = SPDT
Contact Rating	1A : 40A @ 14VDC, 20A @ 120VAC, 15A @ 28VDC 1B : 30A @ 14VDC, 20A @ 120VAC, 15A @ 28VDC 1C : 40A @ 14VDC N.O.; 30A @ 14VDC N.C. : 20A@120VAC, 15A @ 28VDC

Contact Resistance	< 50 milliohms initial
Contact Material	AgSnO ₂
Max Switching Power	360W
Max Switching Voltage	75VDC, 380VAC
Max Switching Current	40A

Coil Data*

Coil Voltage VDC		Coil Resistance Ω +/- 10%		Pick Up Voltage VDC (max)	Release Voltage VDC (min)	Coil Power W	Operate Time ms	Release Time ms
Rated	Max	1.6W	1.9W	70% of rated voltage	10% of rated voltage			
9	11.7	50.6	42.6	6.3	.9	1.6 1.9	5	3
12	15.6	90.0	75.8	8.4	1.2			
24	31.2	360.0	303.2	16.8	2.4			

General Data*

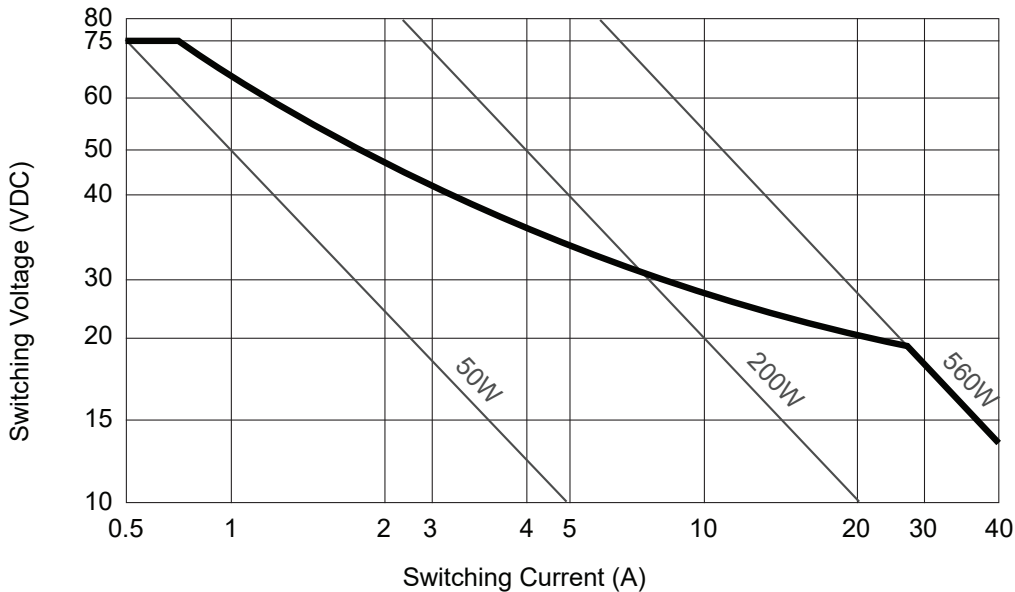
Electrical Life @ rated load	100K cycles, average
Mechanical Life	10M cycles, average
Insulation Resistance	100M Ω min. @ 500VDC initial
Dielectric Strength, Coil to Contact	750V rms min. @ sea level initial
Contact to Contact	500V rms min. @ sea level initial
Shock Resistance	200m/s ² for 11 ms
Vibration Resistance	1.27mm double amplitude 10~40Hz
Terminal (Copper Alloy) Strength	10N
Operating Temperature	-40°C to +125°C
Storage Temperature	-40°C to +155°C
Solderability	260°C for 5 s
Weight	19g open, 21g covered

* Values can change due to the switching frequency, desired reliability levels, environmental conditions and in-rush load levels. It is recommended to test actual load conditions for the application. It is the user's responsibility to determine the performance suitability for their specific application. The use of any coil voltage less than the rated coil voltage may compromise the operation of the relay.

Ordering Information

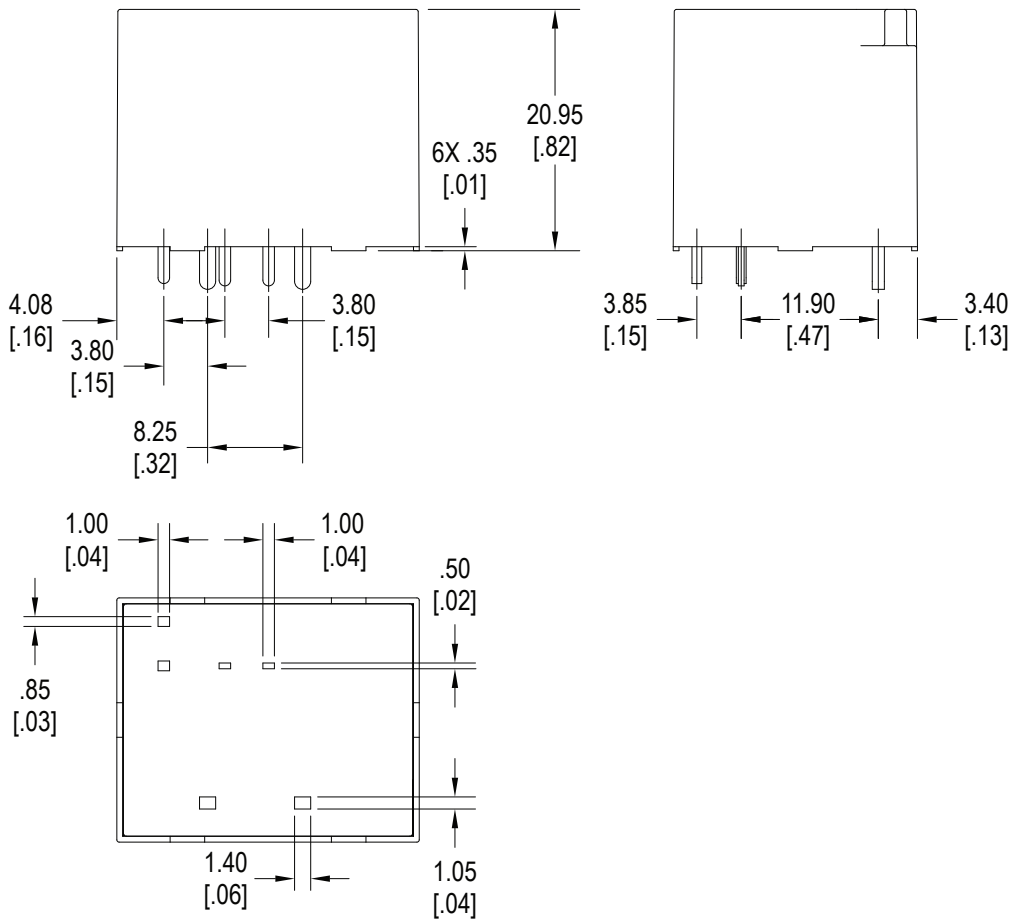
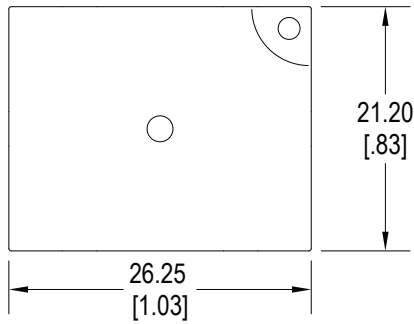
1. Series	A5	1A	S	12VDC	1.6	U
A5						
2. Contact Arrangement	1A = SPST N.O. 1B = SPST N.C. 1C = SPDT					
3. Sealing Option	O = Open frame S = Sealed Standard PC layout E = Sealed European PC layout					
4. Coil Voltage	9VDC 12VDC 24VDC					
5. Coil Power	1.6 = 1.6W 1.9 = 1.9W					
6. Contact Material	Blank = AgSnO ₂ U = AgSnO ₂ In ₂ O ₃					

DC Load Breaking Capacity Chart



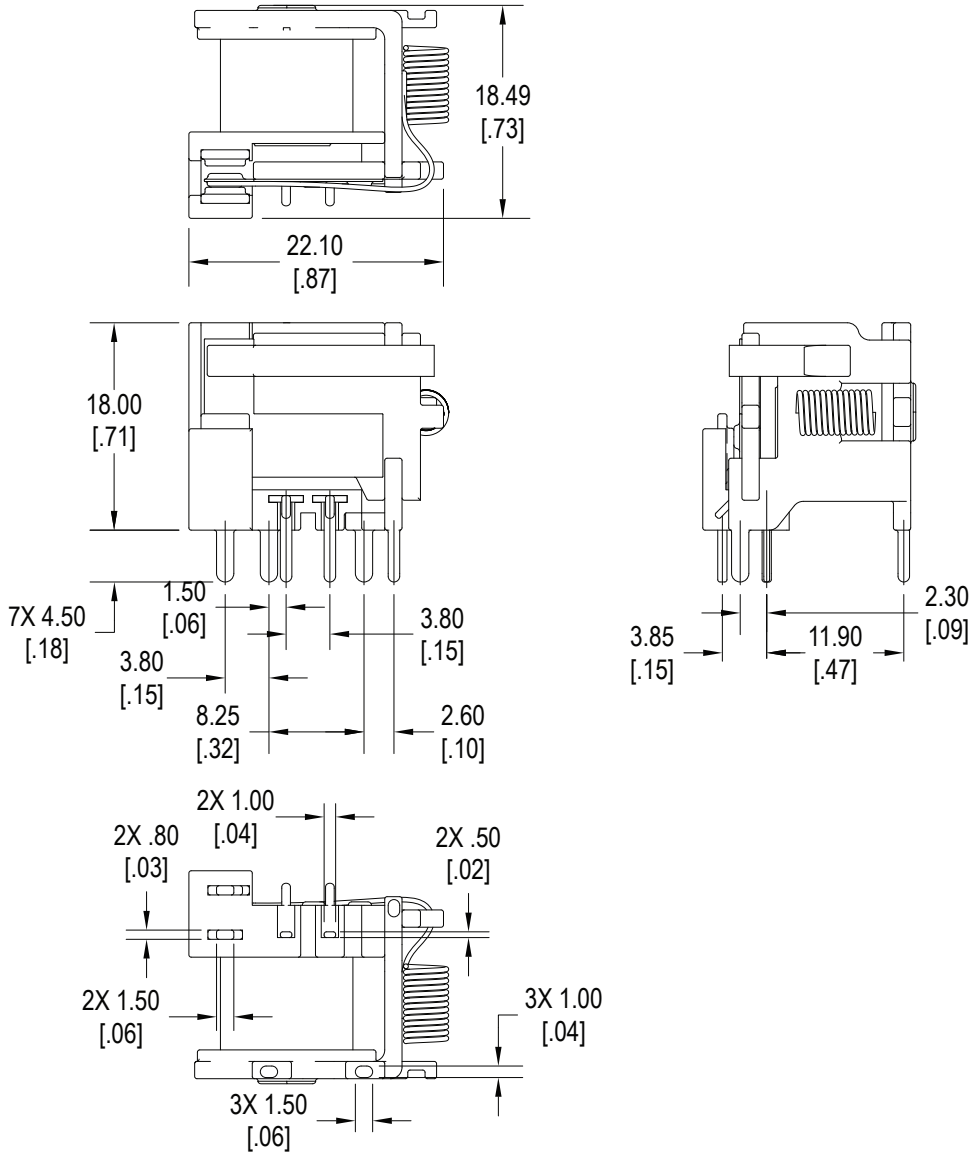
Dimensions - Sealed Standard

Units = mm



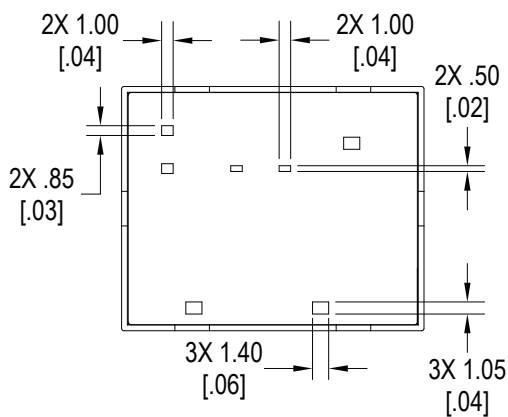
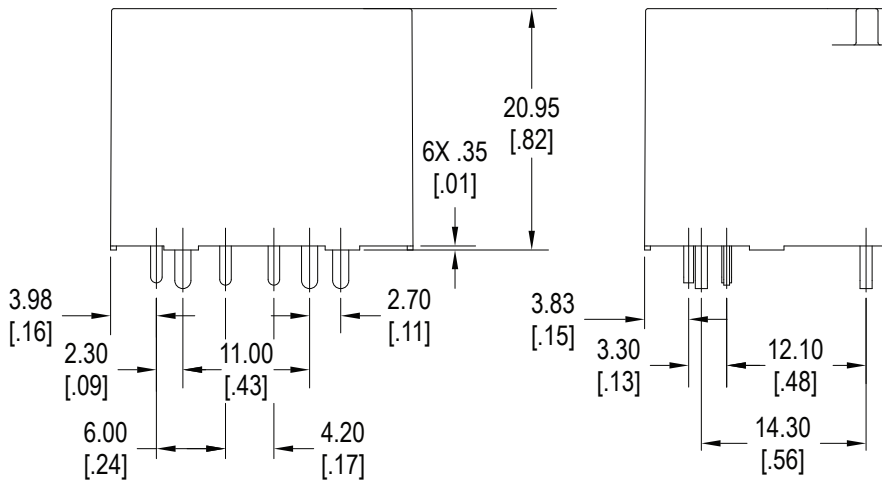
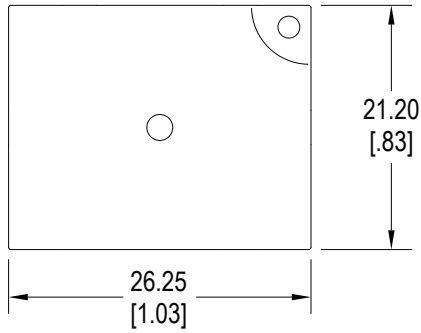
Dimensions - Open Frame

Units = mm



Dimensions - European

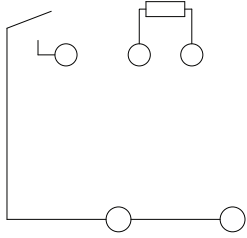
Units = mm



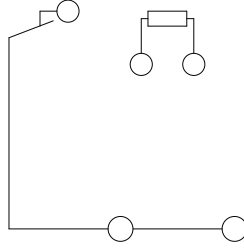
Schematics & PC Layouts

Bottom Views

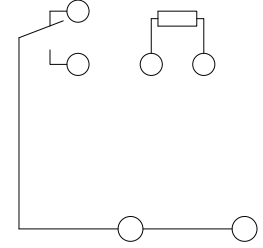
1A



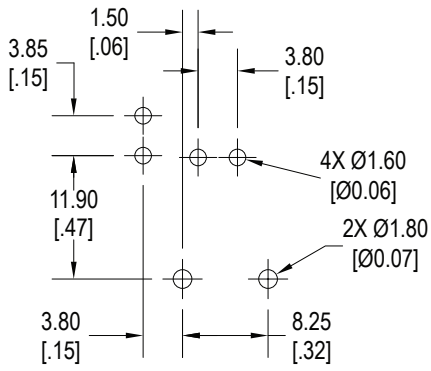
1B



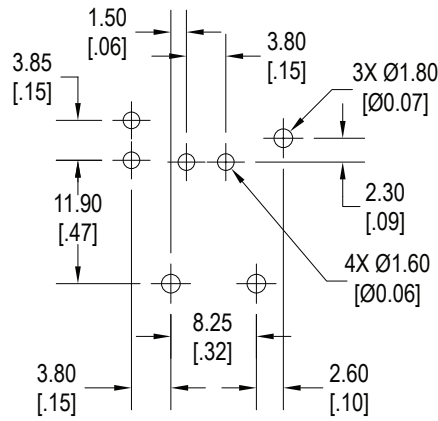
1C



Standard



Open Frame



European

