

Process Sealed Miniature Pushbutton

Specifications

Electrical Ratings	3A @ 120VAC, 28VDC 1A @ 250VAC See Contact Options	Dielectric Strength	1500Vrms min
Electrical Life	50,000 cycles typical	Insulation Resistance	>100MΩ min
Contact Resistance	<20mΩ initial @ 2-4VDC, 100mA	Operating Temperature	-40°C to 85°C
		Storage Temperature	-40°C to 85°C
		Sealing Degree	IP67

Materials

Actuator	4/6 Nylon, Glass Filled, Flame Retardant Heat Stabilized, UL94V-0
Housing	4/6 Nylon, Glass Filled, Flame Retardant Heat Stabilized, UL94V-0
Support Bracket	Steel, Tin Plated
Contacts	Copper Alloy, Silver or Gold Plated
Terminals	Copper Alloy, Silver or Gold Plated

Ordering Information

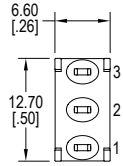
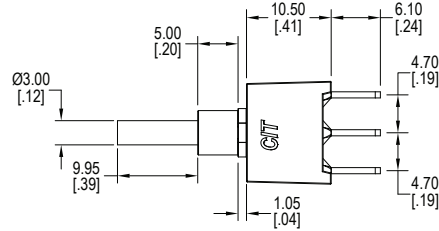
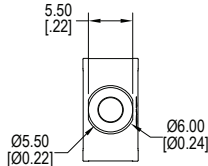
1. Series	ASP	1	1	T	N	H	Q
ASP							
2. Number of Poles							
1 = SPDT							
2 = DPDT							
3. Switch Function							
1 = ON - (ON)							
4. Actuator							
T = 7.11mm, standard							
5. Bushing							
E = 8.80mm, 1/4-40 UNS-2A Threaded							
N = 6.35mm, Non-threaded							
6. Terminals							
B = Solder Lug							
C = PC Pin							
D = Quick Connect							
H = Horizontal mount, right angle PC pin; HS = Snap-In							
V = Vertical mount, right angle PC pin							
S20 = PC pin with support bracket; V20 = Snap-In support bracket							
S25 = PC pin with support bracket; V25 = Snap-In support bracket							
7. Contacts							
Q = Silver plated							
R = Gold plated							
G = Gold over Silver plated							
8. Actuator Cap							
Blank = None							
C73							
C74							
C75							
C76							
C77							
	Actuator Cap Colors						
	See Cap Options for color availability						

Switch Function

SPDT



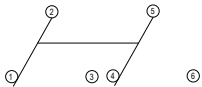
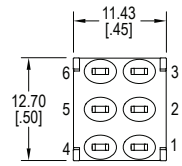
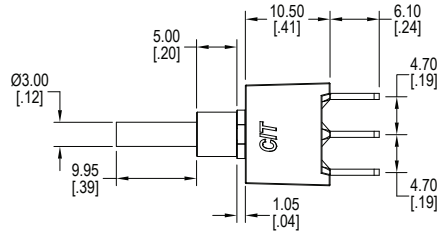
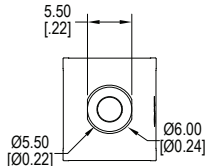
Function	Pushbutton Position	
1	ON	(ON)
Terminals	1-3	1-2



DPDT

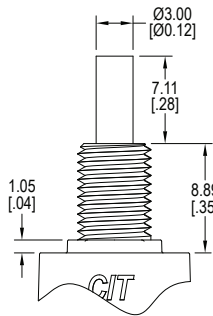


Function	Pushbutton Position	
1	ON	(ON)
Terminals	1-3 4-6	1-2 4-5

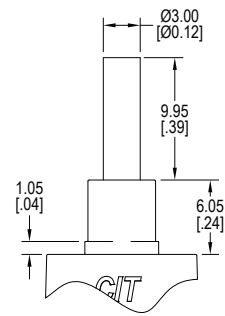


Actuator Options

T shown with E Bushing

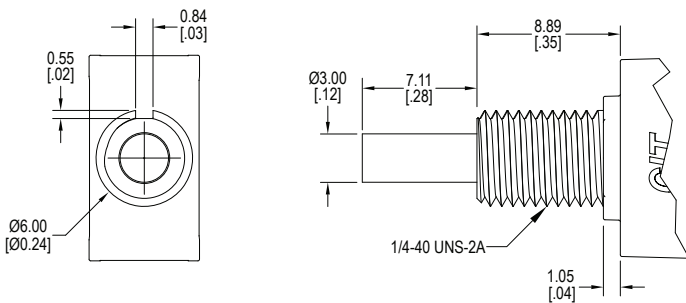


T shown with N Bushing

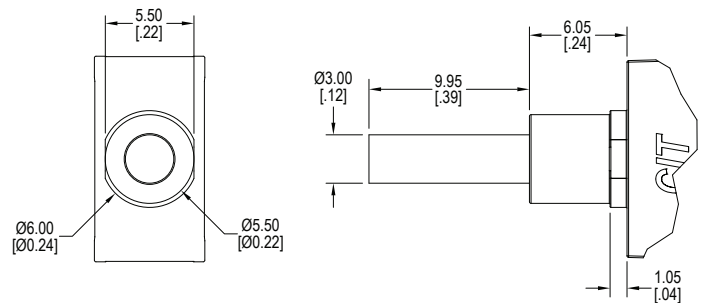


Bushing Options

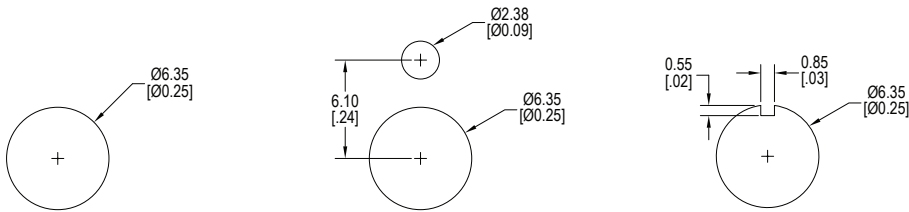
E



N

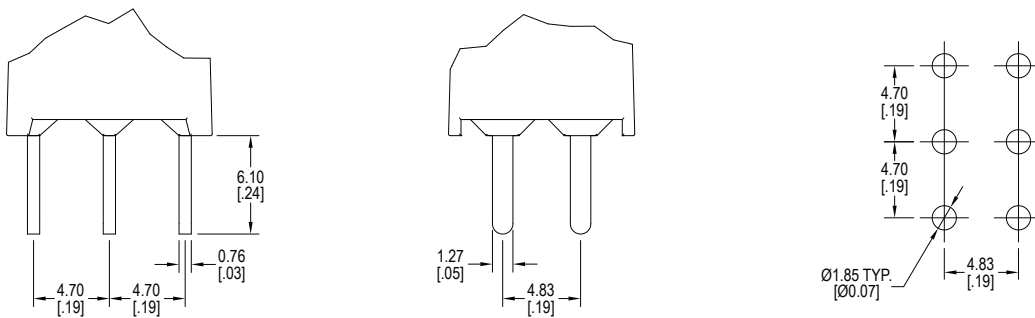


Panel Mounting

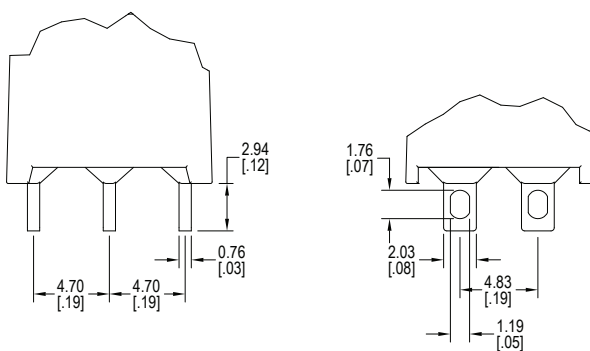


Terminal Options

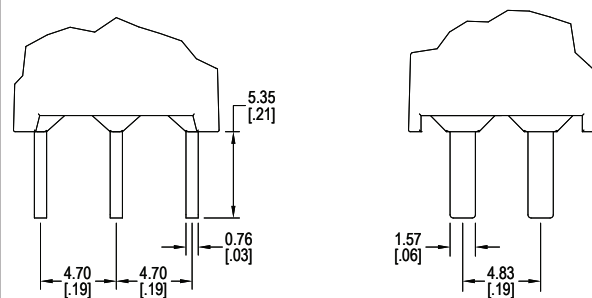
C



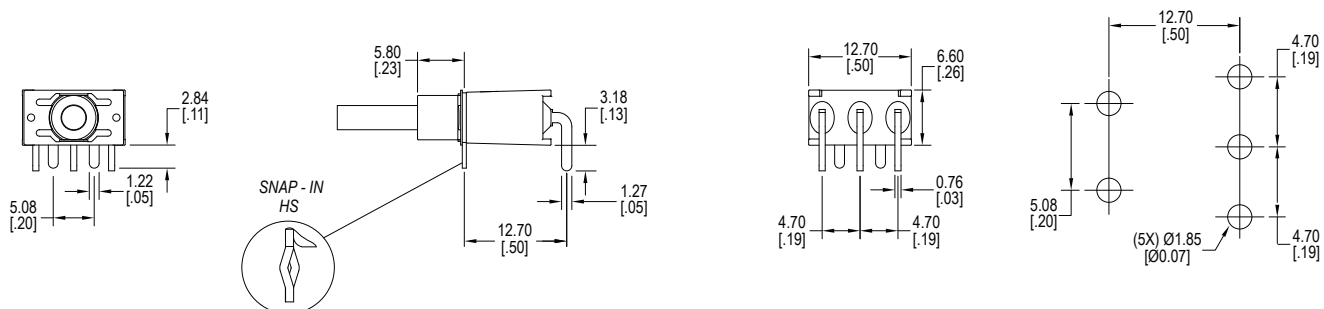
B



D

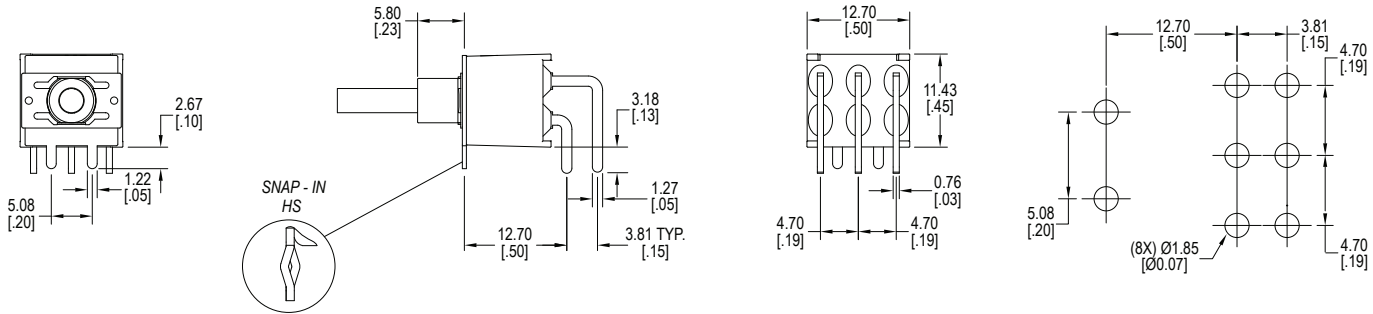


H (HS - Snap In) = Horizontal mount, right angle PC pins, single pole

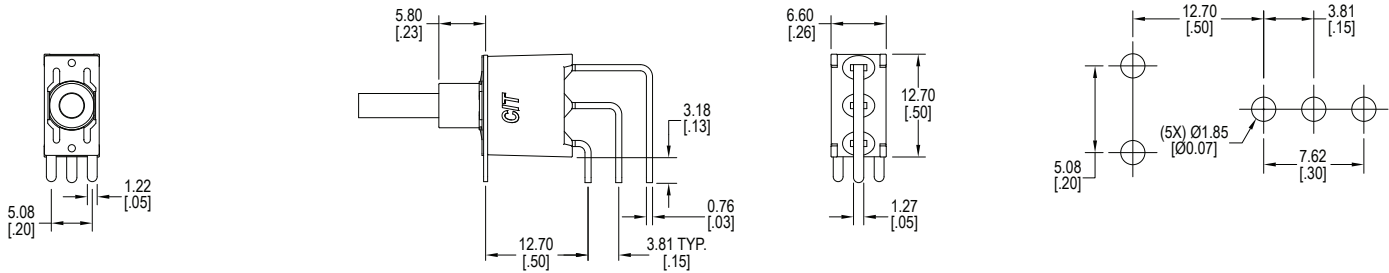


Terminal Options

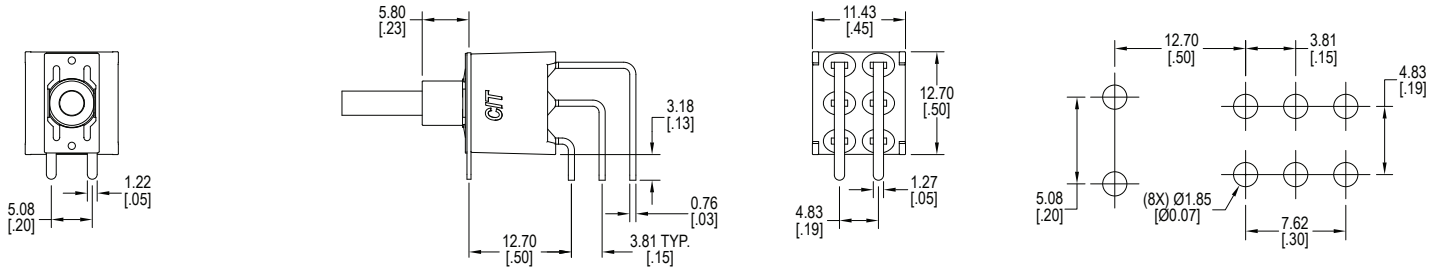
H (HS - Snap In) = Horizontal mount, right angle PC pins, double pole



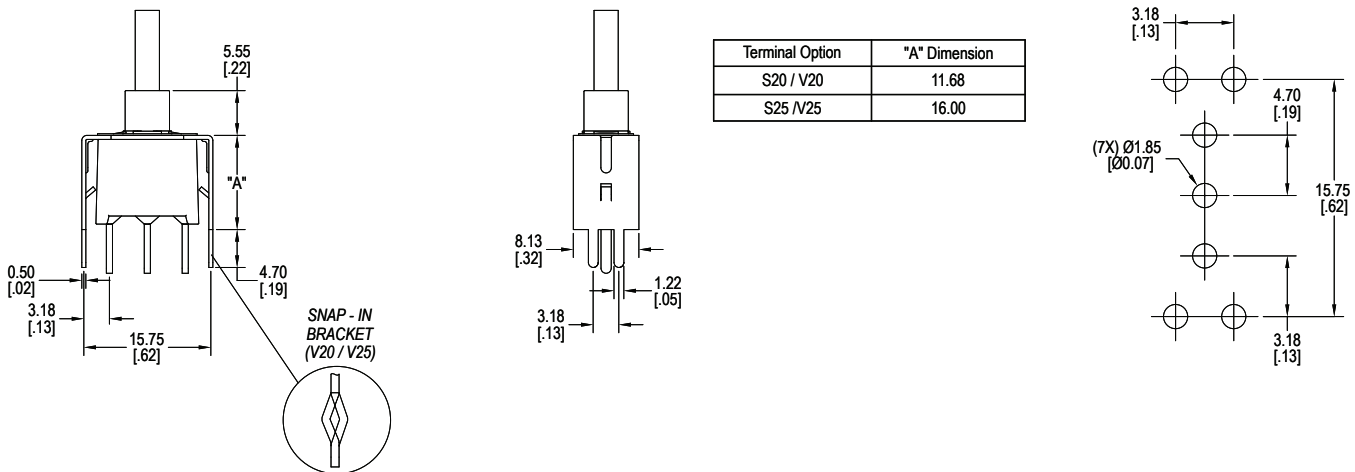
V = Vertical mount, right angle PC pins, single pole



V = Vertical mount, right angle PC pins, double pole

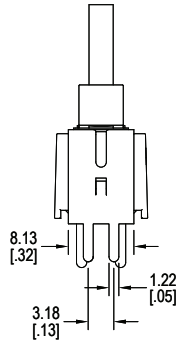
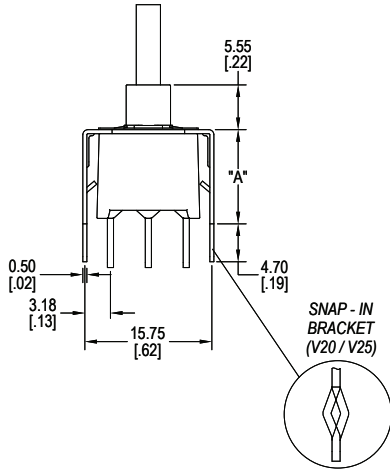


S20 / S25 (V20/V25 - Snap in bracket) = PC pins with support bracket, single pole

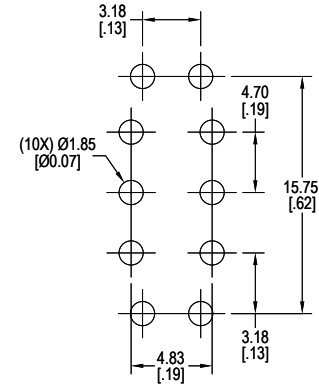


Terminal Options

S20 / S25 (V20/V25 - Snap in bracket) = PC pins with support bracket, double pole



Terminal Option	*A* Dimension
S20 / V20	11.68
S25 / V25	16.00

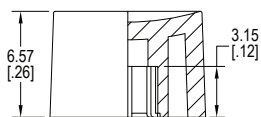
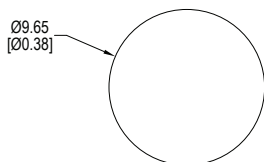


Contact Options

Designator	Contact Material	Terminal Material	Electrical Ratings
Q	Silver Plating	Gold over Silver Plating	3A @ 120VAC, 28VDC; 1A @ 250VAC
R	Gold over Nickel Plating	Gold over Nickel Plating	0.4VA max @ 20VAC or VDC max
G	Gold over Silver Plating	Gold over Silver Plating	0.4VA max @ 20VAC or VDC max or 3A @ 120VAC, 28VDC; 1A @ 250VAC

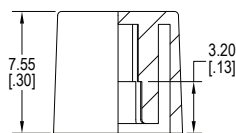
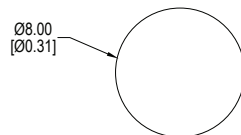
Cap Options

C73_



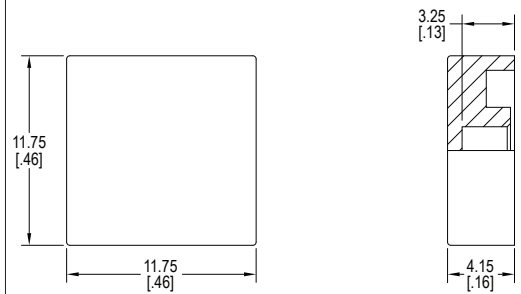
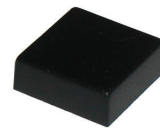
1 = White, 2 = Black, 3 = Red
Contact Factory for other available colors

C74_



1 = White, 2 = Black, 3 = Red
Contact Factory for other available colors

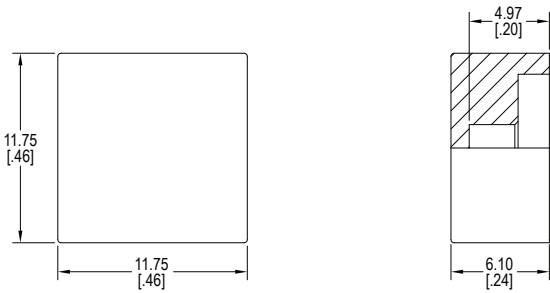
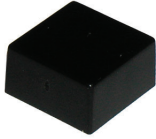
C75_



1 = White, 2 = Black, 3 = Red
Contact Factory for other available colors

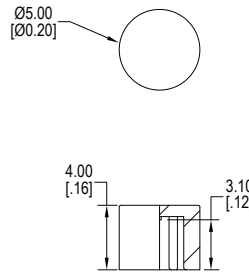
Cap Options

C76_



1 = White, 2 = Black, 3 = Red
Contact Factory for other available colors

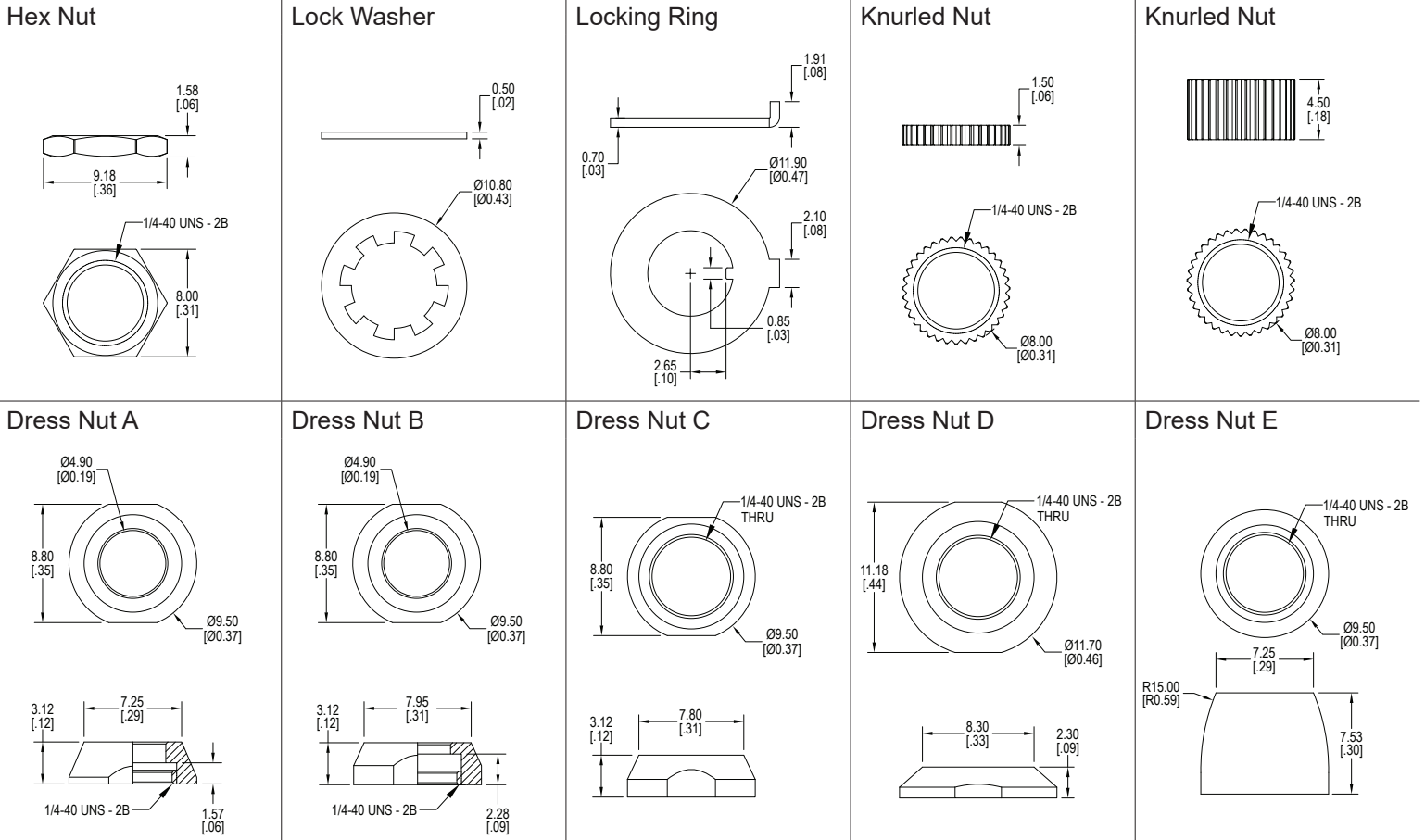
C77_



1 = White, 2 = Black, 3 = Red
Contact Factory for other available colors

Hardware

For use with E Bushing; Two hex nuts, one lock washer & one locking ring supplied standard with threaded bushings



Dimensions are shown for reference purposes only. Specifications and availability subject to change without notice. ASP Rev C 04/2026