

Specifications

Electrical Ratings	50mA @ 48VDC	Dielectric Strength	250Vrms min
Electrical Life	500,000 cycles typical	Insulation Resistance	≥100MΩ min
Contact Resistance	≤50mΩ initial	Operating Temperature	-40°C to 85°C
Actuation Force	200 ± 50gF 260 ± 50gF	Storage Temperature	-40°C to 85°C
Actuation Travel	.30 +0.2mm / -0.1mm	Quantity per reel	5.0mm = 800 pieces per pack 7.3mm = 800 pieces per pack

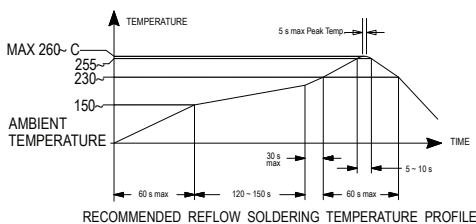
Materials

Actuator	Polybutylene Terephthalate (PBT)
Actuator Cover	6/6 Nylon
Switch Housing	Polybutylene Terephthalate (PBT)
Seal	Silicon Rubber
Contacts	Stainless Steel, Silver Plated
Terminals	Copper Alloy, Silver Plated

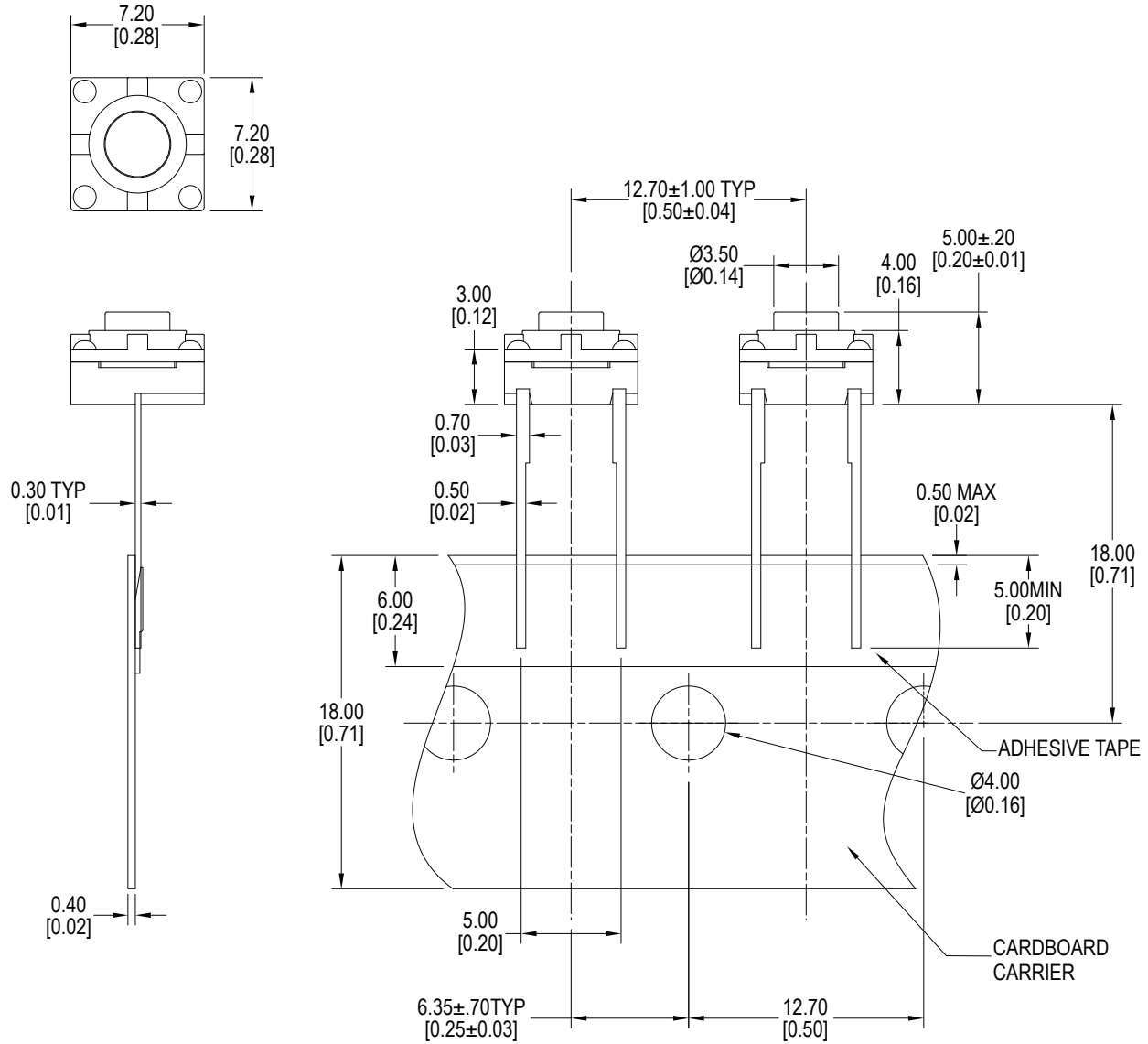
Ordering Information

1. Series	CR1104S	5.0	L	F200
CR1104S				
2. Actuator Height	5.0 = 5.0mm 7.0 = 7.0mm			
3. Contact Options	L = Stainless Steel dome			
4. Actuation Force	F200 = 200gF F260 = 260gF			

Recommended Reflow Soldering Diagram



Dimensions



Schematic & PC Layout

