


FEATURES

- 40 Amps Continuous Carrying Current
- Internal Diode or Resistor Option
- Sockets Available
- Fully Automated Assembly


CONTACT RATINGS

Contact Form		1A SPST N.O. 1C SPDT 1AA SPST N.O. (2 #87 Terminals)
Contact Rating	1A	40A @ 14VDC, resistive 20A @ 28VDC, resistive
	1C	40A @ 14VDC, resistive 20A @ 28VDC, resistive
	1AA	40A @ 14VDC, resistive 20A @ 28VDC, resistive

CHARACTERISTICS

Insulation Resistance	100 MΩ min. at 500 VDC
Dielectric Strength	500 Vrms, 50 Hz, between contacts 750 Vrms, 50 Hz, between coil & contacts
Power Consumption	1.6W, 1.9W, 2.3W
Terminal Strength	8N quick connect
Solderability	260°C 5 s ± 0.5 s
Operating Temperature	-40°C to 125°C
Storage Temperature	-40°C to 155°C
Shock Resistance	147 m/s ² 11 ms
Vibration Resistance	10-40Hz; 1.5mm double amplitude
Weight	31.0g

CONTACT DATA

Maximum Switching Power	560 W	
Maximum Switching Voltage	75 VDC	
Maximum Continuous Current	40 A	
Material	AgSnO ₂	
Initial Contact Resistance	30 mΩ max.	
Service Life	Mechanical	1 x 10 ⁷ operations
	Electrical	1 x 10 ⁵ operations

Values can change due to the switching frequency, desired reliability levels, environmental conditions, and in-rush current levels. It is recommended to test to actual load conditions for the application. It is the users responsibility to determine the performance suitability for their specific application. The use of any coil voltage less than the rated coil voltage may compromise the operation of the relay.

ORDERING INFORMATION

Example Model:	PC792B	-1C	-C	-12	S	1.9	-D	N	-X
Contact Form:	1A 1C 1AA								
Mounting Version:	C = Plug-In C1 = Plastic Bracket C2 = Metal Bracket C3 = Weatherproof Case with Metal Bracket* P = PC Pins <i>*only available sealed</i>								
Coil Voltage:	6 = 6VDC 9 = 9VDC 12 = 12VDC 24 = 24VDC 48 = 48VDC								
Enclosure:	C = Dust Cover S = Sealed S1 = Flux Tight (1)								
Coil Power:	Nil = 1.6W 1.9 = 1.9W 2.3 = 2.3W (2)								
Parallel Component:	Nil = None D = Diode D1 = Reverse Diode R = Resistor								
Terminal Plating:	Nil = PC Pin N = Tin Plated Terminals, standard on all Plug-In models								
RoHS Compliant:	-X								

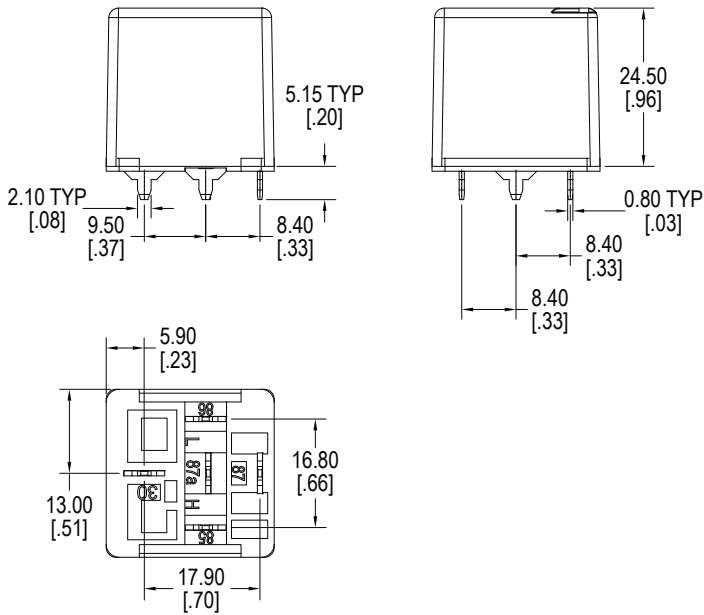
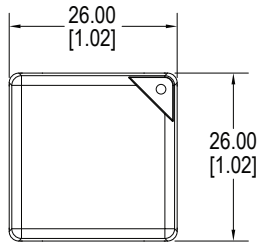
(1) Flux Tight relays are constructed such that Flux will not enter the relay in an automated soldering process, they are NOT suitable for water wash cleaning.
(2) Special coil - minimum order quantities apply.

COIL DATA

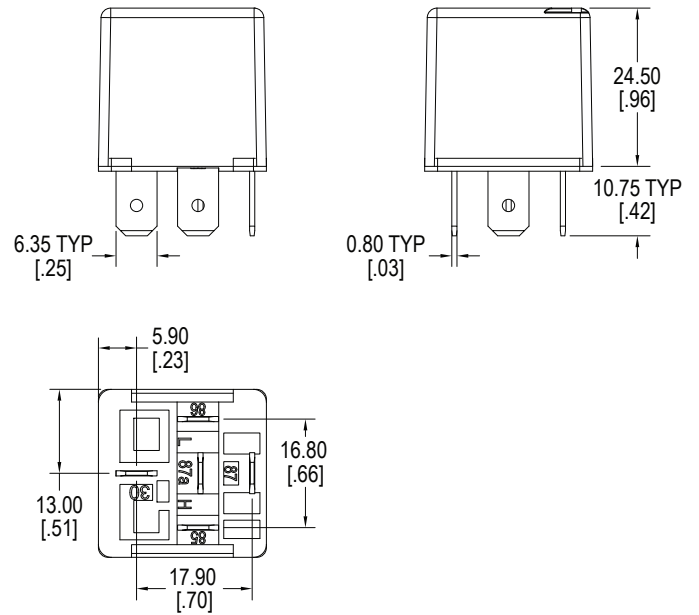
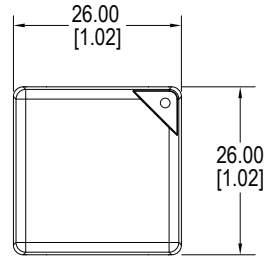
Coil Voltage		Resistance (Ohms \pm 10%)			Pick Up Voltage Max. VDC	Release Voltage Min. VDC	Coil Power W	Operate Time ms	Release Time ms
Rated	Maximum	1.6W	1.9W	2.3W					
6	7.8	22.5	19	15.6	3.9	0.6	1.6 1.9 2.3	≤ 10	≤ 10
9	11.7	50.6	n/a	n/a	5.9	0.9			
12	15.6	90	75.8	62.6	7.8	1.2			
24	31.2	360	303.2	250.4	15.6	2.4			
48	62.4	1440	n/a	n/a	31.2	4.8			

DIMENSIONS mm (inches)

Standard with PC Pins (P)

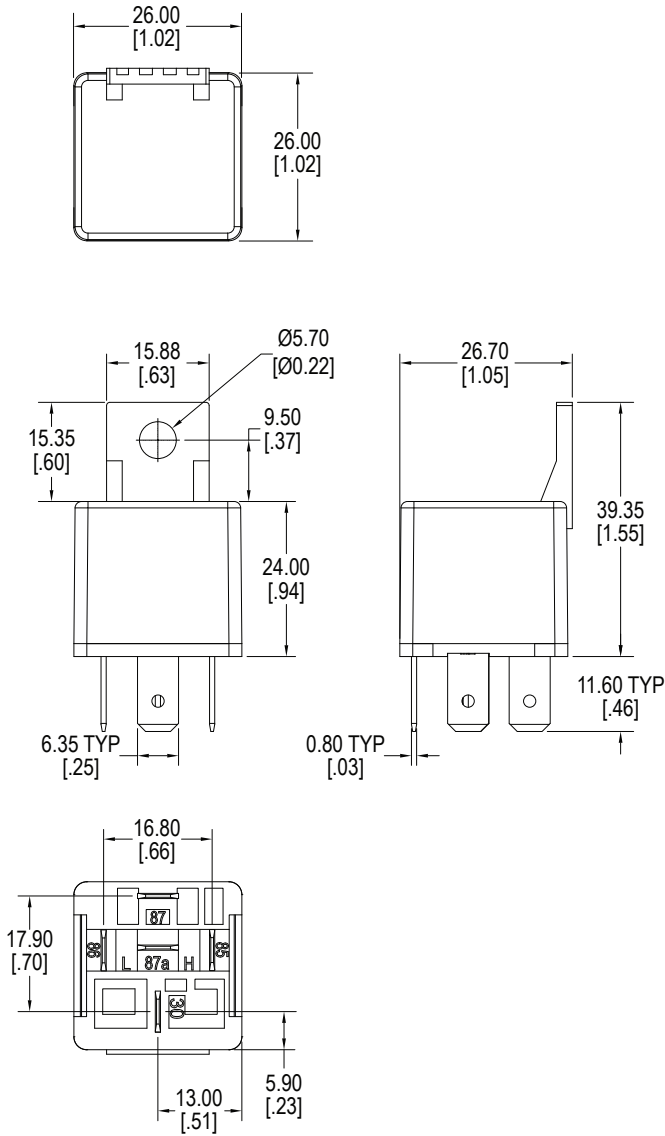


Standard with Quick Connect (C)

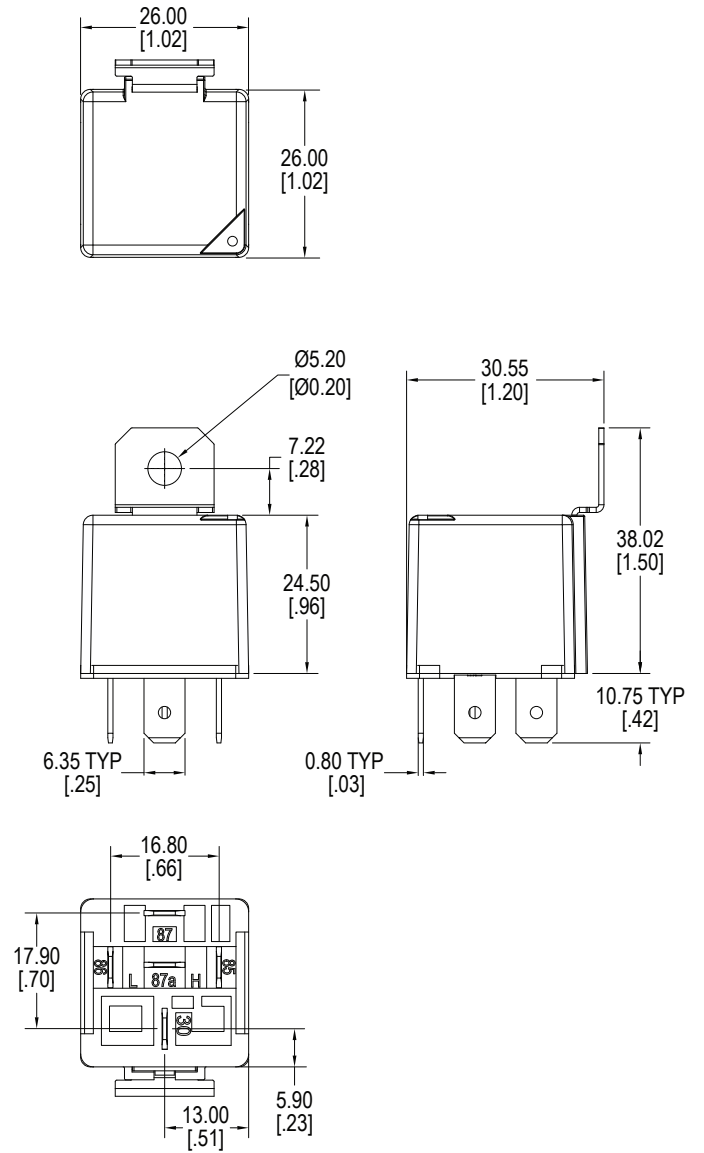


DIMENSIONS mm (inches)

Quick Connect with Plastic Bracket (C1)

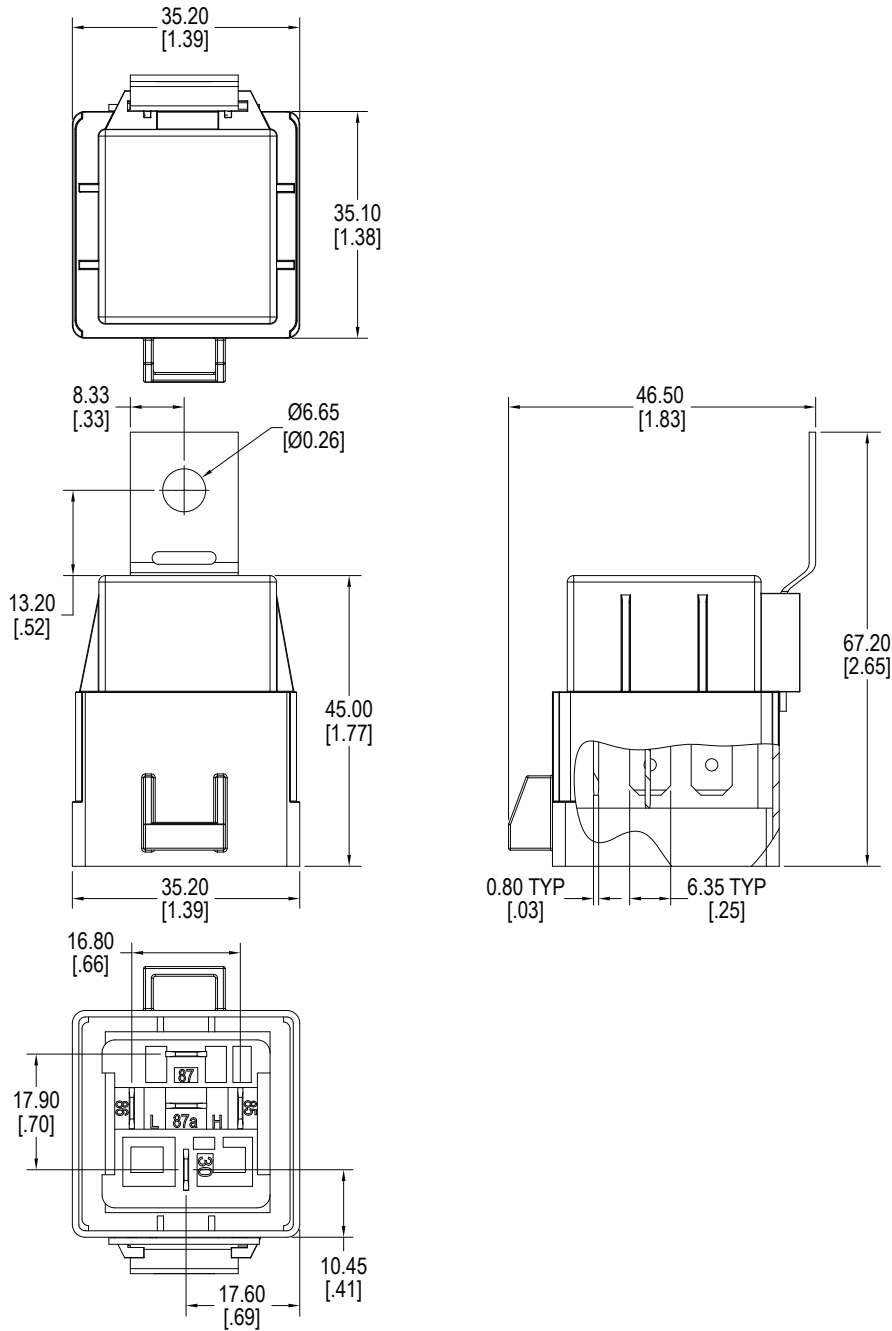


Quick Connect with Metal Bracket (C2)



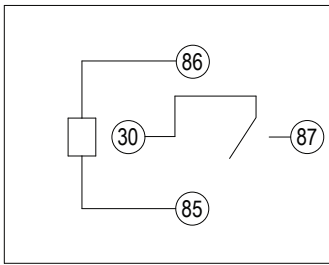
DIMENSIONS mm (inches)

Quick Connect with Weatherproof Shroud (C3)

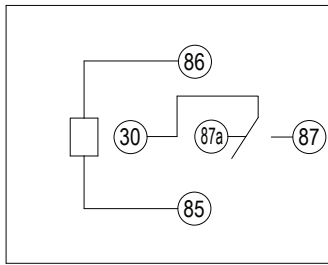


SCHEMATICS *Bottom Views*

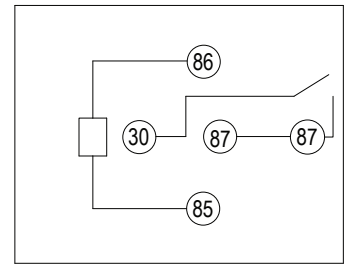
1A



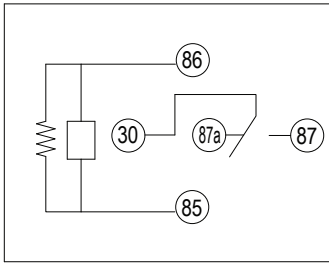
1C



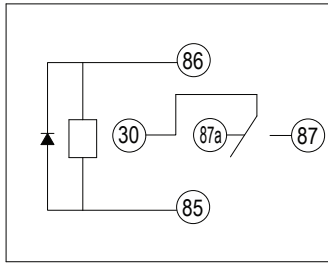
1AA



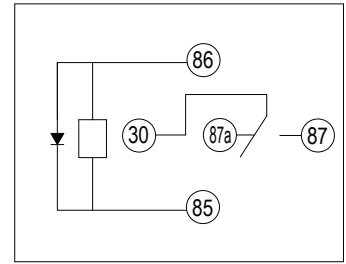
1C with Resistor



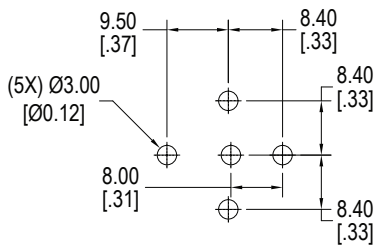
1C with Diode



1C with Reverse Diode



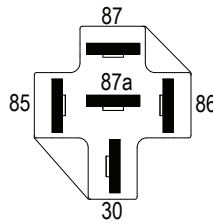
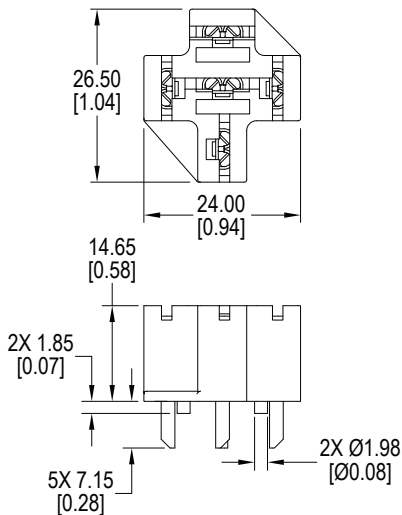
PC LAYOUT



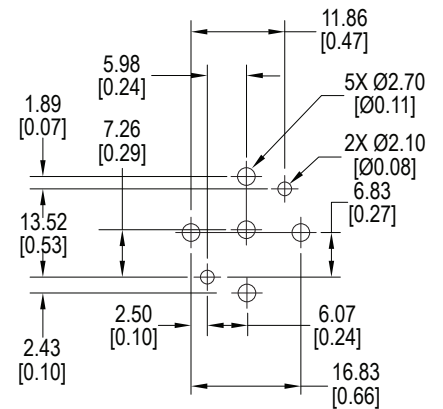
Sockets

Units = mm

RS2105



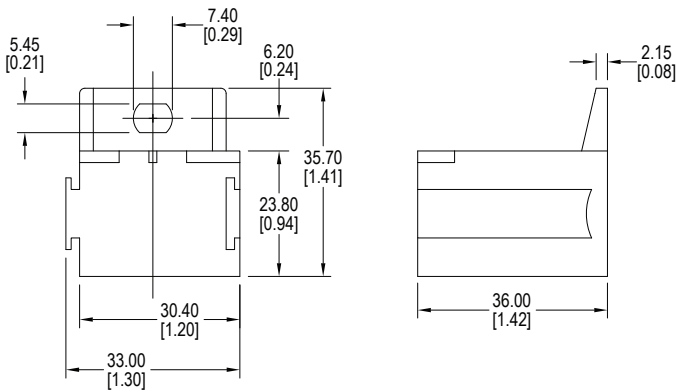
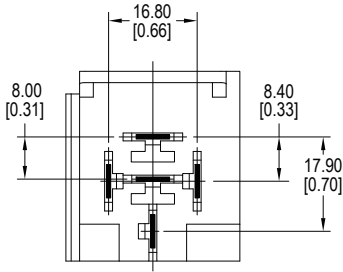
Schematic



Sockets

Units = mm

RS2200

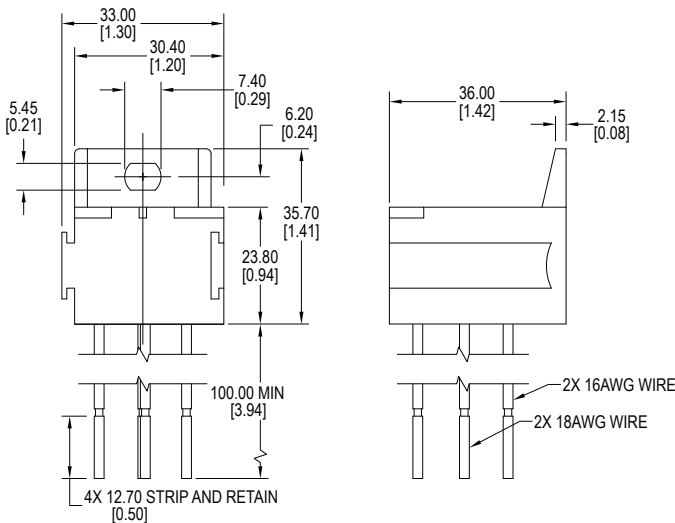
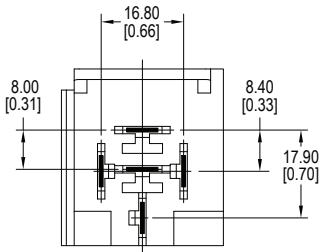


Metal Crimp Terminal Compatibility

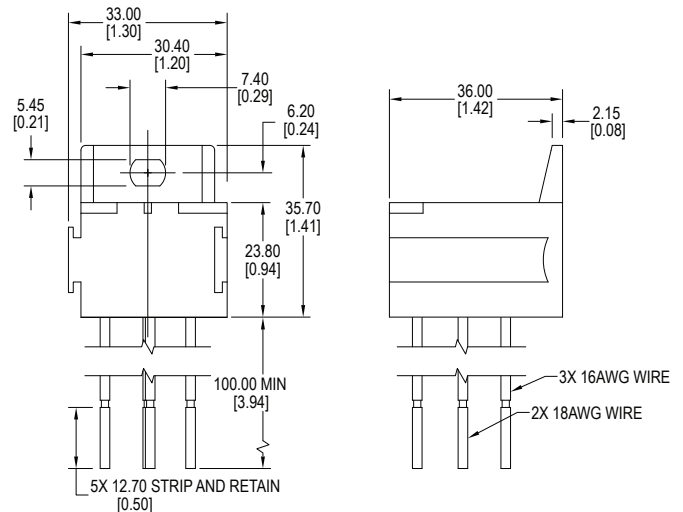
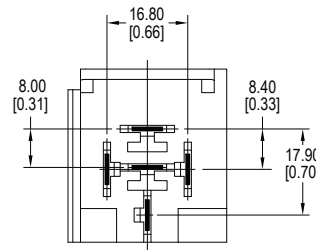
Mfr.	Part Number	Wire AWG	Blade
TE	42100	14-18	1/4"
TE	42281	14-18	1/4"
TE	42904	12-16	1/4"
TE	60249	12-16	1/4"
TE	60253	12-14	1/4"

CIT Relay & Switch references these female quick connect terminals to be used with our automotive sockets. Current capability of the terminals depends on the gauge of the wire used, the quality of the crimp, the addition of solder or a weld, operating conditions, ambient temperature, and so forth. Terminals to be purchased separately from the manufacturer.

RS2214



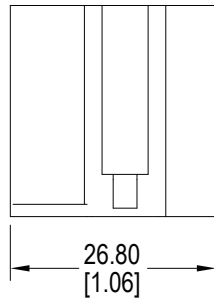
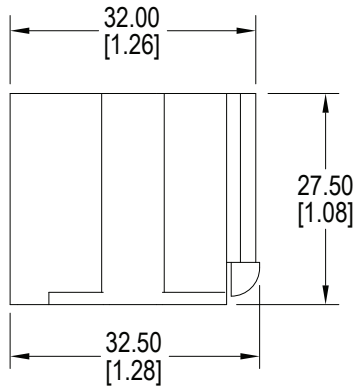
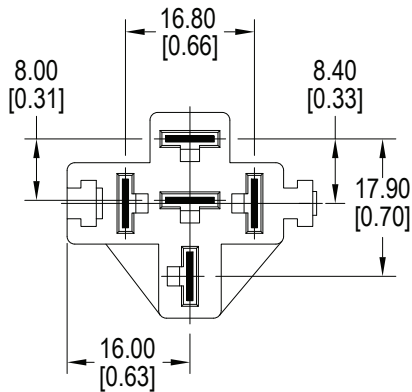
RS2215



Sockets

Units = mm

RS2300



Metal Crimp Terminal Compatibility

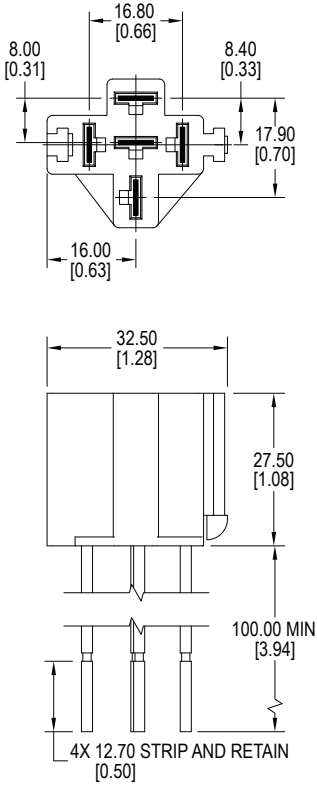
Mfr.	Part Number	Wire AWG	Blade
TE	42100	14-18	1/4"
TE	42281	14-18	1/4"
TE	42904	12-16	1/4"
TE	60249	12-16	1/4"
TE	60253	12-14	1/4"

CIT Relay & Switch references these female quick connect terminals to be used with our automotive sockets. Current capability of the terminals depends on the gauge of the wire used, the quality of the crimp, the addition of solder or a weld, operating conditions, ambient temperature, and so forth. Terminals to be purchased separately from the manufacturer.

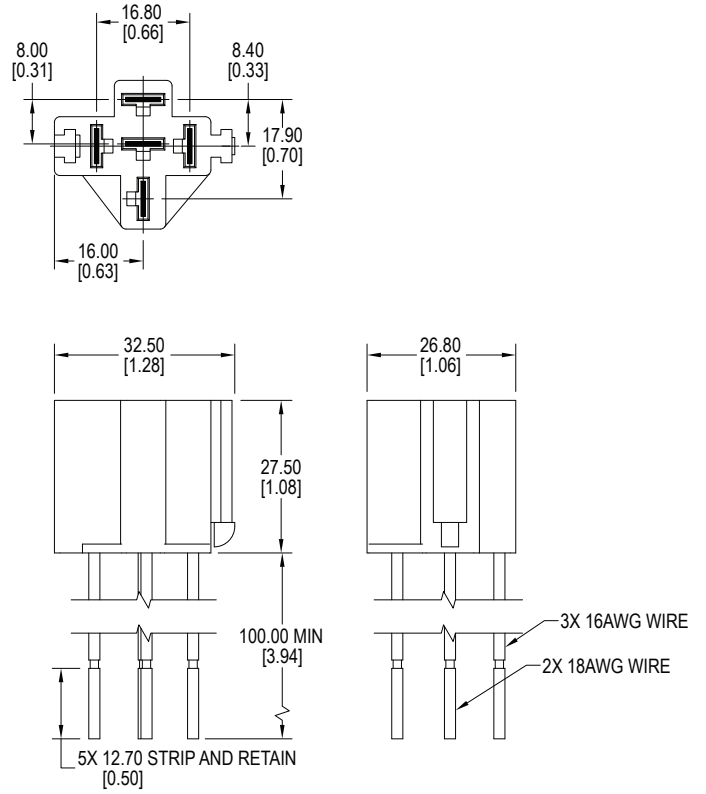
Sockets

Units = mm

RS2314

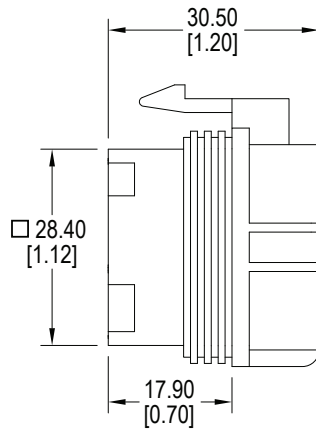
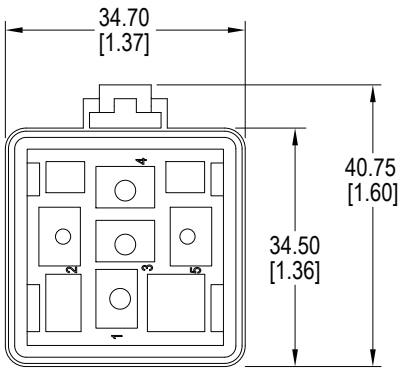


RS2315



SOCKETS

RS2400

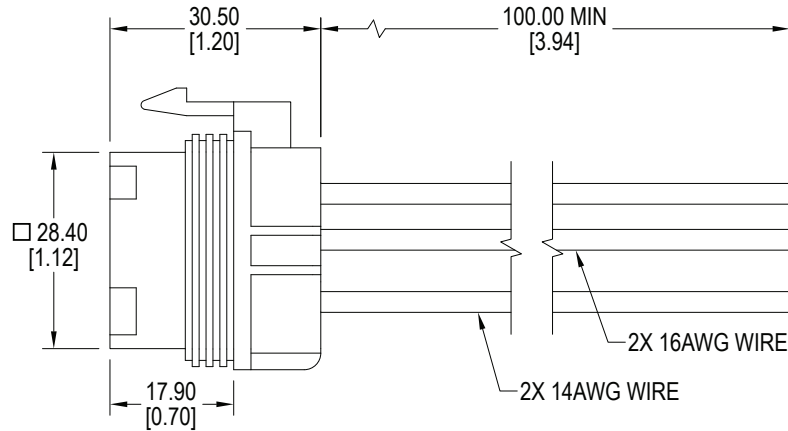
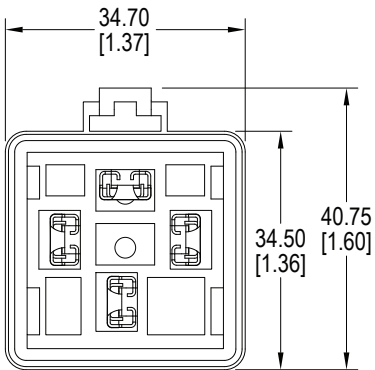


Metal Crimp Terminal Compatibility

Mfr.	Part Number	Wire AWG	Blade
Aptiv	12066614	14-17	1/4"
Aptiv	12020156	1.87-3.13mm	1/4"
Aptiv	12176854	10-12	1/4"
Aptiv	12033997	2.94-3.68mm	1/4"

CIT Relay & Switch references these female quick connect terminals to be used with our automotive sockets. Current capability of the terminals depends on the gauge of the wire used, the quality of the crimp, the addition of solder or a weld, operating conditions, ambient temperature, and so forth. Terminals to be purchased separately from the manufacturer.

RS2414



RS2415

