


FEATURES

- 50 Amps Continuous Carrying Current
- Internal Diode or Resistor Option
- Plastic or Metal Bracket Options
- Sockets Available


CONTACT RATINGS

Contact Form		1A SPST NO 1C SPDT 1U NO
Contact Rating	1A	50A @ 14VDC, resistive 25A @ 28VDC, resistive
	1C	NO 50A @ 14VDC, resistive NC 40A @ 14VDC, resistive NO 25A @ 28VDC, resistive NC 20A @ 14VDC, resistive
	1U	2x25A @ 14VDC, resistive 2x12.5A @ 28VDC, resistive

CHARACTERISTICS

Insulation Resistance	100 MΩ min. at 500 VDC
Dielectric Strength	50 Hz 500Vrms, between contacts 50 Hz 500Vrms, between coil & contacts
Shock Resistance	147 m/s ² 11 ms
Vibration Resistance	10-40Hz double amplitude 1.5mm
Terminal Strength	8N quick connect, 4N PC pins
Solderability	260°C 5 s ± 0.5 s
Power Consumption	1.8W standard, 2.3W optional
Operating Temperature	-40°C to 125°C
Storage Temperature	-40°C to 155°C
Relative Humidity	85% at 40°C
Weight	46g, 48g with metal bracket

CONTACT DATA

Maximum Switching Power	700 W
Maximum Switching Voltage	75 VDC
Maximum Continuous Current	1A: 50 A 1C: 40A 1U: 2 x 25A
Material	AgSnO ₂
Initial Contact Resistance	30 mΩ max.
Service Life	Mechanical 1 x 10 ⁷ operations Electrical 1 x 10 ⁵ operations

Values can change due to the switching frequency, desired reliability levels, environmental conditions, and in-rush current levels. It is recommended to test to actual load conditions for the application. It is the user's responsibility to determine the performance suitability for their specific application. The use of any coil voltage less than the rated coil voltage may compromise the operation of the relay.

ORDERING INFORMATION

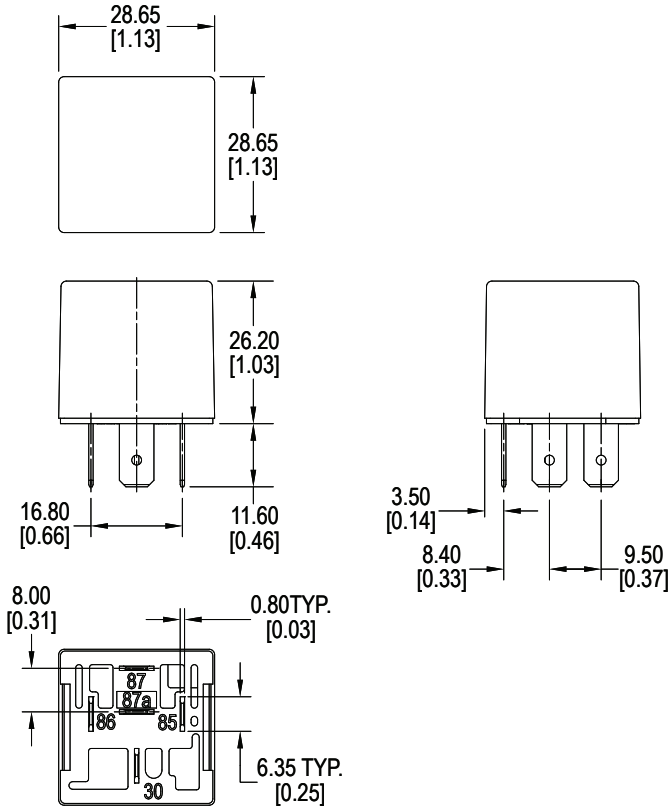
Example Model:	PC792C	-1C	-C1	-12	C	2.3	-D	N	-X
Contact Form:	1A 1C 1U								
Mounting Version:	C = Plug-In C1 = Plastic Bracket C2 = Metal Bracket P = PC Pins								
Coil Voltage:	6 = 6VDC 12 = 12VDC 24 = 24VDC								
Enclosure:	C = Dust Cover								
Coil Power:	Nil = 1.8W 2.3 = 2.3W ⁽¹⁾								
Parallel Component:	Nil = None D = Diode R = Resistor								
Terminal Plating:	Nil = PC Pin N = Tin Plated Terminals, standard on all Plug-In models								
RoHS Compliant:	-X								

(1) Special coil, minimum order quantities apply

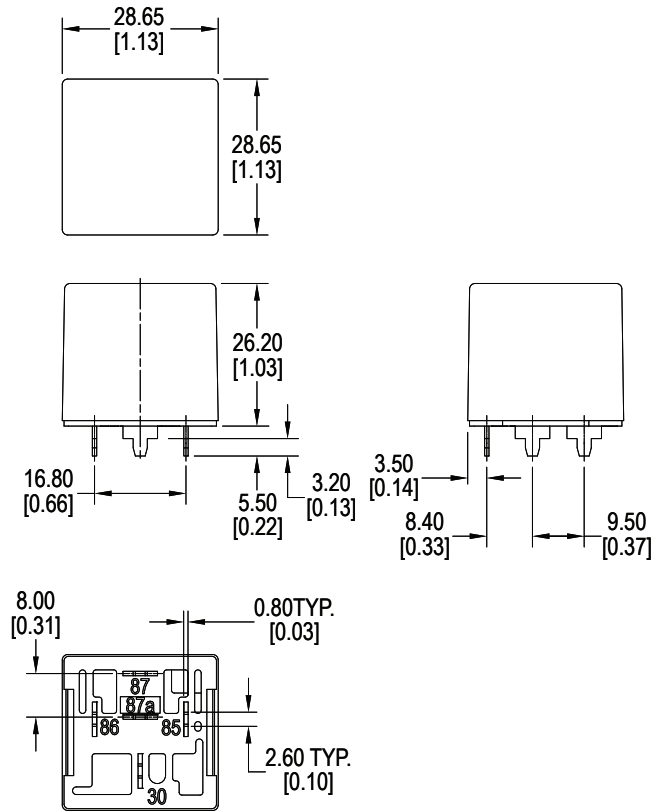
COIL DATA

Coil Voltage		Resistance (Ohms ± 10%)		Pick Up Voltage Max. VDC	Release Voltage Min. VDC	Coil Power W	Operate Time ms	Release Time ms
Rated	Maximum	1.8W	2.3W					
6	7.8	20	16	3.9	0.6	1.8 2.3	≤10	≤10
12	15.6	80	63	7.8	1.2			
24	31.2	320	250	15.6	2.4			

DIMENSIONS mm (inches)

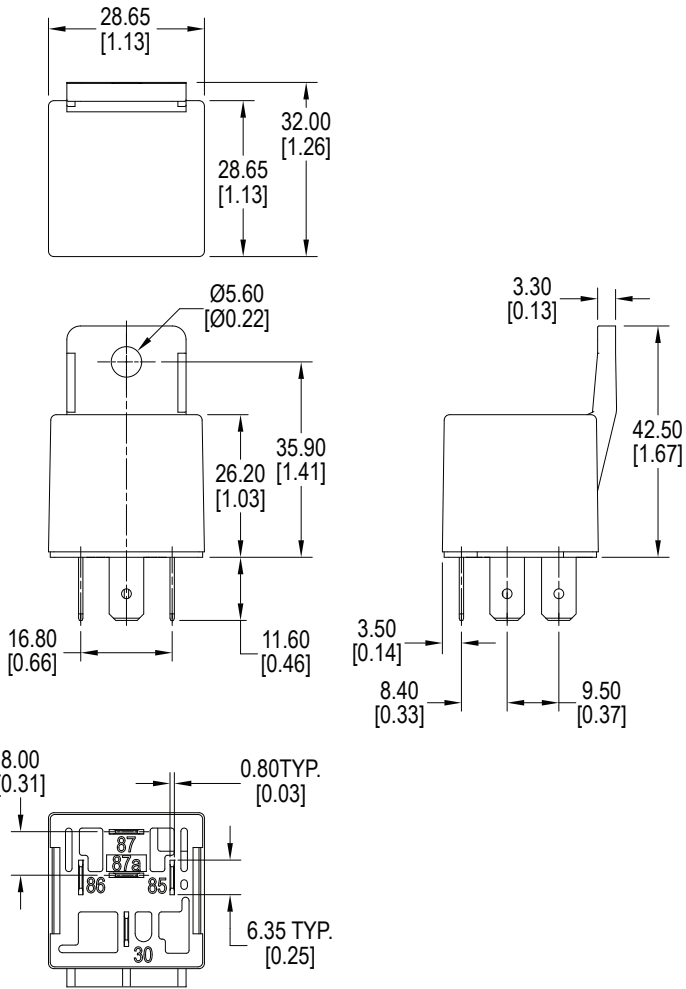


Standard with Quick Connect (C)

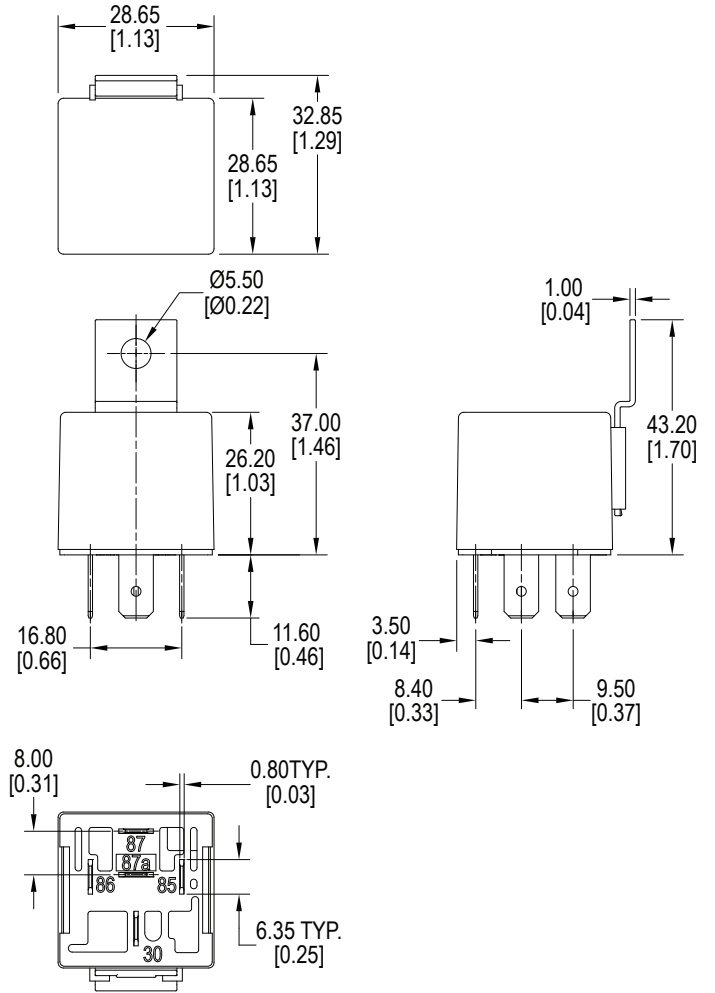


Standard with PC Pins (P)

DIMENSIONS mm (inches)

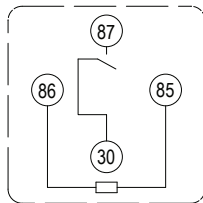


Quick Connect with Plastic Bracket (C1)

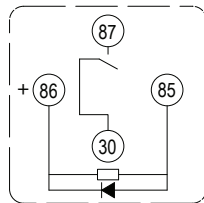


Quick Connect with Metal Bracket (C2)

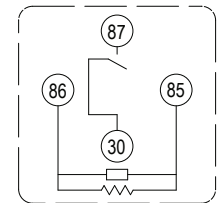
SCHEMATICS Bottom Views



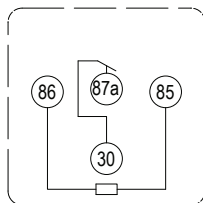
1A



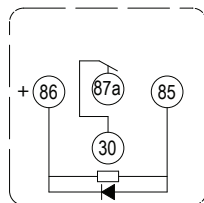
1A with Diode



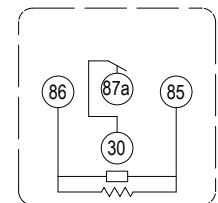
1A with Resistor



1B

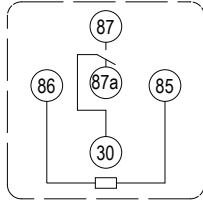


1B with Diode

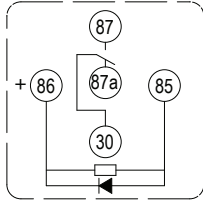


1B with Resistor

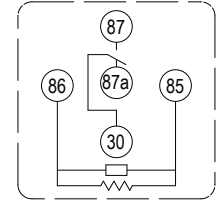
SCHEMATICS *Bottom Views*



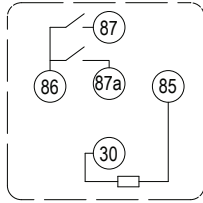
1C



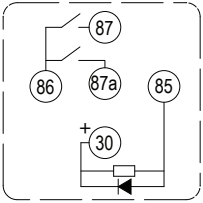
1C with Diode



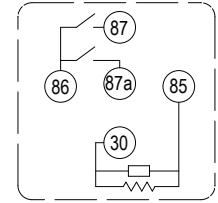
1C with Resistor



1U

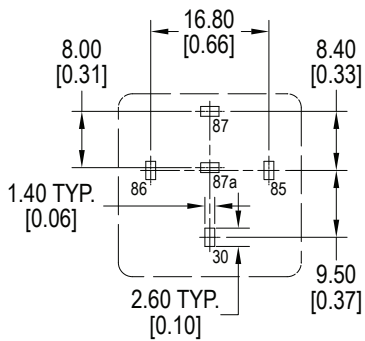


1U with Diode



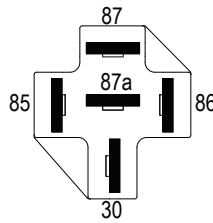
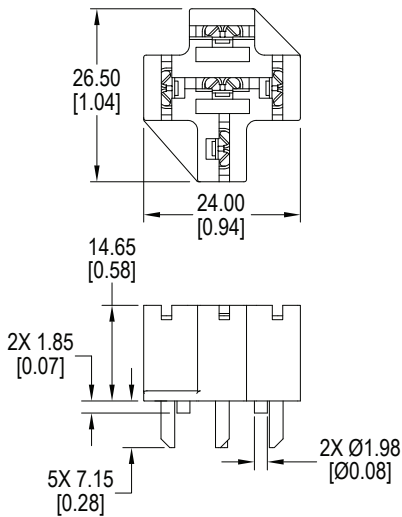
1U with Resistor

PC LAYOUT

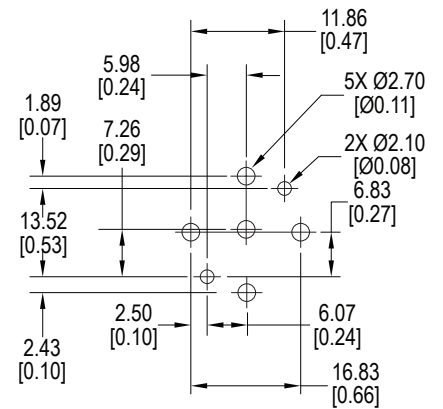


SOCKETS

RS2105

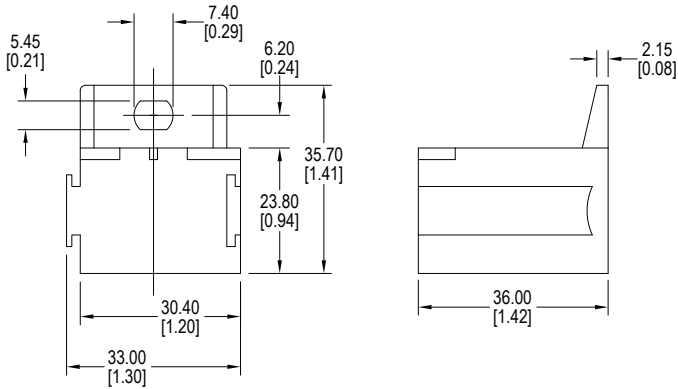
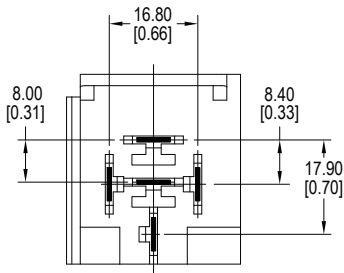


Schematic



SOCKETS

RS2200

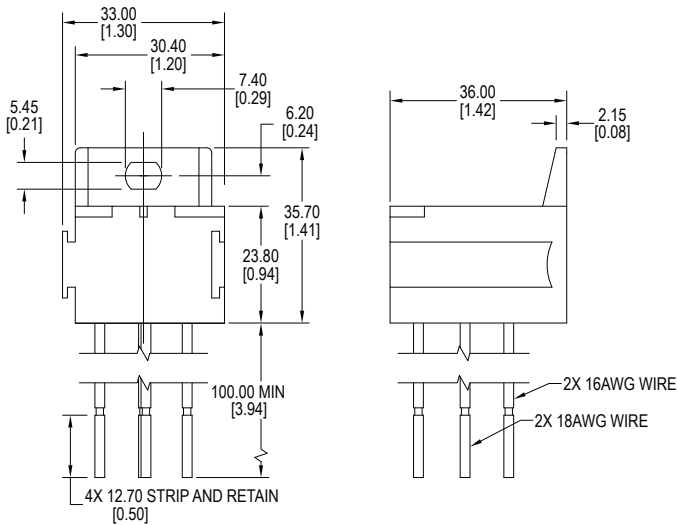
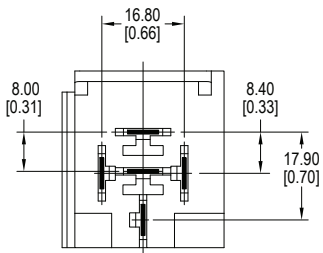


Metal Crimp Terminal Compatibility

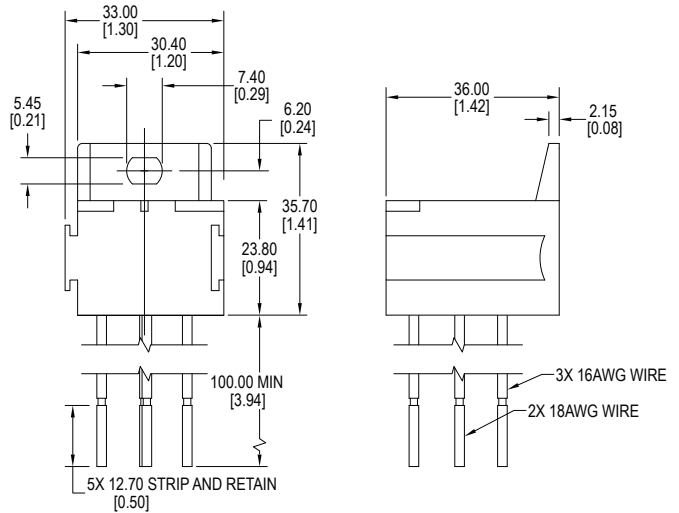
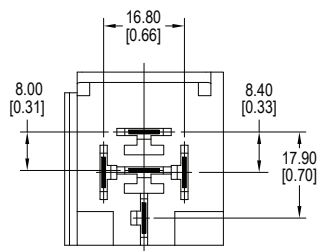
Mfr.	Part Number	Wire AWG	Blade
TE	42100	14-18	1/4"
TE	42281	14-18	1/4"
TE	42904	12-16	1/4"
TE	60249	12-16	1/4"
TE	60253	12-14	1/4"

CIT Relay & Switch references these female quick connect terminals to be used with our automotive sockets. Current capability of the terminals depends on the gauge of the wire used, the quality of the crimp, the addition of solder or a weld, operating conditions, ambient temperature, and so forth. Terminals to be purchased separately from the manufacturer.

RS2214

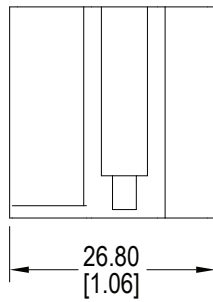
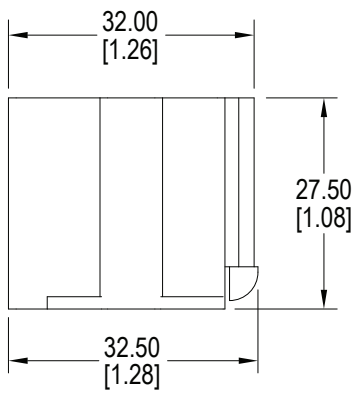
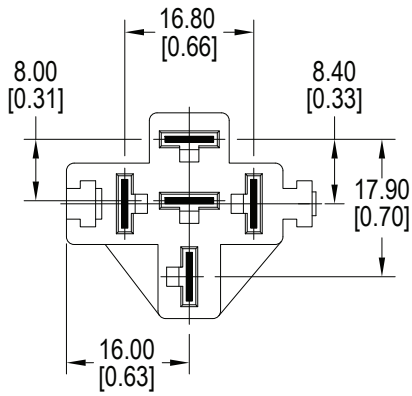


RS2215



SOCKETS

RS2300



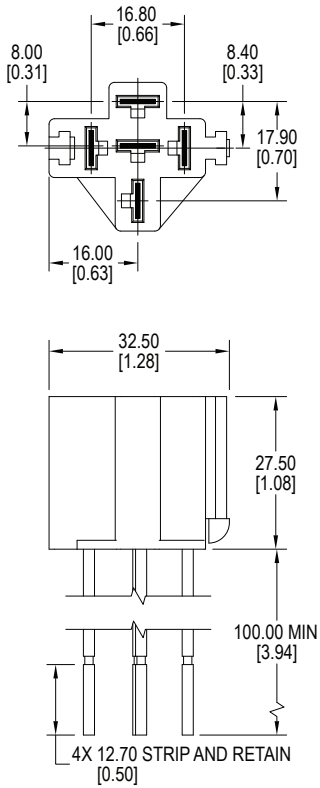
Metal Crimp Terminal Compatibility

Mfr.	Part Number	Wire AWG	Blade
TE	42100	14-18	1/4"
TE	42281	14-18	1/4"
TE	42904	12-16	1/4"
TE	60249	12-16	1/4"
TE	60253	12-14	1/4"

CIT Relay & Switch references these female quick connect terminals to be used with our automotive sockets. Current capability of the terminals depends on the gauge of the wire used, the quality of the crimp, the addition of solder or a weld, operating conditions, ambient temperature, and so forth. Terminals to be purchased separately from the manufacturer.

SOCKETS

RS2314



RS2315

