


FEATURES

- 50 Amps Continuous Carrying Current
- Internal Diode or Resistor Option
- Sockets Available


CONTACT RATINGS

Contact Form	1A SPST N.O. 1C SPDT
Contact Rating	1A 50A @ 14VDC, resistive 20A @ 28VDC, resistive 1C NO 50A @ 14VDC, resistive NC 40A @ 14VDC, resistive NO 20A @ 28VDC, resistive NC 15A @ 28VDC, resistive

CHARACTERISTICS

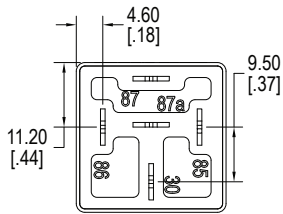
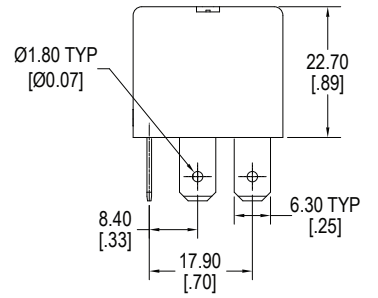
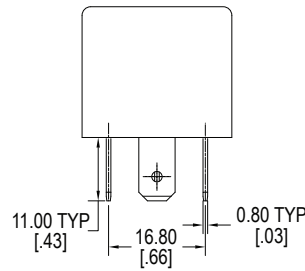
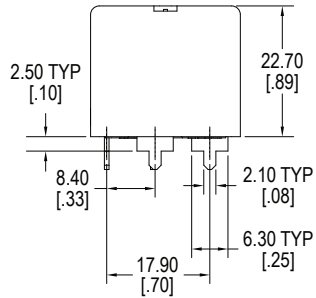
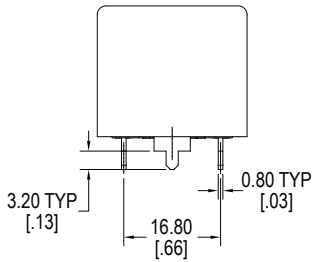
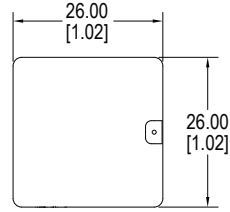
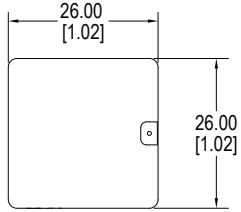
Insulation Resistance	100 MΩ min. at 500 VDC
Dielectric Strength	500 Vrms, 50 Hz, between contacts 750 Vrms, 50 Hz, between coil & contacts
Power Consumption	1.6W
Terminal Strength	8N quick connect, 4N PCB pins
Solderability	260°C 5 s ± 0.5 s
Operating Temperature	-40°C to 125°C
Storage Temperature	-40°C to 155°C
Shock Resistance	294 m/s ² 11 ms
Vibration Resistance	10mm double amplitude 10-22.3Hz
Weight	35.0g

CONTACT DATA

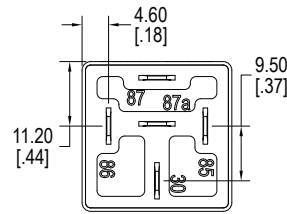
Maximum Switching Power	700 W
Maximum Switching Voltage	75 VDC
Maximum Continuous Current	50 A
Material	AgSnO ₂
Initial Contact Resistance	50 mΩ max.
Service Life	Mechanical 1 x 10 ⁷ operations Electrical 1 x 10 ⁵ operations

Values can change due to the switching frequency, desired reliability levels, environmental conditions, and in-rush current levels. It is recommended to test to actual load conditions for the application. It is the users responsibility to determine the performance suitability for their specific application. The use of any coil voltage less than the rated coil voltage may compromise the operation of the relay.

DIMENSIONS mm (inches)

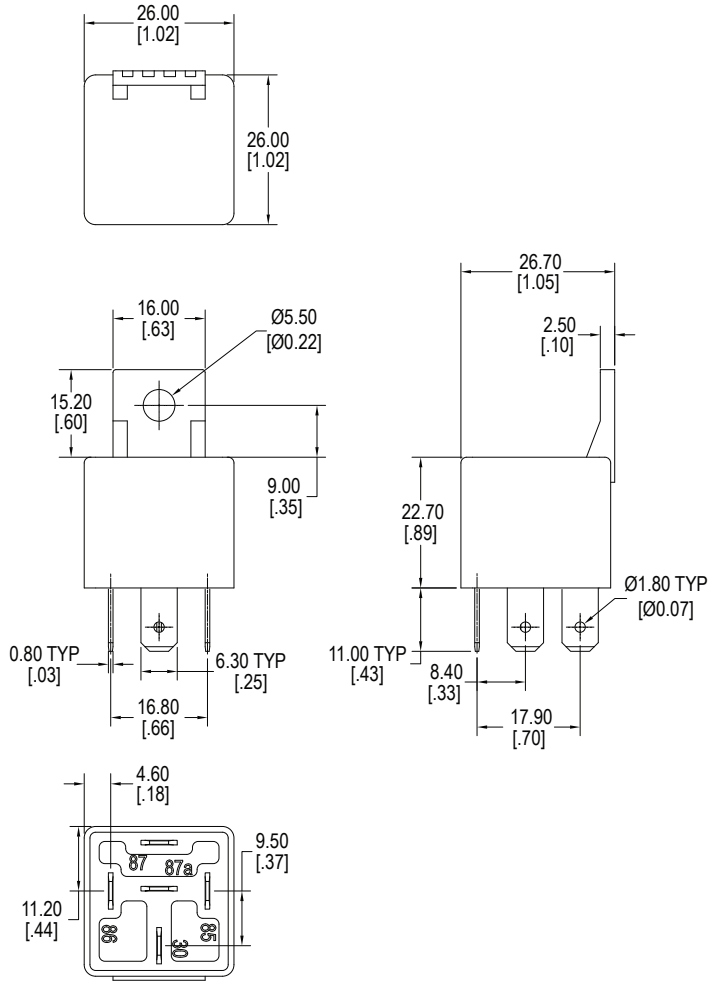


Standard with PC Pins (P)

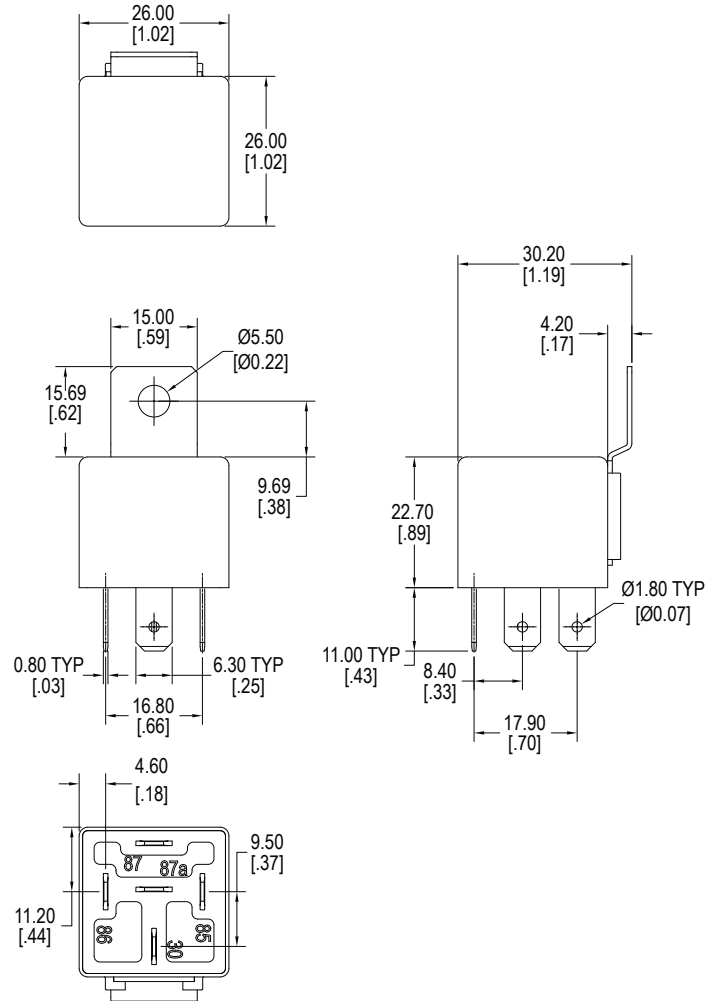


Standard with Quick Connect (C)

DIMENSIONS mm (inches)

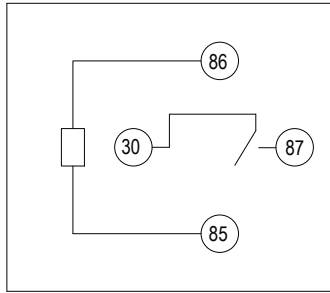


Quick Connect with Plastic Bracket

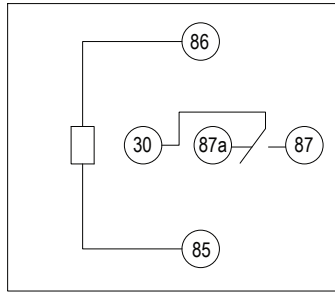


Quick Connect with Metal Bracket

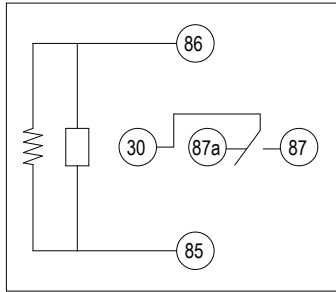
SCHEMATICS *Bottom Views*



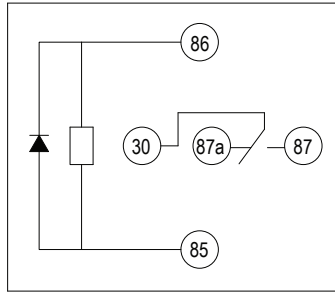
1A



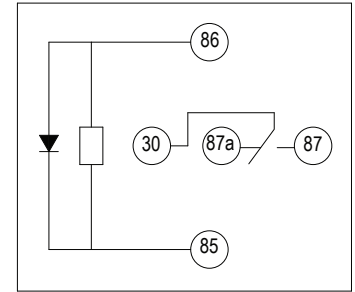
1C



1C with Resistor

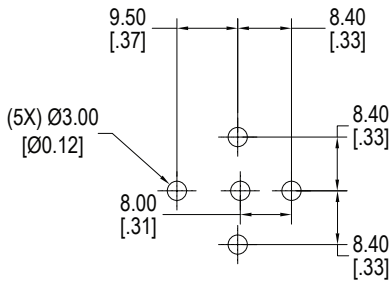


1C with Diode



1C with Reverse Diode

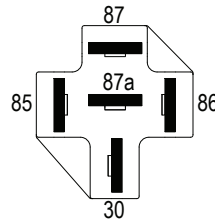
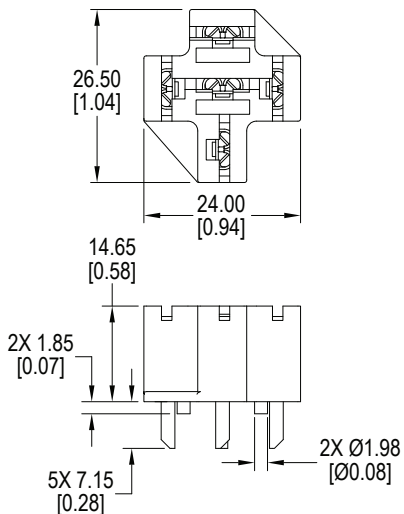
PC LAYOUT



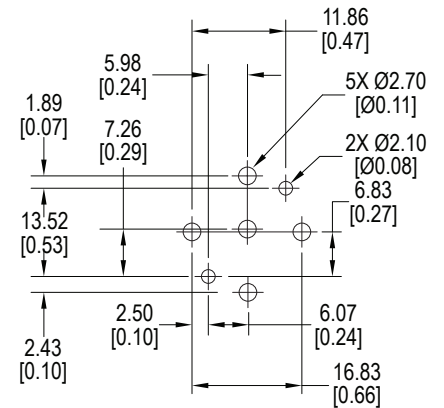
SOCKETS

Units = mm

RS2105



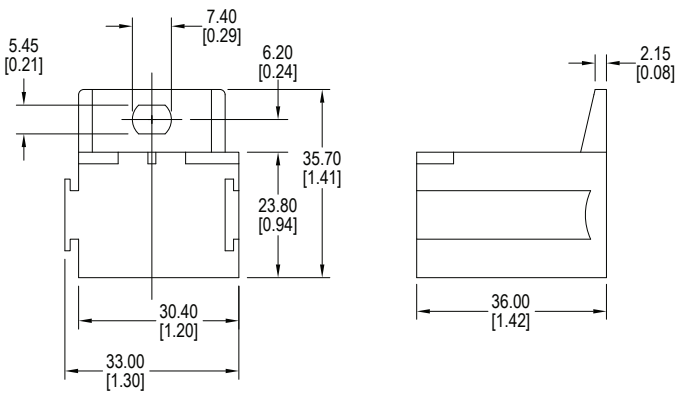
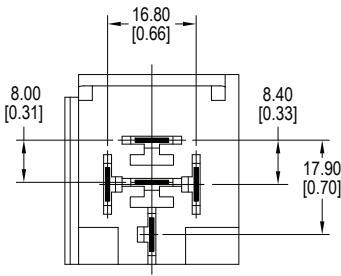
Schematic



SOCKETS

Units = mm

RS2200

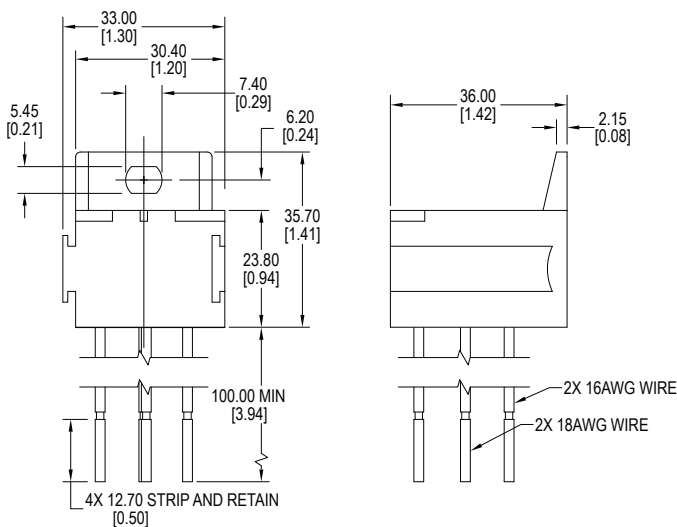
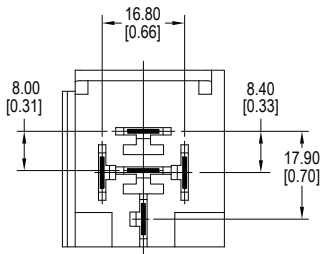


Metal Crimp Terminal Compatibility

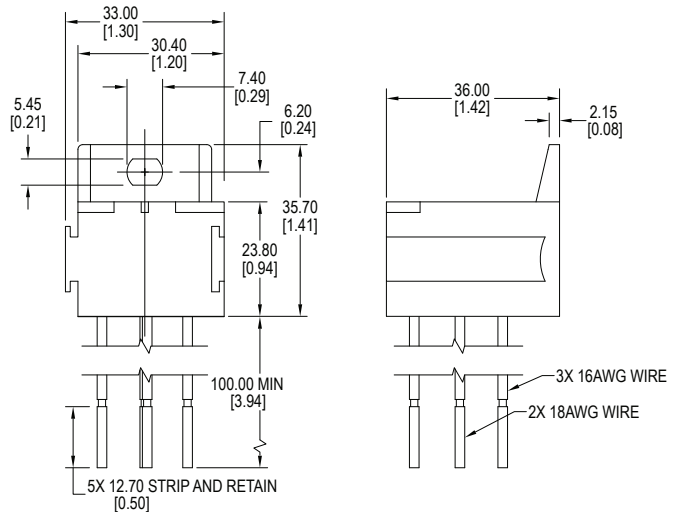
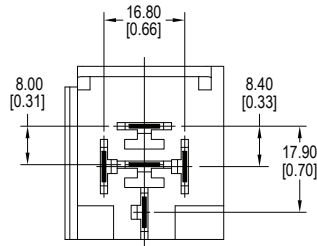
Mfr.	Part Number	Wire AWG	Blade
TE	42100	14-18	1/4"
TE	42281	14-18	1/4"
TE	42904	12-16	1/4"
TE	60249	12-16	1/4"
TE	60253	12-14	1/4"

CIT Relay & Switch references these female quick connect terminals to be used with our automotive sockets. Current capability of the terminals depends on the gauge of the wire used, the quality of the crimp, the addition of solder or a weld, operating conditions, ambient temperature, and so forth. Terminals to be purchased separately from the manufacturer.

RS2214



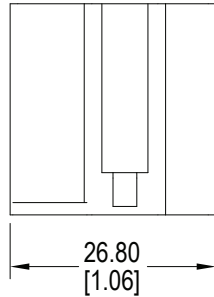
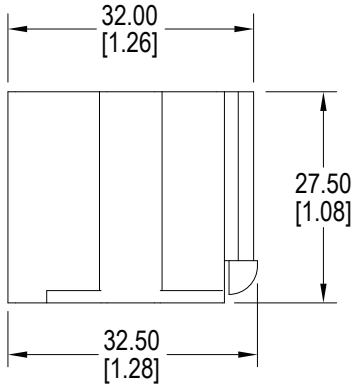
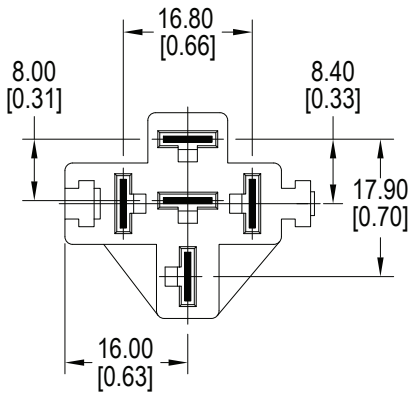
RS2215



SOCKETS

Units = mm

RS2300



Metal Crimp Terminal Compatibility

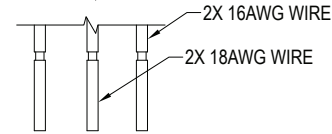
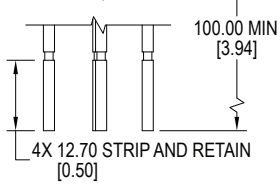
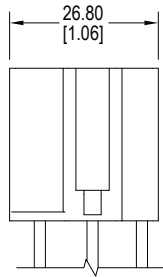
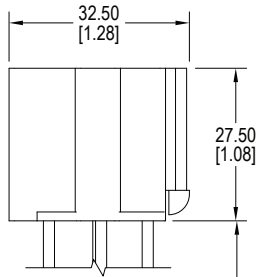
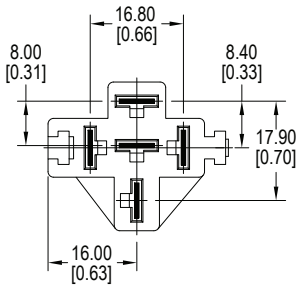
Mfr.	Part Number	Wire AWG	Blade
TE	42100	14-18	1/4"
TE	42281	14-18	1/4"
TE	42904	12-16	1/4"
TE	60249	12-16	1/4"
TE	60253	12-14	1/4"

CIT Relay & Switch references these female quick connect terminals to be used with our automotive sockets. Current capability of the terminals depends on the gauge of the wire used, the quality of the crimp, the addition of solder or a weld, operating conditions, ambient temperature, and so forth. Terminals to be purchased separately from the manufacturer.

SOCKETS

Units = mm

RS2314



RS2315

